



SLOVENSKI STANDARD
SIST ISO 8759-1:2020

01-november-2020

Kmetijski traktorji - Spredaj nameščena oprema - 1. del: Priključna gred: varnostne zahteve in območje nihanja okoli PTO

Agricultural tractors - Front-mounted equipment - Part 1: Power take-off: Safety requirements and clearance zone around PTO

iTeh STANDARD PREVIEW

Tracteurs agricoles - Équipement monté à l'avant

(standards.iteh.ai)

Ta slovenski standard je istoveten z: ~~SIST ISO 8759-1:2020~~ ISO 8759-1:2018

<https://standards.iteh.ai/catalog/standards/sist/cfc68bf8-302b-4a56-b01a-f3ab8d5cdb4b/sist-iso-8759-1-2020>

ICS:

65.060.10 Kmetijski traktorji in prikolice Agricultural tractors and
trailed vehicles

SIST ISO 8759-1:2020

en,fr,de

iTeh STANDARD PREVIEW
(standards.iteh.ai)

[SIST ISO 8759-1:2020](https://standards.iteh.ai/catalog/standards/sist/cfc68bf8-302b-4a56-b01a-f3ab8d5cdb4b/sist-iso-8759-1-2020)

<https://standards.iteh.ai/catalog/standards/sist/cfc68bf8-302b-4a56-b01a-f3ab8d5cdb4b/sist-iso-8759-1-2020>

INTERNATIONAL
STANDARD

ISO
8759-1

Third edition
2018-11

**Agricultural tractors — Front-
mounted equipment —**

Part 1:
**Power take-off: Safety requirements
and clearance zone around PTO**

iTeh STANDARD PREVIEW
*Tracteurs agricoles — Équipement monté à l'avant —
Partie 1: Prise de force: Exigences de sécurité et zone de dégagement
autour de la prise de force*
(standards.iteh.ai)

SIST ISO 8759-1:2020

<https://standards.iteh.ai/catalog/standards/sist/cfc68bf8-302b-4a56-b01a-f3ab8d5cdb4b/sist-iso-8759-1-2020>



Reference number
ISO 8759-1:2018(E)

© ISO 2018

iTeh STANDARD PREVIEW (standards.iteh.ai)

SIST ISO 8759-1:2020

<https://standards.iteh.ai/catalog/standards/sist/cfc68bf8-302b-4a56-b01a-f3ab8d5cdb4b/sist-iso-8759-1-2020>



COPYRIGHT PROTECTED DOCUMENT

© ISO 2018

All rights reserved. Unless otherwise specified, or required in the context of its implementation, no part of this publication may be reproduced or utilized otherwise in any form or by any means, electronic or mechanical, including photocopying, or posting on the internet or an intranet, without prior written permission. Permission can be requested from either ISO at the address below or ISO's member body in the country of the requester.

ISO copyright office
CP 401 • Ch. de Blandonnet 8
CH-1214 Vernier, Geneva
Phone: +41 22 749 01 11
Fax: +41 22 749 09 47
Email: copyright@iso.org
Website: www.iso.org

Published in Switzerland

Contents

	Page
Foreword	iv
1 Scope	1
2 Normative reference(s)	1
3 Terms and definitions	1
4 Safety requirements	1
5 Clearance zone around PTO	2
Bibliography	5

iTeh STANDARD PREVIEW (standards.iteh.ai)

[SIST ISO 8759-1:2020](https://standards.iteh.ai/catalog/standards/sist/cfc68bf8-302b-4a56-b01a-f3ab8d5cdb4b/sist-iso-8759-1-2020)

<https://standards.iteh.ai/catalog/standards/sist/cfc68bf8-302b-4a56-b01a-f3ab8d5cdb4b/sist-iso-8759-1-2020>

ISO 8759-1:2018(E)

Foreword

ISO (the International Organization for Standardization) is a worldwide federation of national standards bodies (ISO member bodies). The work of preparing International Standards is normally carried out through ISO technical committees. Each member body interested in a subject for which a technical committee has been established has the right to be represented on that committee. International organizations, governmental and non-governmental, in liaison with ISO, also take part in the work. ISO collaborates closely with the International Electrotechnical Commission (IEC) on all matters of electrotechnical standardization.

The procedures used to develop this document and those intended for its further maintenance are described in the ISO/IEC Directives, Part 1. In particular, the different approval criteria needed for the different types of ISO documents should be noted. This document was drafted in accordance with the editorial rules of the ISO/IEC Directives, Part 2 (see www.iso.org/directives).

Attention is drawn to the possibility that some of the elements of this document may be the subject of patent rights. ISO shall not be held responsible for identifying any or all such patent rights. Details of any patent rights identified during the development of the document will be in the Introduction and/or on the ISO list of patent declarations received (see www.iso.org/patents).

Any trade name used in this document is information given for the convenience of users and does not constitute an endorsement.

For an explanation of the voluntary nature of standards, the meaning of ISO specific terms and expressions related to conformity assessment, as well as information about ISO's adherence to the World Trade Organization (WTO) principles in the Technical Barriers to Trade (TBT) see www.iso.org/iso/foreword.html.

This document was prepared by Technical Committee ISO/TC 23, *Tractors and machinery for agriculture and forestry*, Subcommittee SC 4, *Tractors*.

Any feedback or questions on this document should be directed to the user's national standards body. A complete listing of these bodies can be found at www.iso.org/members.html.

This third edition of ISO 8759-1, together with the first editions of ISO 8759-3 and ISO 8759-4, cancels and replaces ISO 8759-1:1998, which has been technically revised. The main changes compared to the previous edition are as follows:

- the content has been split into 3 parts:
 - the general specifications of the power take-off and the location requirements have been moved to a new part;
 - the specifications of the three-point linkage have been moved to a new part;
- specifications for PTO type 4 have been added;
- the dimensions for the tractor master shield and clearance zone have been updated;
- the dimensions of the protective device/tractor master shield and the clearance zone have been presented in one figure.

A list of all parts in the ISO 8759 series can be found on the ISO website.

Agricultural tractors — Front-mounted equipment —

Part 1:

Power take-off: Safety requirements and clearance zone around PTO

1 Scope

This document specifies safety requirements for, and clearance zones around, front-mounted power take-offs (PTO) on agricultural tractors.

NOTE 1 Further specifications for front-mounted power take-offs are given in ISO 8759-3.

It is not applicable to tractors which are designed to run in two directions, where either end can be considered to be the front or the rear.

NOTE 2 In this case, ISO 500 (all parts) apply.

2 Normative reference(s)

There are no normative references in this document.

3 Terms and definitions

For the purpose of this document, the following terms and definitions apply.

ISO and IEC maintain terminological databases for use in standardization at the following addresses:

- ISO Online browsing platform: available at <https://www.iso.org/obp>
- IEC Electropedia: available at <http://www.electropedia.org/>

3.1

front

leading end of the machine when moving in the normally accepted direction of travel on the road, as characterized by the relative positions of the seat, steering wheels, controls and road lighting equipment

4 Safety requirements

4.1 The PTO master shield, as shown in [Figure 1](#) and [Table 1](#), shall be supplied by the tractor manufacturer and shall be fixed to the tractor. If the same degree of safety protection is reached and the clearance zone is respected, equivalent protection devices (e.g. towing frame or front three-point hitch) can be used instead of the PTO master shield. It can be necessary that parts of the lower links reach into the clearance zone of the front PTO, especially in the upper lifting position of the lower links (e.g. in parking position when the lower links are not in use).

4.2 If the PTO master shield cannot be used as a step, it may be flexible.

4.3 Provisions shall be made for anchoring the restraining member of the PTO drive shaft guard. Fully-closed PTO master shield may be used.

ISO 8759-1:2018(E)

4.4 An additional non-rotating casing which fully covers the front PTO may also be supplied with the tractor to cover the front PTO when the front PTO is not in use.

5 Clearance zone around PTO

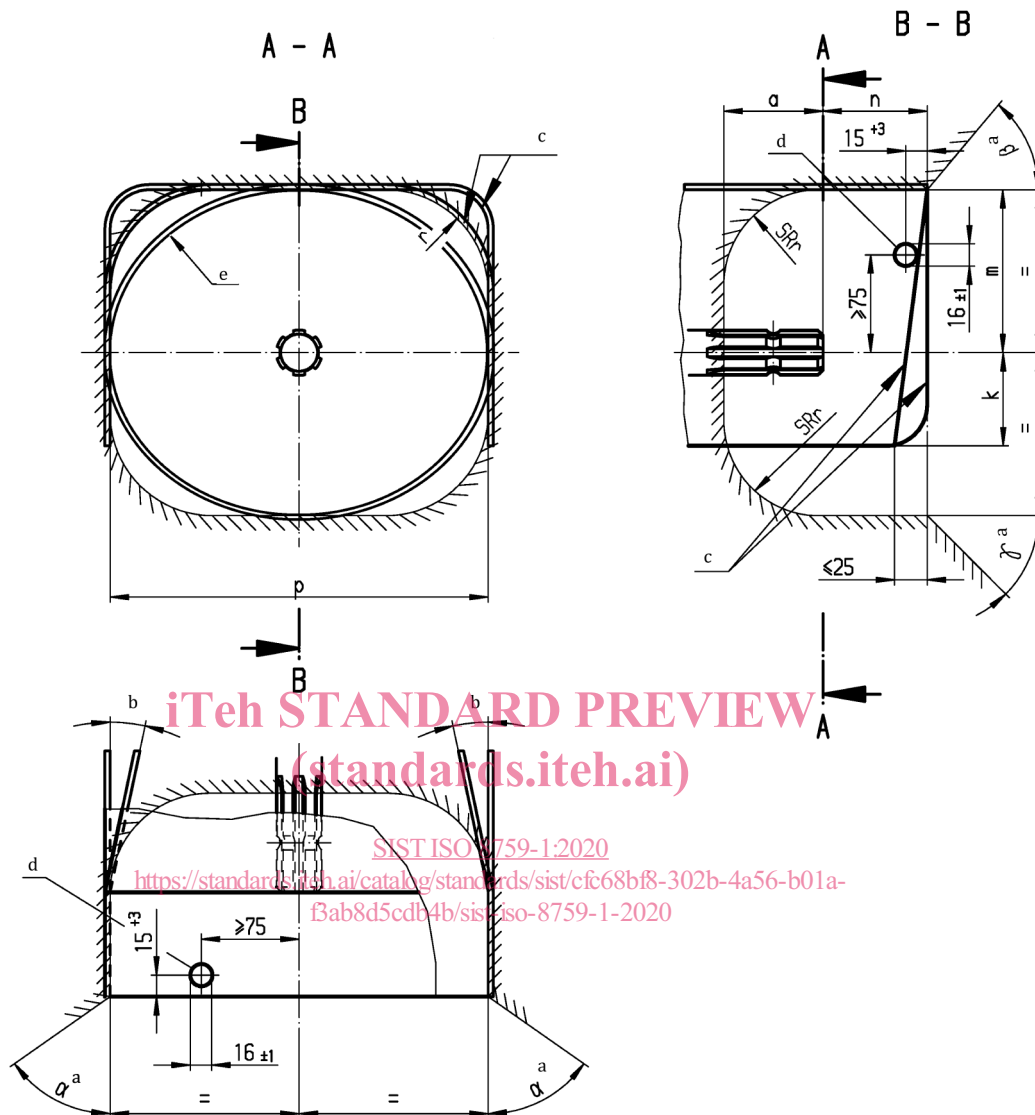
The clearance zone around the power take-off shall be in accordance with [Figure 1](#) and [Table 1](#).

iTeh STANDARD PREVIEW
(standards.iteh.ai)

SIST ISO 8759-1:2020

<https://standards.iteh.ai/catalog/standards/sist/cfc68bf8-302b-4a56-b01a-f3ab8d5cdb4b/sist-iso-8759-1-2020>

Dimensions in millimetres

**Key**

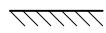
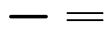
-  clearance zone
-  master shield aperture
- a The clearance may be restricted by movable and/or detachable devices.
- b Angle optional under consideration of clearance zone.
- c Shape optional.
- d This hole is for coupling the restraining member of the PTO drive shaft guard. This hole may be located either on the top or on the right side or on the left side of the master shield aperture. Holes in flexible PTO master shields may be of different size and may be in a different location.
- e Optional shape only for PTO master shield made of flexible material.

Figure 1 — Tractor master shield aperture and clearance zone around PTO