

Second edition  
2014-06-01

**AMENDMENT 1**  
2018-06

---

---

**Acoustics — Noise emitted by  
machinery and equipment —  
Guidelines for the use of basic  
standards for the determination of  
emission sound pressure levels at a  
work station and at other specified  
positions**

iTeh STANDARD PREVIEW  
(standards.iteh.ai)  
AMENDMENT 1

ISO 11200:2014/Amd.1:2018  
<https://standards.iteh.ai/catalog/standards/sist/20b93c7c-1777-4319-8197-0b45d1581072/iso-11200-2014-amd.1-2018>  
*Acoustique — Bruit émis par les machines et équipements — Guide  
d'utilisation des normes de base pour la détermination des niveaux  
de pression acoustique d'émission au poste de travail et en d'autres  
positions spécifiées*

AMENDEMENT 1



Reference number  
ISO 11200:2014/Amd.1:2018(E)

© ISO 2018

**iTeh STANDARD PREVIEW**  
**(standards.iteh.ai)**

[ISO 11200:2014/Amd 1:2018](https://standards.iteh.ai/catalog/standards/sist/20b93c2c-1777-43f9-8197-0b45d1581072/iso-11200-2014-amd-1-2018)  
<https://standards.iteh.ai/catalog/standards/sist/20b93c2c-1777-43f9-8197-0b45d1581072/iso-11200-2014-amd-1-2018>



**COPYRIGHT PROTECTED DOCUMENT**

© ISO 2018

All rights reserved. Unless otherwise specified, or required in the context of its implementation, no part of this publication may be reproduced or utilized otherwise in any form or by any means, electronic or mechanical, including photocopying, or posting on the internet or an intranet, without prior written permission. Permission can be requested from either ISO at the address below or ISO's member body in the country of the requester.

ISO copyright office  
CP 401 • Ch. de Blandonnet 8  
CH-1214 Vernier, Geneva  
Phone: +41 22 749 01 11  
Fax: +41 22 749 09 47  
Email: [copyright@iso.org](mailto:copyright@iso.org)  
Website: [www.iso.org](http://www.iso.org)

Published in Switzerland

## Foreword

ISO (the International Organization for Standardization) is a worldwide federation of national standards bodies (ISO member bodies). The work of preparing International Standards is normally carried out through ISO technical committees. Each member body interested in a subject for which a technical committee has been established has the right to be represented on that committee. International organizations, governmental and non-governmental, in liaison with ISO, also take part in the work. ISO collaborates closely with the International Electrotechnical Commission (IEC) on all matters of electrotechnical standardization.

The procedures used to develop this document and those intended for its further maintenance are described in the ISO/IEC Directives, Part 1. In particular the different approval criteria needed for the different types of ISO documents should be noted. This document was drafted in accordance with the editorial rules of the ISO/IEC Directives, Part 2 (see [www.iso.org/directives](http://www.iso.org/directives)).

Attention is drawn to the possibility that some of the elements of this document may be the subject of patent rights. ISO shall not be held responsible for identifying any or all such patent rights. Details of any patent rights identified during the development of the document will be in the Introduction and/or on the ISO list of patent declarations received (see [www.iso.org/patents](http://www.iso.org/patents)).

Any trade name used in this document is information given for the convenience of users and does not constitute an endorsement.

For an explanation on the voluntary nature of standards, the meaning of ISO specific terms and expressions related to conformity assessment, as well as information about ISO's adherence to the World Trade Organization (WTO) principles in the Technical Barriers to Trade (TBT) see the following URL: [www.iso.org/iso/foreword.html](http://www.iso.org/iso/foreword.html).

This document was prepared by Technical Committee ISO/TC 43, *Acoustics*, Subcommittee SC 1, *Noise*.

<https://standards.iteh.ai/catalog/standards/sist/20b93c2c-1777-43f9-8197-0b45d1581072/iso-11200-2014-amd-1-2018>

**iTeh STANDARD PREVIEW**  
**(standards.iteh.ai)**

[ISO 11200:2014/Amd 1:2018](https://standards.iteh.ai/catalog/standards/sist/20b93c2c-1777-43f9-8197-0b45d1581072/iso-11200-2014-amd-1-2018)

<https://standards.iteh.ai/catalog/standards/sist/20b93c2c-1777-43f9-8197-0b45d1581072/iso-11200-2014-amd-1-2018>

# Acoustics — Noise emitted by machinery and equipment — Guidelines for the use of basic standards for the determination of emission sound pressure levels at a work station and at other specified positions

## AMENDMENT 1

*Page 2, Clause 2*

Add “:1995” after “ISO 11203”, so that the referred document is dated and read fully as

ISO 11203:1995, *Acoustics — Noise emitted by machinery and equipment — Determination of emission sound pressure levels at a work station and at other specified positions from the sound power level*

Add “:2003” after “ISO 11205”, so that the referred document is dated and read fully as

ISO 11205:2003, *Acoustics — Noise emitted by machinery and equipment — Engineering method for the determination of emission sound pressure levels in situ at the work station and at other specified positions using sound intensity*

**iTeh STANDARD PREVIEW**  
**(standards.iteh.ai)**

*Page 11, Clause 5*

Delete the following first two lines of the text:

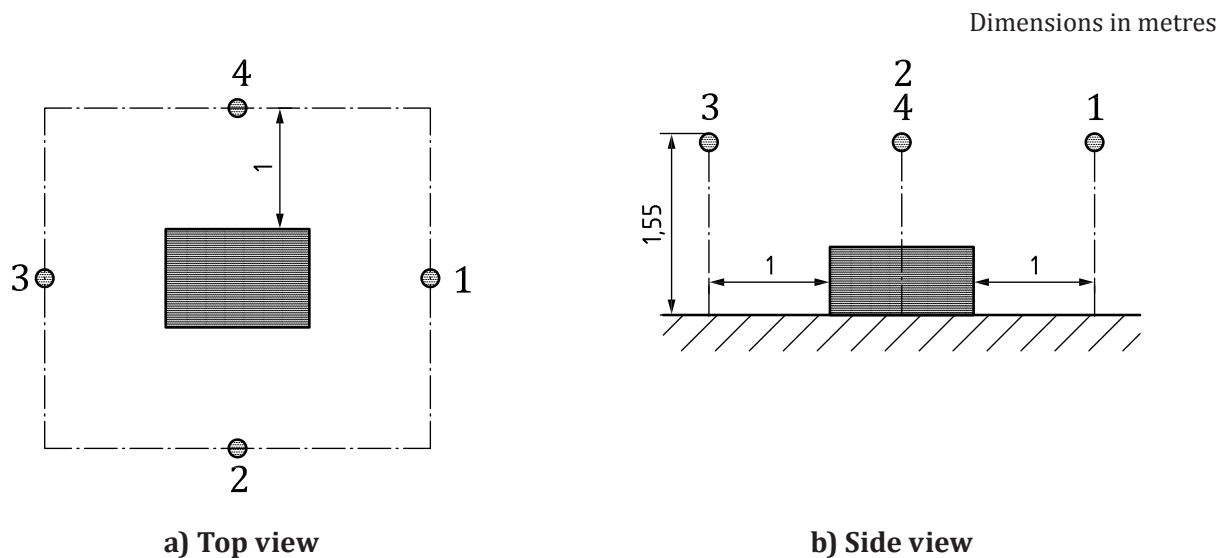
“Overview of the methods offered in the ISO 11201, ISO 11202, ISO 11203, ISO 11204 and ISO 11205 group for determining the emission sound pressure level at work stations and other specified positions”

*Page 24, A.2, second line*

Replace “<” by “≤” in “ $K_{2A} < 7$  dB”.

*Page 26, Figure B.1*

Replace Figure B.1 by the following figure:



**Key**

● microphone positions

The grey box depicts the reference box.

**Figure B.1 — Top and side views of machine and microphone positions**

**iTeh STANDARD PREVIEW**  
**(standards.iteh.ai)**

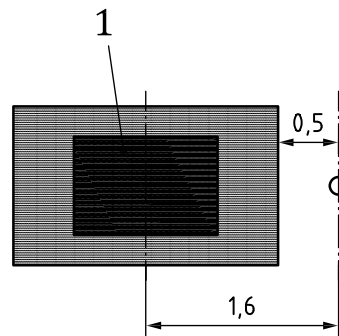
[ISO 11200:2014/Amd 1:2018](https://standards.iteh.ai/catalog/standards/sist/20b93c2c-1777-43f9-8197-0b45d1581072/iso-11200-2014-amd-1-2018)

<https://standards.iteh.ai/catalog/standards/sist/20b93c2c-1777-43f9-8197-0b45d1581072/iso-11200-2014-amd-1-2018>

Page 28, Figure B.2

Replace Figure B.2 by the following figure:

Dimensions in metres



**Key**

- 1 dominating source
  - microphone position at the work station
- The grey box depicts the reference box.

**Figure B.2 — Top view of the machine showing the work station position**

**ITeH STANDARD PREVIEW**  
**(standards.iteh.ai)**

<https://standards.iteh.ai/catalog/standards/sist/20b93c2c-1777-43f9-8197-0b45d1581072/iso-11200-2014-amd-1-2018>

**iTeh STANDARD PREVIEW**  
**(standards.iteh.ai)**

[ISO 11200:2014/Amd 1:2018](https://standards.iteh.ai/catalog/standards/sist/20b93c2c-1777-43f9-8197-0b45d1581072/iso-11200-2014-amd-1-2018)  
<https://standards.iteh.ai/catalog/standards/sist/20b93c2c-1777-43f9-8197-0b45d1581072/iso-11200-2014-amd-1-2018>