



Standard Test Methods for Measuring High-Speed Bat Performance¹

This standard is issued under the fixed designation F 2219; the number immediately following the designation indicates the year of original adoption or, in the case of revision, the year of last revision. A number in parentheses indicates the year of last reapproval. A superscript epsilon (ϵ) indicates an editorial change since the last revision or reapproval.

1. Scope

1.1 These test methods define a method for determining bat performance by measuring the bat-ball coefficient of restitution (BBCOR), deriving the ball exit speed ratio (BESR), and calculating a batted-ball speed (BBS). It is applicable to baseball and softball bats of any construction or material. The test methods provide quantitative measures of bat dynamic performance that may be used for comparison purposes.

1.2 The BBCOR, BESR, and BBS are each calculated from measurements taken in the laboratory on test equipment meeting the requirements defined in this specification.

1.3

1.3 The values stated in inch-pound units are to be regarded as standard. The values given in parentheses are mathematical conversions to SI units that are provided for information only and are not considered standard.

1.4 This standard does not purport to address all of the safety concerns, if any, associated with its use. It is the responsibility of the user of this standard to establish appropriate safety and health practices and to determine the applicability of regulatory limitations prior to use.

2. Referenced Documents

2.1 ASTM Standards:²

F 1887 Test Method for Measuring the Coefficient of Restitution (COR) of Baseballs and Softballs

F 1888 Test Method for Compression-Displacement of Baseballs and Softballs

F 2398 Test Method for Measuring Moment of Inertia and Center of Percussion of a Baseball or Softball Bat

3. Terminology

3.1 Definitions of Terms Specific to This Standard:

3.1.1 balance point (BP), n —distance to the center of mass of a bat when measured from the distal end of the bat knob.

3.1.2 ball exit speed (V_e), n —outbound speed of a ball following impact with a bat as defined in these test methods.

3.1.3 ball exit speed ratio (BESR), n —ratio of ball exit speed (v_e) to ball inbound speed (v_i) plus $\frac{1}{2}$, as determined by these test methods.

3.1.4 ball inbound speed (v_i), n —inbound speed of a ball prior to impact with a bat as defined in this test method.

3.1.5 bat-ball coefficient of restitution (BBCOR)—COR of a specific ball colliding with a bat as defined in these test methods. See coefficient of restitution (COR).

3.1.6 center of percussion (COP), n —also known as the center of oscillation, the length of a simple pendulum with the same period as a physical pendulum, as in a bat oscillating on a pivot.

3.1.7 coefficient of restitution (COR), n —measure of impact efficiency calculated as the relative speed of the objects after impact divided by the relative speed of the objects before impact.

3.1.8 moment of inertia (MOI), n —measure of mass distribution relative to an axis of rotation. It is the product of the mass multiplied by the square of the distance to the mass, summed over the entire bat.

4. Significance and Use

4.1 These test methods offer a laboratory measure of the performance of baseball and softball bats.

4.2 Use of these test methods can provide quantitative batted-ball speed and metrics of bat performance.

¹ These test methods are under the jurisdiction of ASTM Committee F08 on Sports Equipment and Facilities and are the direct responsibility of Subcommittee F08.26 on Baseball and Softball Equipment.

Current edition approved ~~Oct. June 1, 2007-2009~~. Published ~~November 2007~~ July 2009. Originally approved in 2002. Last previous edition approved in ~~2005~~ 2007 as F 2219 - 05 ϵ 7.

² For referenced ASTM standards, visit the ASTM website, www.astm.org, or contact ASTM Customer Service at service@astm.org. For Annual Book of ASTM Standards volume information, refer to the standard's Document Summary page on the ASTM website.

5. Apparatus and Equipment

5.1 *Test Balls*—Official baseballs and softballs approved for use in the game of baseball or softball and tested in accordance with Table 1.

5.2 Balls specification values are to be recorded and traced to individual balls.

5.3 *Bat-Ball COR Test Apparatus* :

5.3.1 *Ball Cannon*—A device capable of shooting a softball at speeds at least up to 205.3 ft/s (62.6 m/s, approximately 140 mph) for Option 1 or a baseball at speeds at least up to 220 ft/s (67.1 m/s, approximately 150 mph) for Option 2, or both. Balls shall be oriented to impact the strike surface between the stitches. Typical pitching machines cannot yield the aiming accuracy required by these test methods. Cannon exhaust air must not cause motion of the bat in the absence of an impact.

5.3.2 *Ball Speed Gate*—A light trap device, or an equivalent, capable of measuring a softball traveling at speeds at least up to 205.3 ft/s (62.6 m/s, approximately 140 mph) for Option 1 or a baseball traveling at speeds at least up to 220 ft/s (67.1 m/s, approximately 150 mph) for Option 2, or both, with an accuracy of ± 3 ft/s (0.89 m/s) or better. The device shall measure across a length of no less than half the ball diameter to avoid centering error. For example, the device shall sense an object across a 2.0 in. (50.8 mm) line. The first sensor shall trigger when the ball is no more than 18.0 in. (457.2 mm) from the bat surface. The second sensor shall trigger between 12 ± 0.03 in. (30 ± 0.08 cm) from the first sensor. The second sensor is located between the first sensor and the bat surface. The distance between sensors must be measured and maintained within ± 0.005 in. (± 0.13 mm) (see Fig. 1). The device must be able to measure the ball exit speed. This requirement dictates that the device must reset and arm quickly enough to capture the ball traveling back through the speed gate.

5.3.3 *Bat Pivot Support*—A turntable, rotating in the horizontal plane, with clamps to support and align the bat in the path of the ball. The clamp surfaces shall be a 45° Vee clamp with no radii greater than 2.0 in. (50.8 mm). The rotating clamp and shaft assembly shall not weigh more than 6 lb (2.7 kg) and shall spin freely via ball bearings (see Fig. 1). The actual MOI of the clamp turntable assembly shall be determined, recorded, and used in the performance calculations. The polar MOI for the clamp turntable assembly shall not exceed 192 oz-in.² (35 117 g-cm²).

6. Calibration and Standardization

6.1 *Ball Speed Gate*—The distances between the sensors of the speed gates must be known and recorded to the stated tolerances. The accuracy of the timers used in the velocity sensors must be adequate to provide the stated velocity accuracy at maximum stated speeds. The timers used shall be calibrated on at least a yearly basis.

6.2 *Reference Standards and Blanks*— A standard bat and ball shall be used for reference purposes to verify proper machine operation.

7. Conditioning

7.1 *Ball and Bat Conditioning* Ball and Bat Conditioning and Test Room Conditions:

7.1.1 Balls shall be stored in an environmentally controlled space for at least 14 days immediately before testing. Wood bats shall be stored at these environmental conditions for at least 24 h prior to testing. Non-wood bats shall be stored at these test environmental conditions for at least 2 h prior to testing.

7.1.2 Temperature is to be maintained at $72 \pm 2^\circ\text{F}$ ($22 \pm 1^\circ\text{C}$).

7.1.3 Relative humidity is to be maintained at $50 \pm 10\%$.

7.1.4 Balls are to complete testing within 1 h after removal from ball conditioning environment.

7.2 *Test Room Conditions:*

7.2.1 The test room will be controlled environmentally.

7.2.2 Temperature is to be maintained at $72 \pm 2^\circ\text{F}$ ($22 \pm 1^\circ\text{C}$).

7.2.3 Relative humidity is to be maintained between 40 and 60%.

7.1.1 Test balls shall be stored in an environmentally controlled space for at least 14 days immediately before testing. Wood bats shall be stored at these environmental conditions for at least 24 h prior to testing. Non-wood bats shall be stored at these test environmental conditions for at least 2 h prior to testing.

TABLE 1 Ball Specifications

	Option 1 Softball		Option 2 Baseball	
	Compression per F 1888	350–375 1557–1668	lb N	250–300 1112–1335
Weight	6.75–7.00 191–198	oz g	5.09–5.16 144–147	oz g
Circumference	12.00–12.25 304.8–311.1	in. mm	9.00–9.25 228–234	in. mm
COR per F 1887	0.430–0.440		0.525–0.555	

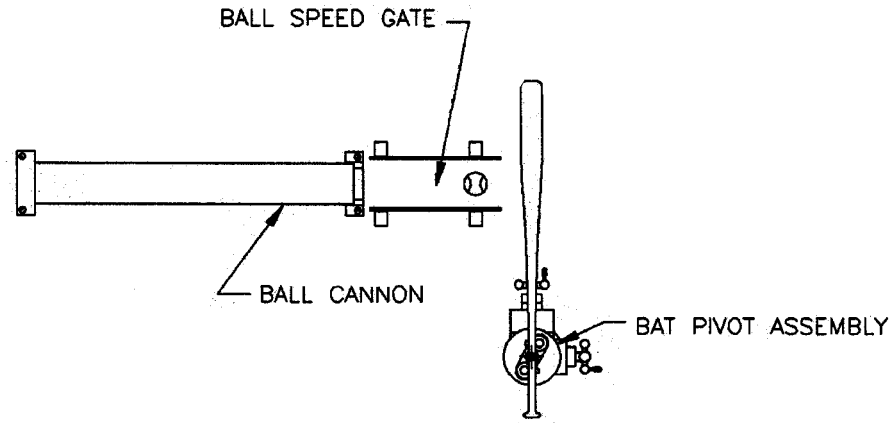


FIG. 1 Bat Testing Machine

7.1.2 Temperature is to be maintained at $72 \pm 4^\circ\text{F}$ ($22 \pm 2^\circ\text{C}$).

7.1.3 Relative humidity is to be maintained between 40 and 60 %.

7.1.4 Temperature and relative humidity are to be measured and recorded hourly within $\pm 0.5^\circ\text{F}$ ($\pm 0.3^\circ\text{C}$) and $\pm 2\%$ RH over conditioning and test duration.

8. Procedure

8.1 *Determination of Bat Features and Test Location*—Determine bat balance point (BP), bat MOI, and bat COP in accordance with Test Method F 2398.

8.2 *Impact Locations*—Three methods for testing are described herein for evaluating the performance of a bat. These methodologies provide alternatives for determining the impact location of the bat-ball collision prescribed by these test methods.

8.2.1 *Method A*—Impact location is 6 in. from the barrel end of the bat.

8.2.2 *Method B*—Impact location is at the COP.

8.2.3 *Method C*—Multiple impact locations for identifying the maximum value of the performance variable in question.

8.2.3.1 Select a performance variable (BBCOR, BESR, or BBS) to calculate. The choice of performance variable is left to those specifying the test requirements.

8.2.3.2 Test at an initial impact location 5.0, 6.0, or 7.0 in. (127, 152.4, or 177.8 mm) from the barrel end of the bat. Repeat testing at 1.0-in. (25.4-mm) intervals in either direction from the initial impact location until a local maximum is found, then converge on the maximum performance location in 0.5-in. (12.7-mm) increments.

8.2.3.3 The maximum value to the nearest 0.5-in. (12.7-mm) interval is the impact location to be used under Method C (that is, if local maxima are found at 4.0 in. (101.6 mm) and 5.0 in. (127.0 mm), the test is then done at 4.5 in. (114.3 mm). The maximum performance location is the one associated with the maximum of the test results obtained from these three impact locations of 4.0 in. (101.6 mm), 4.5 in. (114.3 mm), and 5.0 in. (127.0 mm)).

8.3 *Bat Test Procedure:*

8.3.1 Ready and calibrate ball speed gates in accordance with the manufacturer's instructions.

8.3.2 Select six test balls meeting requirement of 5.1, and record the actual values of compression, weight, size, and COR of the ball.

8.3.3 Set ball cannon to fire the ball per Table 1 at the desired impact speed as noted in Table 2 for Option 1 (softball) and Eq 1 for Option 2 which determines the nominal impact speed which varies with the desired impact point selected in accordance with 8.2. Valid test speeds are considered to be those within tolerance noted in Table 2 and Eq 1.

$$v_i = 66 \pm 2 \text{ mph} \times \frac{(L - X - 6 \text{ (in.)})}{(L - 12 \text{ (in.)})} + 70 \text{ mph} \quad (1)$$

$$v_i = 96.8 \pm 3 \text{ ft/s} \times \frac{(L - X - 6 \text{ (in.)})}{(L - 12 \text{ (in.)})} + 102.6 \text{ ft/s}$$

$$v_i = 29.5 \pm 0.9 \text{ m/s} \times \frac{(L \text{ (mm)} - X \text{ (mm)} - 152.4 \text{ (mm)})}{(L \text{ (mm)} - 304.8 \text{ (mm)})} + 31.3 \text{ m/s}$$

where:

L = length of bat, in. (mm),

X = distance from the end of the barrel to the impact location, in. (mm), and

v_i = ball inbound speed, mph, ft/s (m/s).

8.3.4 Mount the bat in the clamps on the bat pivot support. Position the distal end of the bat knob 6 ± 0.063 in. (152.4 ± 1.6 mm) from the axis of rotation of the turntable assembly.