
**Mechanical vibration — Measurement
and evaluation of machine
vibration —**

Part 2:
**Land-based gas turbines, steam
turbines and generators in excess
of 40 MW, with fluid-film bearings
and rated speeds of 1 500 r/min,
1 800 r/min, 3 000 r/min and
3 600 r/min**

Vibrations mécaniques — Mesurage et évaluation des vibrations de machines —

Partie 2: Turbines à gaz, turbines à vapeur et alternateurs à paliers à film fluide excédant 40 MW pour applications terrestres, avec des vitesses nominales de fonctionnement de 1 500 r/min, 1 800 r/min, 3 000 r/min et 3 600 r/min



iTeh Standards
(<https://standards.iteh.ai>)
Document Preview

[ISO 20816-2:2017](https://standards.iteh.ai/catalog/standards/iso/23240dd1-6ae2-425e-a1a3-a2cfbb98e397/iso-20816-2-2017)

<https://standards.iteh.ai/catalog/standards/iso/23240dd1-6ae2-425e-a1a3-a2cfbb98e397/iso-20816-2-2017>



COPYRIGHT PROTECTED DOCUMENT

© ISO 2017, Published in Switzerland

All rights reserved. Unless otherwise specified, no part of this publication may be reproduced or utilized otherwise in any form or by any means, electronic or mechanical, including photocopying, or posting on the internet or an intranet, without prior written permission. Permission can be requested from either ISO at the address below or ISO's member body in the country of the requester.

ISO copyright office
Ch. de Blandonnet 8 • CP 401
CH-1214 Vernier, Geneva, Switzerland
Tel. +41 22 749 01 11
Fax +41 22 749 09 47
copyright@iso.org
www.iso.org

Contents

	Page
Foreword	iv
Introduction	v
1 Scope	1
2 Normative references	2
3 Terms and definitions	2
4 Measurement procedures	2
4.1 General.....	2
4.2 Measurements of vibration of non-rotating parts.....	3
4.3 Measurements of vibration of rotating shafts.....	5
5 Evaluation criteria	8
5.1 General.....	8
5.2 Criterion I: Vibration magnitude.....	8
5.2.1 General.....	8
5.2.2 Vibration magnitude at rated speed under steady-state operating conditions.....	8
5.2.3 Operational limits for steady-state operation.....	10
5.2.4 Vibration magnitude during non-steady-state conditions (transient operation).....	12
5.3 Criterion II: Change in vibration magnitude under steady-state conditions at rated speed.....	14
5.4 Supplementary procedures/criteria.....	14
5.5 Evaluation based on vibration vector information.....	15
Annex A (normative) Evaluation zone boundaries for vibration of non-rotating parts	16
Annex B (normative) Evaluation zone boundaries for vibration of rotating shafts	17
Annex C (informative) Example of setting ALARM and TRIP values	19
Annex D (informative) Cautionary notes about the use of vibration velocity criteria at low rotational speeds	20
Annex E (informative) Evaluation zone boundary limits and bearing clearance	22
Bibliography	23

Foreword

ISO (the International Organization for Standardization) is a worldwide federation of national standards bodies (ISO member bodies). The work of preparing International Standards is normally carried out through ISO technical committees. Each member body interested in a subject for which a technical committee has been established has the right to be represented on that committee. International organizations, governmental and non-governmental, in liaison with ISO, also take part in the work. ISO collaborates closely with the International Electrotechnical Commission (IEC) on all matters of electrotechnical standardization.

The procedures used to develop this document and those intended for its further maintenance are described in the ISO/IEC Directives, Part 1. In particular the different approval criteria needed for the different types of ISO documents should be noted. This document was drafted in accordance with the editorial rules of the ISO/IEC Directives, Part 2 (see www.iso.org/directives).

Attention is drawn to the possibility that some of the elements of this document may be the subject of patent rights. ISO shall not be held responsible for identifying any or all such patent rights. Details of any patent rights identified during the development of the document will be in the Introduction and/or on the ISO list of patent declarations received (see www.iso.org/patents).

Any trade name used in this document is information given for the convenience of users and does not constitute an endorsement.

For an explanation on the voluntary nature of standards, the meaning of ISO specific terms and expressions related to conformity assessment, as well as information about ISO's adherence to the World Trade Organization (WTO) principles in the Technical Barriers to Trade (TBT) see the following URL: www.iso.org/iso/foreword.html.

This document was prepared by Technical Committee ISO/TC 108, *Mechanical vibration, shock and condition monitoring*, Subcommittee SC 2, *Measurement and evaluation of mechanical vibration and shock as applied to machines, vehicles and structures*.

This first edition of ISO 20816-2 cancels and replaces ISO 7919-2:2009 and ISO 10816-2:2009, which have been technically revised.

The main change compared to the previous edition is that the scope has been extended to change the lower output limit for large steam turbines and generators from 50 MW to 40 MW and requirements have been incorporated for large gas turbines with outputs greater than 40 MW, which are contained in ISO 7919-4 and ISO 10816-4. A consequence of the inclusion of large gas turbines in this document is that both ISO 7919-4 and ISO 10816-4 have been amended.

A list of parts in the ISO 20816 series can be found on the ISO website.

Introduction

ISO 20816-1 provides the general requirements for evaluating the vibration of various machine types when the vibration measurements are made on both non-rotating and rotating parts. This document provides specific provisions for assessing the vibration of the bearing housings or pedestals and rotating shafts of large, land-based gas turbines, steam turbines and generators. Measurements at these locations characterize the state of vibration reasonably well. Evaluation criteria, based on previous experience, are presented. These can be used for assessing the vibratory condition of such machines. It should be noted that in those cases where there is a high ratio between the mass of the bearing supports and the rotor, lower values of vibration of the bearing housings or pedestals can be appropriate.

Two criteria are provided for assessing the machine vibration when operating under steady-state conditions. One criterion considers the magnitude of the observed vibration; the second considers changes in the magnitude. In addition, different criteria are provided for transient operating conditions.

The evaluation procedures presented in this document are based on broad-band measurements. However, because of advances in technology, the use of narrow-band measurements or spectral analysis has become increasingly widespread, particularly for the purposes of vibration evaluation, condition monitoring and diagnostics. The specification of criteria for such measurements is beyond the scope of this document. They are dealt with in greater detail in the relevant parts of ISO 13373 which establish provisions for the vibration condition monitoring of machines.

iTeh Standards (<https://standards.iteh.ai>) Document Preview

[ISO 20816-2:2017](https://standards.iteh.ai/catalog/standards/iso/23240dd1-6ae2-425e-a1a3-a2cfbb98e397/iso-20816-2-2017)

<https://standards.iteh.ai/catalog/standards/iso/23240dd1-6ae2-425e-a1a3-a2cfbb98e397/iso-20816-2-2017>

Mechanical vibration — Measurement and evaluation of machine vibration —

Part 2:

Land-based gas turbines, steam turbines and generators in excess of 40 MW, with fluid-film bearings and rated speeds of 1 500 r/min, 1 800 r/min, 3 000 r/min and 3 600 r/min

1 Scope

This document is applicable to land-based gas turbines, steam turbines and generators (whether coupled with gas and/or steam turbines) with power outputs greater than 40 MW, fluid-film bearings and rated speeds of 1 500 r/min, 1 800 r/min, 3 000 r/min or 3 600 r/min. The criteria provided in this document can be applied to the vibration of the gas turbine, steam turbine and generator (including synchronizing clutches). This document establishes provisions for evaluating the severity of the following *in-situ*, broad-band vibration:

- a) structural vibration at all main bearing housings or pedestals measured radial (i.e. transverse) to the shaft axis;
- b) structural vibration at thrust bearing housings measured in the axial direction;
- c) vibration of rotating shafts radial (i.e. transverse) to the shaft axis at, or close to, the main bearings.

These are in terms of the following:

- vibration under normal steady-state operating conditions;
- vibration during other (non-steady-state) conditions when transient changes are taking place, including run up or run down, initial loading and load changes;
- changes in vibration which can occur during normal steady-state operation.

This document is not applicable to the following:

- i) electromagnetic excited vibration with twice line frequency at the generator stator windings, core and housing;
- ii) aero-derivative gas turbines (including gas turbines with dynamic properties similar to those of aero-derivatives);

NOTE ISO 3977-3 defines aero-derivatives as aircraft propulsion gas generators adapted to drive mechanical, electrical or marine propulsion equipment. Large differences exist between heavy-duty and aero-derivative gas turbines, for example, in casing flexibility, bearing design, rotor-to-stator mass ratio and mounting structure. Different criteria, therefore, apply for these two turbine types.

- iii) steam turbines and/or generators with outputs less than or equal to 40 MW or with rated speeds other than 1 500 r/min, 1 800 r/min, 3 000 r/min or 3 600 r/min (although generators seldom fall into this latter category) (see ISO 7919-3 and ISO 10816-3);
- iv) gas turbines with outputs less than or equal to 40 MW or with rated speeds other than 1 500 r/min, 1 800 r/min, 3 000 r/min or 3 600 r/min (see ISO 7919-3 or ISO 7919-4 and ISO 10816-3 or ISO 10816-4);
- v) the evaluation of combustion vibration but does not preclude monitoring of combustion vibration.

2 Normative references

The following documents are referred to in the text in such a way that some or all of their content constitutes requirements of this document. For dated references, only the edition cited applies. For undated references, the latest edition of the referenced document (including any amendments) applies.

ISO 20816-1:2016, *Mechanical vibration — Measurement and evaluation of machine vibration — Part 1: General guidelines*

3 Terms and definitions

No terms and definitions are listed in this document.

ISO and IEC maintain terminological databases for use in standardization at the following addresses:

- IEC Electropedia: available at <http://www.electropedia.org/>
- ISO Online browsing platform: available at <http://www.iso.org/obp>

4 Measurement procedures

4.1 General

The measurement procedures and instrumentation shall comply with the general requirements given in ISO 20816-1.

ISO 20816-1, as well as this document, cover vibration of non-rotating parts and rotating shafts. However, this does not mean that both sets of measurements shall be taken on any particular machine. In the past, it was common practice for some users and manufacturers to use measurements only of non-rotating parts or only of rotating shafts or a combination of both. More recently, it has become more common to use a combination of both types of measurement but this is not mandatory. The choice of whether to measure vibration of non-rotating parts, rotating shafts or a combination of both is dependent on the particular application and shall always be agreed between the machine supplier and purchaser prior to installation.

The characteristics of the measurement system should be known with regard to the effects of the environment. Care should be taken to ensure that the measurement equipment is not unduly influenced by external sources, including:

- a) temperature variations;
- b) electromagnetic fields;
- c) airborne and structure-borne noise, e.g. from neighbouring machines;
- d) transducer power source variations;
- e) combustion vibration;
- f) cable impedance;
- g) transducer cable length;
- h) transducer orientation;
- i) structural characteristics of the transducer attachment.

In special cases where significant low-frequency vibration can be transmitted to the machine, such as in earthquake regions, it can be necessary to filter the low-frequency response of the instrumentation.

If measurements at different times or from different machines are compared, care should be taken to ensure that the same frequency range is used and the data should be taken with the machine operating under stable conditions at the same rotational speed and load.

4.2 Measurements of vibration of non-rotating parts

For monitoring purposes, the measurement system shall be capable of measuring broad-band vibration over a frequency range from 10 Hz to at least 500 Hz. If, however, the instrumentation is also used for diagnostic purposes, a wider frequency range and/or spectral analysis can be necessary. For example, in cases where the frequency corresponding to the first resonance speed (critical speed) of the coupled rotors is below 10 Hz, the lower limit of the linear range of the measurement system shall be reduced accordingly.

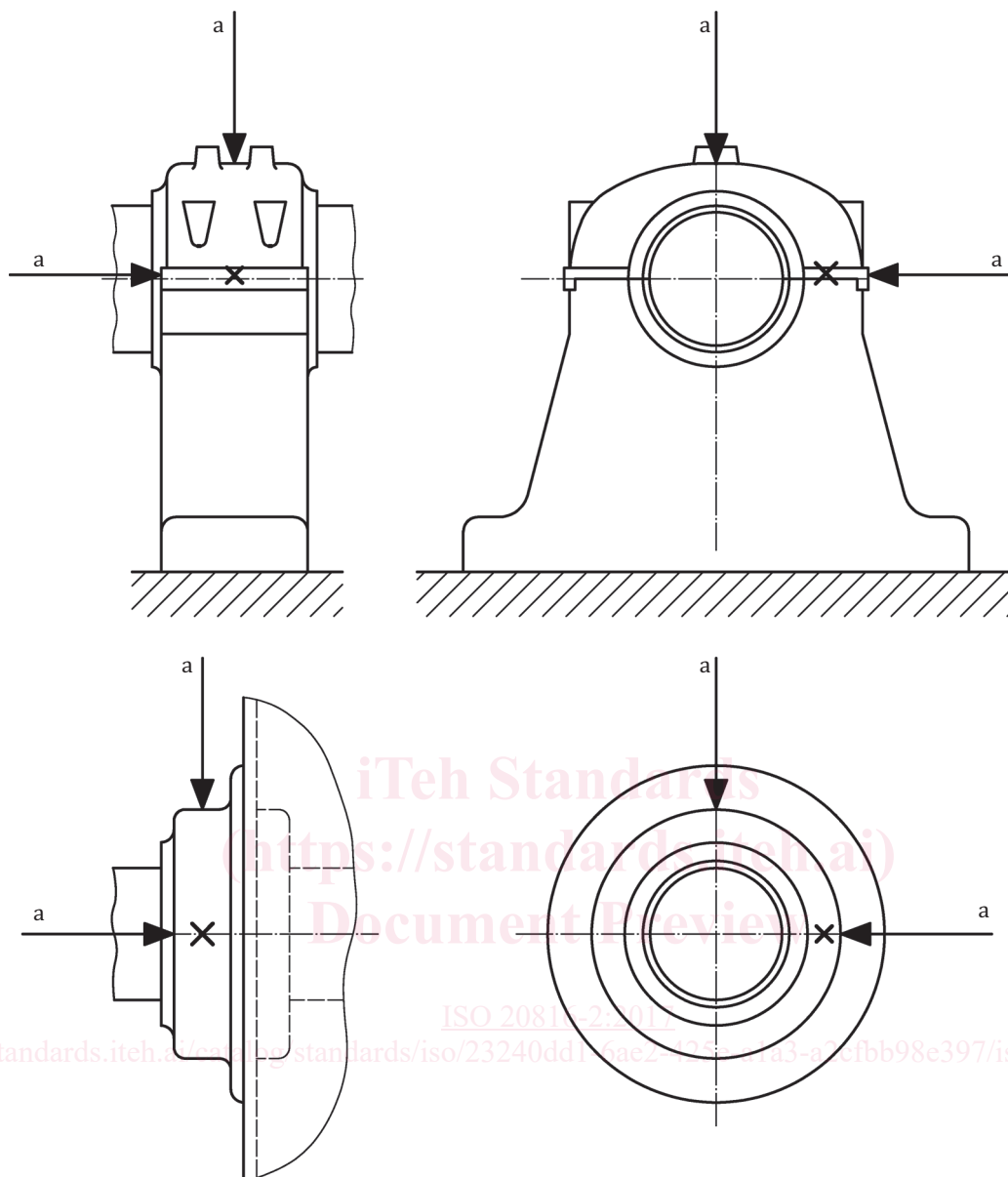
If the measurement is carried out using a velocity transducer and measurements below 10 Hz are required, it is important to linearize the velocity signal. This is particularly important when evaluating vibration velocity at lower speeds (see ISO 2954).

The locations of vibration measurements should be such that they provide adequate sensitivity to the dynamic forces of the machine. Typically, this requires measuring in two radial directions on each main bearing cap or pedestal with a pair of orthogonal transducers, as shown in [Figure 1](#) and [Figure 2](#). The transducers may be placed at any angular location on the bearing housings or pedestals, although vertical and horizontal directions (i.e. principal stiffness directions) are usually preferred.

A single radial transducer may be used on a bearing cap or pedestal in place of the more typical pair of orthogonal transducers if it is known to provide adequate information on the magnitude of the machine vibration. In general, however, caution should be observed when evaluating vibration from a single transducer at a measurement plane, since it might not be oriented to provide a reasonable approximation of the maximum value at that plane.

It is not common practice to measure axial vibration on the main radial load carrying bearings for continuous operational monitoring. Such measurements are primarily used during periodic vibration surveys or for diagnostic purposes. Hence, in this document, axial vibration criteria are only provided for thrust bearings where the vibration severity can be judged using the same criteria as for radial vibration (see [Table A.1](#)). For other bearings, where there are no axial restraints, a less stringent requirement may be used for the evaluation of axial vibration, provided that ancillary pipework and equipment are not adversely affected.

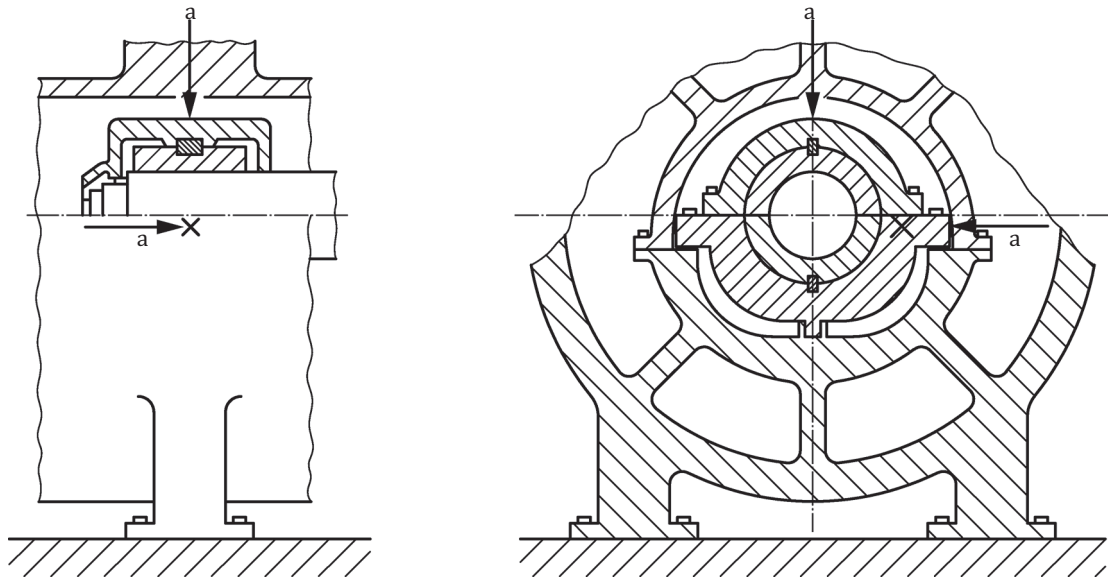
Particular attention should be given to ensuring that the vibration transducers are correctly mounted and that the mounting arrangement does not degrade the accuracy of the measurement (see e.g. ISO 2954 and ISO 5348).



a Direction of measurement.

NOTE The evaluation criteria in this document are applicable to radial vibration on all main bearings and to axial vibration on thrust bearings.

Figure 1 — Typical measuring points and directions on bearing pedestals and bearing caps



a Direction of measurement.

NOTE The evaluation criteria in this document are applicable to radial vibration on all main bearings and to axial vibration on thrust bearings.

Figure 2 — Typical measuring points and directions on a gas turbine bearing

4.3 Measurements of vibration of rotating shafts

Early experience with measuring shaft vibration was restricted to the measurement of shaft absolute vibration using shaft-riding transducers. However, the limitations of such transducers are such that they are no longer recommended. Their use is limited to early installations on older plant or during troubleshooting investigations when other measurement techniques might be impractical.

More recently, as non-contacting transducers were developed, shaft relative vibration measurements have become the preferred measurement quantity. However, if required, the shaft absolute vibration can be obtained by combining the outputs of a non-contacting transducer which measures shaft relative vibration and a seismic transducer on a common mounting which measures the structural vibration. Hence, although shaft relative vibration is the preferred measurement quantity, there remain significant numbers of existing steam turbines and generators in service for which shaft absolute vibration is still used. Therefore, measurements of shaft relative vibration or shaft absolute vibration are equally acceptable for the purposes of this document (see [Figures 3](#) and [4](#)).

For monitoring purposes, the measurement system shall be capable of measuring broad-band vibration over a frequency range from 1 Hz to at least three times the maximum normal operating frequency or 125 Hz, whichever is greater. If, however, the instrumentation is also used for diagnostic purposes, a wider frequency range (e.g. up to six times the maximum normal operating frequency) and/or spectral analysis can be necessary.

The locations of vibration measurements should be such that the transverse movement of the shaft at points of importance can be assessed. Typically, this requires measuring in two radial directions with a pair of orthogonal transducers at, or adjacent to, each main bearing. The transducers may be placed at any angular location, but it is common practice to select locations on the same bearing half which are either at $\pm 45^\circ$ to the vertical direction (top dead centre 12 o'clock position) or close to the vertical and horizontal directions.

A single radial transducer may be used in place of the more typical pair of orthogonal transducers, if it is known to provide adequate information on the magnitude of the shaft vibration. In general, however,