
**Anodizing of aluminium and its
alloys — Instrumental determination
of image clarity of anodic oxidation
coatings — Instrumental method**

*Anodisation de l'aluminium et de ses alliages — Détermination de la
netteté d'image sur couches anodiques — Méthode instrumentale*

iTeh STANDARD PREVIEW
(standards.iteh.ai)

[ISO 10216:2017](https://standards.iteh.ai/catalog/standards/sist/e129042a-b756-4da8-b3bf-47a28369c1e5/iso-10216-2017)

<https://standards.iteh.ai/catalog/standards/sist/e129042a-b756-4da8-b3bf-47a28369c1e5/iso-10216-2017>



iTeh STANDARD PREVIEW
(standards.iteh.ai)

ISO 10216:2017

<https://standards.iteh.ai/catalog/standards/sist/e129042a-b756-4da8-b3bf-47a28369c1e5/iso-10216-2017>



COPYRIGHT PROTECTED DOCUMENT

© ISO 2017, Published in Switzerland

All rights reserved. Unless otherwise specified, no part of this publication may be reproduced or utilized otherwise in any form or by any means, electronic or mechanical, including photocopying, or posting on the internet or an intranet, without prior written permission. Permission can be requested from either ISO at the address below or ISO's member body in the country of the requester.

ISO copyright office
Ch. de Blandonnet 8 • CP 401
CH-1214 Vernier, Geneva, Switzerland
Tel. +41 22 749 01 11
Fax +41 22 749 09 47
copyright@iso.org
www.iso.org

Contents

	Page
Foreword.....	iv
Introduction.....	v
1 Scope	1
2 Normative references	1
3 Terms and definitions	1
4 Principle	2
5 Apparatus	2
6 Test specimen	4
6.1 Sampling.....	4
6.2 Size.....	4
6.3 Treatment before measurement.....	5
7 Procedure	5
7.1 Measurement of black glass.....	5
7.2 Sensitivity adjustment by test specimen.....	5
7.3 Measurement of test specimen.....	5
8 Expression of results	5
8.1 Calculation of image clarity, C_n	5
8.2 Image clarity.....	7
8.3 Image clarity comparison and classification.....	7
8.4 Optical evenness, E	7
8.5 Dispersion of light, D	7
9 Test report	8
Bibliography	9

Foreword

ISO (the International Organization for Standardization) is a worldwide federation of national standards bodies (ISO member bodies). The work of preparing International Standards is normally carried out through ISO technical committees. Each member body interested in a subject for which a technical committee has been established has the right to be represented on that committee. International organizations, governmental and non-governmental, in liaison with ISO, also take part in the work. ISO collaborates closely with the International Electrotechnical Commission (IEC) on all matters of electrotechnical standardization.

The procedures used to develop this document and those intended for its further maintenance are described in the ISO/IEC Directives, Part 1. In particular the different approval criteria needed for the different types of ISO documents should be noted. This document was drafted in accordance with the editorial rules of the ISO/IEC Directives, Part 2 (see www.iso.org/directives).

Attention is drawn to the possibility that some of the elements of this document may be the subject of patent rights. ISO shall not be held responsible for identifying any or all such patent rights. Details of any patent rights identified during the development of the document will be in the Introduction and/or on the ISO list of patent declarations received (see www.iso.org/patents).

Any trade name used in this document is information given for the convenience of users and does not constitute an endorsement.

For an explanation on the voluntary nature of standards, the meaning of ISO specific terms and expressions related to conformity assessment, as well as information about ISO's adherence to the World Trade Organization (WTO) principles in the Technical Barriers to Trade (TBT) see the following URL: www.iso.org/iso/foreword.html. (standards.iteh.ai)

This document was prepared by Technical Committee ISO/TC 79, *Light metals and their alloys*, Subcommittee SC 2, *Organic and anodic oxidation coatings on aluminium*.

This third edition cancels and replaces the second edition (ISO 10216:2010), which has been technically revised.

The main changes compared to the previous edition are as follows:

- the tolerance of the width of the slit has been revised;
- the figures have been revised;
- a combed sliding shutter figure has been added;
- information about the test specimen has been added.

Introduction

Estimation of the image clarity of anodic oxidation coatings on aluminium and its alloys is normally carried out visually by observing the clearness of an image on the surface. However, the image can be observed at various angles and be confused with the gloss level of a surface, and while the degree of image clarity is mainly influenced by the clearness of the coating, it is also affected by image distortion caused by surface irregularities and the haziness of the coating layer. Standardized methods of determining image clarity are therefore required.

This document specifies the use of an instrumental method for measuring image clarity using an optical comb. A related document, ISO 10215, specifies the use of a chart scale also based on an optical comb together with a lightness scale to rank image clarity.

NOTE This instrumental method provides more accurate measurements of image clarity than visual evaluation and can be used in cases of dispute.

iTeh STANDARD PREVIEW (standards.iteh.ai)

[ISO 10216:2017](https://standards.iteh.ai/catalog/standards/sist/e129042a-b756-4da8-b3bf-47a28369c1e5/iso-10216-2017)

<https://standards.iteh.ai/catalog/standards/sist/e129042a-b756-4da8-b3bf-47a28369c1e5/iso-10216-2017>

iTeh STANDARD PREVIEW
(standards.iteh.ai)

ISO 10216:2017

<https://standards.iteh.ai/catalog/standards/sist/e129042a-b756-4da8-b3bf-47a28369c1e5/iso-10216-2017>

Anodizing of aluminium and its alloys — Instrumental determination of image clarity of anodic oxidation coatings — Instrumental method

1 Scope

This document specifies an instrumental method for determining the image clarity of anodic oxidation coatings on aluminium and its alloys by measuring reflection from the surface with the help of a sliding combed shutter.

The test can only be applied to a flat surface which can reflect the image onto the limited combed shutter and photo-receiver. This method can also be used to measure the optical evenness of anodic oxidation coatings on aluminium and its alloys.

2 Normative references

The following documents are referred to in the text in such a way that some or all of their content constitutes requirements of this document. For dated references, only the edition cited applies. For undated references, the latest edition of the referenced document (including any amendments) applies.

ISO 7583, *Anodizing of aluminium and its alloys — Terms and definitions*

ISO 7668, *Anodizing of aluminium and its alloys — Measurement of specular reflectance and specular gloss of anodic oxidation coatings at angles of 20°, 45°, 60° or 85°*

<https://standards.iteh.ai/catalog/standards/sist/e129042a-b756-4da8-b3bf-47a28369c1e5/iso-10216-2017>

3 Terms and definitions

For the purposes of this document, the terms and definitions given in ISO 7583 and the following apply.

ISO and IEC maintain terminological databases for use in standardization at the following addresses:

— ISO Online browsing platform: available at <http://www.iso.org/obp>

— IEC Electropedia: available at <http://www.electropedia.org/>

3.1

image clarity

C_n

ability of the surface of an anodic oxidation coating to produce a clear image of an object facing the surface

Note 1 to entry: Image clarity is expressed as a percentage.

3.2

optical evenness

E

degree of evenness (surface irregularities) given by the ratio of the longitudinal and transverse values of the *image clarity* (3.1)

3.3

dispersion of light

D

degree of dispersion of reflected light by the test specimen

4 Principle

A light source illuminates the slit and is converted to parallel light through a collimating lens. It is reflected at the surface of the test specimen, which is set at 45° to the incident light, and is then focused on a combed sliding shutter through a de-collimating lens. In cases where the test specimen has a completely flat and smooth surface, the reflected light is concentrated as a sharp image of the slit at the combed sliding shutter. The shutter is slid laterally. When the transparent portion of the combed sliding shutter coincides with the reflected slit image, the reflected light passes completely and the maximum light intensity is received by the photo-receiver. In cases where the test specimen has a matt surface, the reflected light passes partially through the transparent portion of the combed sliding shutter and a lower light intensity is received, depending on the degree of dispersion by the test specimen. This difference corresponds to the image clarity. Optical evenness is shown by the ratio of the longitudinal and transverse values (see 8.4).

5 Apparatus

An example of the apparatus is shown in [Figure 1](#).

5.1 Flat surface of the test specimen, set at 45° to the incident light and with the reflected image measured at 45° in the specular direction.

5.2 Lenses, focal length of 130 mm.

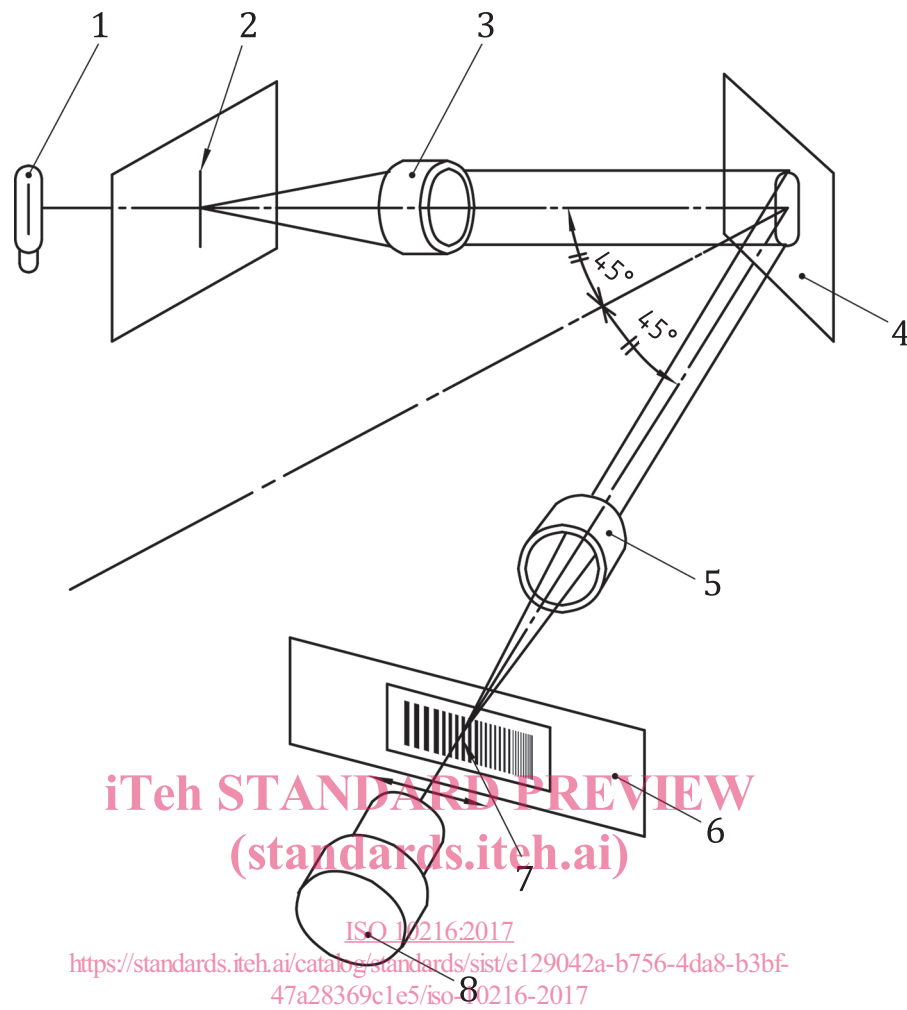
5.3 Light source, filament not larger than 0,05 mm and capable of providing a constant light intensity during measurement.

5.4 Slit, 0,02 mm ± 0,01 mm in width and about 20 mm in length.

5.5 Combed sliding shutter (see [Figure 2](#)), thin sheet with optical slits having a ratio of width of transparent portion to opaque portion of 1:1. Five different widths of 0,125 mm, 0,25 mm, 0,5 mm, 1,0 mm and 2,0 mm are incorporated.

5.6 Photo-receiver, adjustable to the received light intensity.

5.7 Black glass, which shall conform to ISO 7668.



Key

- | | |
|--------------------|--------------------------|
| 1 light source | 5 de-collimating lens |
| 2 slit | 6 combed sliding shutter |
| 3 collimating lens | 7 reflected slit image |
| 4 test specimen | 8 photo-receiver |

Figure 1 — Example of apparatus for image clarity measurement