



**SLOVENSKI STANDARD**  
**oSIST prEN ISO 12217-3:2021**  
**01-januar-2021**

---

**Mala plovila - Stabilnost in ocena vzgona ter kategorizacija - 3. del: Čolni s trupom, krajšim od 6 m (ISO/FDIS 12217-3:2020)**

Small craft - Stability and buoyancy assessment and categorization - Part 3: Boats of hull length less than 6 m (ISO/FDIS 12217-3:2020)

Kleine Wasserfahrzeuge - Festlegung und Kategorisierung von Stabilität und Auftrieb - Teil 3: Boote unter 6 m Rumpflänge (ISO/FDIS 12217-3:2020)

Petits navires - Évaluation et catégorisation de la stabilité et de la flottabilité - Partie 3: Bateaux d'une longueur de coque inférieure à 6 m (ISO/FDIS 12217-3:2020)

<https://standards.iteh.ai/catalog/standards/sist/7168783f-fd4a-4605-9aab-a4b9370e654/osist-pr-en-iso-12217-3-2021>

**Ta slovenski standard je istoveten z: prEN ISO 12217-3**

---

**ICS:**

47.080      Čolni      Small craft

**oSIST prEN ISO 12217-3:2021**      **en,fr,de**

**iTeh STANDARD PREVIEW**  
**(standards.iteh.ai)**

[oSIST prEN ISO 12217-3:2021](https://standards.iteh.ai/catalog/standards/sist/7168783f-fd4a-4605-9aab-a4b93f29e654/osist-pren-iso-12217-3-2021)

<https://standards.iteh.ai/catalog/standards/sist/7168783f-fd4a-4605-9aab-a4b93f29e654/osist-pren-iso-12217-3-2021>

FINAL  
DRAFTINTERNATIONAL  
STANDARDISO/FDIS  
12217-3

ISO/TC 188

Secretariat: SIS

Voting begins on:  
2020-11-20Voting terminates on:  
2021-02-12**Small craft — Stability and buoyancy  
assessment and categorization —****Part 3:  
Boats of hull length less than 6 m***Petits navires — Évaluation et catégorisation de la stabilité et de la  
flottabilité —***iTeh STANDARD PREVIEW**  
**(standards.iteh.ai)***Partie 3: Bateaux d'une longueur de coque inférieure à 6 m*

oSIST prEN ISO 12217-3:2021

<https://standards.iteh.ai/catalog/standards/sist/7168783f-fd4a-4605-9aab-a4b93f29e654/osist-pren-iso-12217-3-2021>**ISO/CEN PARALLEL PROCESSING**

RECIPIENTS OF THIS DRAFT ARE INVITED TO SUBMIT, WITH THEIR COMMENTS, NOTIFICATION OF ANY RELEVANT PATENT RIGHTS OF WHICH THEY ARE AWARE AND TO PROVIDE SUPPORTING DOCUMENTATION.

IN ADDITION TO THEIR EVALUATION AS BEING ACCEPTABLE FOR INDUSTRIAL, TECHNOLOGICAL, COMMERCIAL AND USER PURPOSES, DRAFT INTERNATIONAL STANDARDS MAY ON OCCASION HAVE TO BE CONSIDERED IN THE LIGHT OF THEIR POTENTIAL TO BECOME STANDARDS TO WHICH REFERENCE MAY BE MADE IN NATIONAL REGULATIONS.

Reference number  
ISO/FDIS 12217-3:2020(E)

© ISO 2020

## iTeh STANDARD PREVIEW (standards.iteh.ai)

[oSIST prEN ISO 12217-3:2021](https://standards.iteh.ai/catalog/standards/sist/7168783f-fd4a-4605-9aab-a4b93f29e654/osist-pren-iso-12217-3-2021)

<https://standards.iteh.ai/catalog/standards/sist/7168783f-fd4a-4605-9aab-a4b93f29e654/osist-pren-iso-12217-3-2021>



### **COPYRIGHT PROTECTED DOCUMENT**

© ISO 2020

All rights reserved. Unless otherwise specified, or required in the context of its implementation, no part of this publication may be reproduced or utilized otherwise in any form or by any means, electronic or mechanical, including photocopying, or posting on the internet or an intranet, without prior written permission. Permission can be requested from either ISO at the address below or ISO's member body in the country of the requester.

ISO copyright office  
CP 401 • Ch. de Blandonnet 8  
CH-1214 Vernier, Geneva  
Phone: +41 22 749 01 11  
Email: [copyright@iso.org](mailto:copyright@iso.org)  
Website: [www.iso.org](http://www.iso.org)

Published in Switzerland

# Contents

Page

<b>Foreword</b> .....	<b>v</b>
<b>Introduction</b> .....	<b>vi</b>
<b>1 Scope</b> .....	<b>1</b>
<b>2 Normative references</b> .....	<b>2</b>
<b>3 Terms and definitions</b> .....	<b>2</b>
3.1 Primary.....	3
3.2 Downflooding.....	5
3.3 Condition and mass.....	5
3.4 Other definitions.....	7
<b>4 Symbols</b> .....	<b>9</b>
<b>5 Procedure</b> .....	<b>10</b>
5.1 Maximum load.....	10
5.2 Sailing or non-sailing.....	10
5.3 Tests to be applied.....	11
5.3.1 General.....	11
5.4 Alternatives.....	11
5.5 Variation in input parameters.....	11
<b>6 Tests to be applied to non-sailing boats</b> .....	<b>12</b>
6.1 General.....	12
6.2 Habitable non-sailing multihull boats.....	13
6.3 Downflooding.....	13
6.3.1 Requirements for downflooding openings.....	13
6.3.2 Downflooding height with maximum load.....	15
6.3.3 Downflooding height — outboard boats when starting.....	17
6.4 Recess size.....	17
6.4.1 Application.....	17
6.4.2 Simplified methods.....	18
6.4.3 Direct calculation method.....	20
6.5 Offset-load test.....	20
6.5.1 General.....	20
6.5.2 Simplified procedure for offset-load test.....	22
6.5.3 Full procedure for offset load-test.....	23
6.5.4 Procedure for gunwale load test.....	25
6.6 Heel due to wind action.....	26
6.6.1 General.....	26
6.6.2 Calculation.....	26
6.6.3 Requirement.....	27
6.7 Level flotation test.....	27
6.8 Basic flotation test.....	27
6.9 Capsize-recovery test.....	27
6.10 Detection and removal of water.....	28
<b>7 Tests to be applied to sailing boats</b> .....	<b>29</b>
7.1 General.....	29
7.2 Downflooding.....	30
7.3 Recess size.....	30
7.4 Flotation tests.....	30
7.4.1 Level flotation test.....	30
7.4.2 Basic flotation test.....	31
7.5 Capsize-recovery test.....	31
7.6 Knockdown recovery test.....	32
7.7 Wind stiffness test.....	33
7.7.1 General.....	33

## ISO/FDIS 12217-3:2020(E)

7.7.2	Practical test.....	33
7.7.3	Compliance by calculation.....	35
7.7.4	Requirements.....	35
7.8	Inverted buoyancy.....	36
<b>8</b>	<b>Safety signs.....</b>	<b>37</b>
<b>9</b>	<b>Application.....</b>	<b>37</b>
9.1	Deciding the design category.....	37
9.2	Meaning of the design categories.....	37
<b>Annex A</b>	<b>(normative) Full method for required downflooding height.....</b>	<b>39</b>
<b>Annex B</b>	<b>(normative) Methods for calculating downflooding angle.....</b>	<b>41</b>
<b>Annex C</b>	<b>(normative) Method for flotation tests.....</b>	<b>43</b>
<b>Annex D</b>	<b>(normative) Flotation material and elements.....</b>	<b>48</b>
<b>Annex E</b>	<b>(normative) Calculation method for basic flotation requirement.....</b>	<b>50</b>
<b>Annex F</b>	<b>(normative) Information for owner's manual.....</b>	<b>52</b>
<b>Annex G</b>	<b>(informative) Summary of requirements.....</b>	<b>56</b>
<b>Annex H</b>	<b>(informative) Worksheets.....</b>	<b>58</b>
<b>Annex I</b>	<b>(informative) Illustration of recess retention level.....</b>	<b>75</b>
<b>Annex ZA</b>	<b>(informative) Relationship between this European Standard and the essential requirements of Directive 2013/53/EU aimed to be covered.....</b>	<b>76</b>
<b>Bibliography</b>	<b>.....</b>	<b>78</b>

(standards.iteh.ai)

oSIST prEN ISO 12217-3:2021

<https://standards.iteh.ai/catalog/standards/sist/7168783f-fd4a-4605-9aab-a4b93f29e654/osist-pren-iso-12217-3-2021>

## Foreword

ISO (the International Organization for Standardization) is a worldwide federation of national standards bodies (ISO member bodies). The work of preparing International Standards is normally carried out through ISO technical committees. Each member body interested in a subject for which a technical committee has been established has the right to be represented on that committee. International organizations, governmental and non-governmental, in liaison with ISO, also take part in the work. ISO collaborates closely with the International Electrotechnical Commission (IEC) on all matters of electrotechnical standardization.

The procedures used to develop this document and those intended for its further maintenance are described in the ISO/IEC Directives, Part 1. In particular, the different approval criteria needed for the different types of ISO documents should be noted. This document was drafted in accordance with the editorial rules of the ISO/IEC Directives, Part 2 (see [www.iso.org/directives](http://www.iso.org/directives)).

Attention is drawn to the possibility that some of the elements of this document may be the subject of patent rights. ISO shall not be held responsible for identifying any or all such patent rights. Details of any patent rights identified during the development of the document will be in the Introduction and/or on the ISO list of patent declarations received (see [www.iso.org/patents](http://www.iso.org/patents)).

Any trade name used in this document is information given for the convenience of users and does not constitute an endorsement.

For an explanation of the voluntary nature of standards, the meaning of ISO specific terms and expressions related to conformity assessment, as well as information about ISO's adherence to the World Trade Organization (WTO) principles in the Technical Barriers to Trade (TBT), see [www.iso.org/iso/foreword.html](http://www.iso.org/iso/foreword.html).

This document was prepared by Technical Committee ISO/TC 188, *Small craft*, in collaboration with the European Committee for Standardization (CEN) Technical Committee CEN/TC 464, *Small craft*, in accordance with the Agreement on technical cooperation between ISO and CEN (Vienna Agreement).

This fourth edition of ISO 12217-3 cancels and replaces the third edition (ISO 12217-3:2015), of which it constitutes a minor revision. The changes compared to the previous edition are as follows:

- all normative references have been updated and dated;
- the “allowance for the maximum mass of optional equipment and fittings not included in the manufacturer’s basic outfit” has been moved from [3.3.3](#) (maximum load) to [3.3.4](#) (maximum load condition);
- in Annex H, the calculation worksheet No. 1 has been corrected to reflect the above;
- minor editorial changes throughout the document.

A list of all parts in the ISO 12217 series can be found on the ISO website.

Any feedback or questions on this document should be directed to the user’s national standards body. A complete listing of these bodies can be found at [www.iso.org/members.html](http://www.iso.org/members.html).

## ISO/FDIS 12217-3:2020(E)

### Introduction

This document enables the determination of the limiting environmental conditions to be determined for which an individual boat has been designed.

It enables the boat to be assigned to a design category appropriate to its design and maximum load. The design categories used align with those in the Recreational Craft Directive of the European Union, EU Directive 2013/53/EU.

[Annex H](#) provides worksheets to assist in the systematic assessment of a boat according to this document.

## iTeh STANDARD PREVIEW (standards.iteh.ai)

[oSIST prEN ISO 12217-3:2021](#)

<https://standards.iteh.ai/catalog/standards/sist/7168783f-fd4a-4605-9aab-a4b93f29e654/osist-pren-iso-12217-3-2021>



# Small craft — Stability and buoyancy assessment and categorization —

## Part 3: Boats of hull length less than 6 m

**CAUTION** — Compliance with this document does not guarantee total safety or total freedom of risk from capsize or sinking.

**IMPORTANT** — The electronic file of this document contains colours which are considered to be useful for the correct understanding of the document. Users should therefore consider printing this document using a colour printer.

### 1 Scope

This document specifies methods for evaluating the stability and buoyancy of intact (i.e. undamaged) boats. The flotation characteristics of craft susceptible to swamping are also encompassed.

The evaluation of stability and buoyancy properties using this document will enable the boat to be assigned to a design category (C or D) appropriate to its design and maximum load.

This document is applicable to boats of hull length less than 6 m, whether propelled by human or mechanical power, except habitable sailing multihulls. Boats of hull length less than 6 m which are fitted with a full deck and quick-draining cockpit(s) complying with ISO 11812:2020 may alternatively be assessed using ISO 12217-1 or ISO 12217-2 (for non-sailing and sailing boats, respectively), in which case higher design categories may be assigned.

In relation to habitable multihulls, this document includes assessment of susceptibility to inversion, definition of viable means of escape and requirements for inverted flotation.

This document excludes:

- inflatable and rigid-inflatable boats covered by ISO 6185, except for references made in ISO 6185 to specific clauses of ISO 12217;
- personal watercraft covered by ISO 13590 and other similar powered craft;
- aquatic toys;
- canoes and kayaks;
- gondolas and pedalos;
- sailing surfboards;
- surfboards, including powered surfboards;
- hydrofoils, foil stabilized boats and hovercraft when not operating in the displacement mode; and
- submersibles.

**NOTE** Displacement mode means that the boat is only supported by hydrostatic forces.

It does not include or evaluate the effects on stability of towing, fishing, dredging or lifting operations, which need to be separately considered if appropriate.

## ISO/FDIS 12217-3:2020(E)

### 2 Normative references

The following documents are referred to in the text in such a way that some or all of their content constitutes requirements of this document. For dated references, only the edition cited applies. For undated references, the latest edition of the referenced document (including any amendments) applies.

ISO 2896:2001, *Rigid cellular plastics — Determination of water absorption*

ISO 3864-1:2011, *Graphical symbols — Safety colours and safety signs — Part 1: Design principles for safety signs and safety markings*

ISO 8666:2020, *Small craft — Principal data*

ISO 9093:—<sup>1)</sup>, *Small craft — Seacocks and through-hull fittings*

ISO 10240:2019, *Small craft — Owner's manual*

ISO 11812:2020, *Small craft — Watertight or quick-draining recesses and cockpits*

ISO 12216:2020, *Small craft — Windows, portlights, hatches, deadlights and doors — Strength and watertightness requirements*

ISO 12217-1:—<sup>2)</sup>, *Small craft — Stability and buoyancy assessment and categorization — Part 1: Non-sailing boats of hull length greater than or equal to 6 m*

ISO 12217-2:—<sup>3)</sup>, *Small craft — Stability and buoyancy assessment and categorization — Part 2: Sailing boats of hull length greater than or equal to 6 m*

ISO 14946:—<sup>4)</sup>, *Small craft — Maximum load capacity*

ISO 15083:2020, *Small craft — Bilge-pumping systems*

ISO 15085:2003+Amd 2:2017, *Small craft — Man-overboard prevention and recovery*

STANDARD PREVIEW  
(standards.iteh.ai)  
oSIST prEN ISO 12217-3:2021  
<https://standards.iteh.ai/catalog/standards/sist/a4b93f29e654/osist-pren-iso-12217-3-2021>

### 3 Terms and definitions

For the purposes of this document, the following terms and definitions apply.

ISO and IEC maintain terminological databases for use in standardization at the following addresses:

- ISO Online browsing platform: available at <https://www.iso.org/obp>
- IEC Electropedia: available at <http://www.electropedia.org/>

NOTE The meanings of certain symbols used in the definitions are given in [Clause 4](#).

1) Under preparation, revision of ISO 9093-1:1994 and ISO 9093-2:2002. Stage at the time of publication of this FDIS: ISO/FDIS 9093:2020. At publication of ISO 12217-3, the publication date of ISO 9093 will be updated and this footnote removed.

2) Under preparation, revision of ISO 12217-1:2015. Stage at the time of publication of this FDIS: ISO/FDIS 12217-1:2020. At publication of ISO 12217-3, the publication date of ISO 12217-1 will be updated and this footnote removed.

3) Under preparation, revision of ISO 12217-2:2015. Stage at the time of publication of this FDIS: ISO/FDIS 12217-2:2020. At publication of ISO 12217-3, the publication date of ISO 12217-2 will be updated and this footnote removed.

4) Under preparation, revision of ISO 14946:2001. Stage at the time of publication of this FDIS: ISO/FDIS 14946.2:2020. At publication of ISO 12217-3, the publication date of ISO 14946 will be updated and this footnote removed.

### 3.1 Primary

#### 3.1.1

##### **design category**

description of the sea and wind conditions for which a boat is assessed to be suitable

Note 1 to entry: See also [9.2](#).

#### 3.1.2

##### **recess**

volume open to the air that might retain water within the range of loading conditions and corresponding trims

EXAMPLE Cockpits, wells, open volumes or areas bounded by bulwarks or coamings.

Note 1 to entry: Cabins, shelters or lockers provided with closures according to the requirements of ISO 12216 are not recesses.

Note 2 to entry: Cockpits that are open aft to the sea are considered to be recesses. Flush decks without bulwarks or coamings are not recesses.

#### 3.1.3

##### **quick-draining recess**

recess fulfilling all the requirements of ISO 11812 for “quick-draining cockpits and recesses”

Note 1 to entry: ISO 11812 contains requirements with which most sailing dinghies cannot comply.

Note 2 to entry: According to its characteristics, a cockpit may be considered to be quick-draining for one design category, but not for a higher category.

#### 3.1.4

##### **watertight recess**

recess fulfilling all the requirements of ISO 11812 for “watertight cockpits and recesses”

Note 1 to entry: This term only implies requirements in respect of watertightness and sill heights, but not those for drainage.

#### 3.1.5

##### **fully enclosed boat**

boat in which the horizontal projection of the sheerline area comprises any combination of:

- watertight deck and superstructure, and/or
- quick-draining recesses complying with ISO 11812, and/or
- watertight recesses complying with ISO 11812 with a combined volume of less than  $(L_H B_H F_M)/40$ , and

all closing appliances having their degree of watertightness in accordance with ISO 12216

Note 1 to entry: The size of recesses permitted for some boats of design category C is restricted by the requirements of [6.4](#).

#### 3.1.6

##### **partially protected boat**

boat which does not fulfil the definition of a fully-enclosed boat and in which the plan projected area of decking, cabins, shelters, outboard engine wells or other rigid covers which are watertight from above according to ISO 12216 and which immediately shed water directly overboard (i.e. not via drains) and

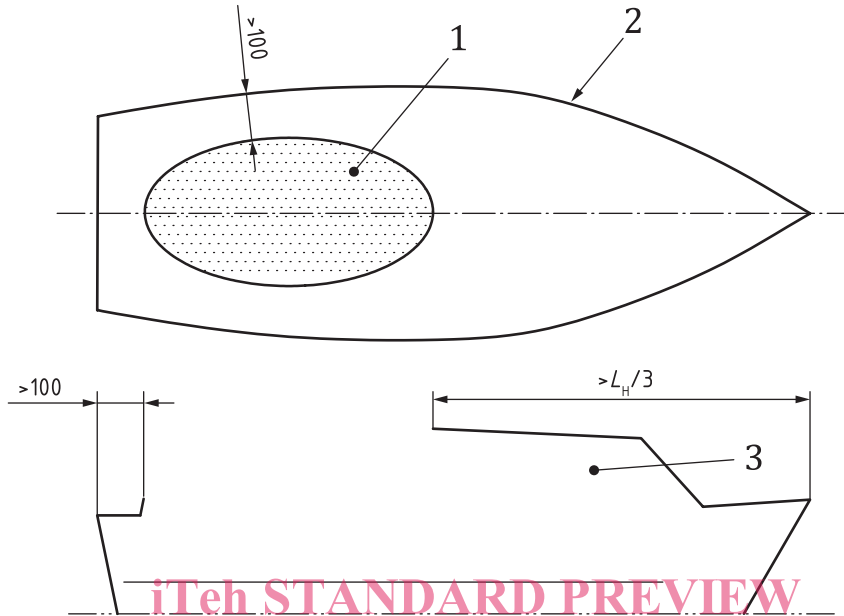
- comprises at least one-third of the plan projected area of the sheerline, and
- includes all the area within  $L_H/3$  from the bow, and
- includes at least 100 mm inboard from the sheerline,

ISO/FDIS 12217-3:2020(E)

except that the area of any watertight recesses with a total volume of less than  $(L_H B_H F_M)/40$  may shed water via drains

Note 1 to entry: This is illustrated in [Figure 1](#).

Note 2 to entry: Outboard engine wells are considered to provide a covering suitable for this purpose.



Key

- 1 recess area open from above (less than two-thirds of the total sheerline area)
- 2 sheerline
- 3 open shelter or enclosed cabin

(standards.iteh.ai)

oSIST prEN ISO 12217-3:2021

<https://standards.iteh.ai/catalog/standards/sist/7168783f-fd4a-4605-9aab-a4b93f29e654/osist-pren-iso-12217-3-2021>

Figure 1 — Partially protected boat

3.1.7 habitable boat

boat having a fully enclosed cabin with rigid roof fitted with one or more bunks, benches, pipecots, hammocks or similar locations that can be used for sleeping when the boat is under way

Note 1 to entry: A boat is considered to be “habitable” if a fabric closure is used instead of a rigid door, or the cabin has fabric sides.

Note 2 to entry: The following are not considered to render a boat “habitable”:

- a cockpit tent, or
- an open-sided cuddy intended to provide limited protection from spray, provided it is not fitted with fabric closures all round.

Note 3 to entry: Locations used for sleeping have minimum dimensions of 1,5 m diagonal length, 0,4 m width at the widest point, and with a minimum headroom of 0,4 m over the length. The cabin sole and compartments designated by the builder to be used exclusively for storage and referenced in the owner’s manual are not included.

## 3.2 Downflooding

### 3.2.1

#### downflooding opening

any opening in the hull or deck (including the edge of a recess) that might admit water into the interior or bilge of a boat, or a recess, apart from those excluded in [6.3.1.5](#)

### 3.2.2

#### downflooding height

$h_D$

smallest height above the waterline to any downflooding opening (apart from those excluded in [6.3.1.5](#)) when the boat is upright in calm water in the maximum load condition, measured to the critical downflooding point which might be within pipes or ducts inside the hull

Note 1 to entry: Downflooding height is expressed in metres.

### 3.2.3

#### downflooding angle

$\phi_D$

angle of heel at which the downflooding openings (apart from those excluded in [6.3.1.5](#)) become immersed, when the boat is in calm water and in the appropriate loading condition at design trim

Note 1 to entry: Downflooding angle may be determined using either of the methods in [Annex B](#).

Note 2 to entry: Where openings are not symmetrical about the centreline of the boat, the case resulting in the smallest angle is used.

Note 3 to entry: Downflooding angle is expressed in degrees.

## 3.3 Condition and mass

### 3.3.1

#### empty craft condition

empty boat including fittings and equipment as listed below but excluding all optional equipment and fittings not included in the manufacturer's basic outfit:

- a) structure: comprising all the structural parts, including any fixed ballast keel and/or drop keel/centreboard/daggerboard(s) and rudder(s);
- b) ballast: any fixed ballast installed;
- c) internal structure and accommodation: bulkheads and partitions, insulation, lining, built-in furniture, flotation material, windows, hatches and doors, permanently installed mattresses and upholstery materials;
- d) permanently installed engine(s) and fuel system: comprising inboard engine(s), including all supplies and controls as needed for their operation, permanently installed fuel systems, including tanks;
- e) fluids in permanently installed systems: residual working fluids as needed for their operation (see examples below), but excluding contents of fluid ballast systems and tanks, and main storage tanks which are included in maximum load;

EXAMPLES fluids in hot or cold water, fuel, lubricating or hydraulic oil systems.

- f) internal equipment: including:

- all items of equipment permanently attached to the craft, e.g. tanks, toilet system(s), water transfer equipment;
- bilge pumping system(s), cooking and heating devices, cooling equipment, ventilation system(s);

## ISO/FDIS 12217-3:2020(E)

- electrical installation and equipment, including permanently installed batteries mounted in the position intended by the builder;
  - fixed navigational and electronic equipment;
  - fixed fire fighting equipment, where fitted;
- g) external equipment: including:
- all permanently attached standard or specified deck fittings, e.g. guardrails, pulpits and pushpits, bowsprits and their attachments, bathing platforms, boarding ladders, steering equipment, winches, sprayhood(s);
  - awning(s), cockpit tables, gratings, signal mast(s), where fitted;
  - mast(s), boom(s), standing and running rigging, in the stowed position ready for use; all standing and running rigging in place;

Note 1 to entry: The mass in the empty craft condition is denoted by  $m_{EC}$  and is expressed in kilograms.

## 3.3.2

**light craft condition**

empty craft condition plus *standard equipment* (3.4.10) plus removable ballast (whether solid or liquid) when supplied and/or intended by the manufacturer to be carried when the boat is afloat, with elements positioned as follows:

- a) where provision is made for propulsion by outboard engine(s) of more than 3 kW, the heaviest engine(s) recommended for the boat by the manufacturer, mounted in the working position(s);
- b) where batteries are fitted, they are mounted in the position intended by the builder, and if there is no specific stowage provided for batteries, the mass of one battery for each engine over 7 kW is allowed for, and located within 1,0 m of the engine location;
- c) all upwind sails supplied or recommended by the builder as standard, onboard and rigged ready for use, but not hoisted, e.g. mainsail on boom, roller furling sails furled, hanked foresails on stay stowed on foredeck

Note 1 to entry: For the minimum mass of outboard engines and batteries, refer to [Tables C.1](#) and [C.2](#).

Note 2 to entry: The mass in the light craft condition is denoted by  $m_{LC}$  and is expressed in kilograms.

## 3.3.3

**maximum load**

greatest load which the boat is designed to carry in addition to the light craft condition, comprising:

- the crew limit at 75 kg each (adult) or 37,5 kg (child);
- the personal effects of the crew;
- stores and cargo (if any), dry provisions, consumable liquids;
- contents of all permanently installed storage tanks filled to 95 % of their maximum capacity, including fuel, drinking water, black water, grey water, lubricating and hydraulic oil, bait tanks and/or live wells plus ballast water at 100 % capacity;
- consumable liquids in portable tanks (drinking water, fuel) filled to 95 % of the maximum capacity;
- dinghy or other small craft intended to be carried aboard, and any outboard motor associated with them;
- liferaft(s) if carried in excess of the minimum required in essential safety equipment;

- non-edible stores and equipment normally carried on the boat and not included in the manufacturer's list of standard equipment, e.g. loose internal equipment and tools, spare parts, additional anchors or sails, dinghy and outboard if carried aboard;

Note 1 to entry: Liferrafts are not included in essential safety equipment for Categories C and D.

Note 2 to entry: As a guide, not less than 20 kg/person should be allowed for personal effects on habitable boats

Note 3 to entry: As a guide, the mass of yachting liferafts varies from approximately 12 + 2CL (kg) to double this, according to specification.

Note 4 to entry: The mass of maximum load is denoted by  $m_L$  and is expressed in kilograms.

### 3.3.4

#### maximum load condition

boat in the light craft condition with the maximum load added and an allowance for the maximum mass of optional equipment and fittings not included in the manufacturer's basic outfit so as to produce the design trim

Note 1 to entry: The mass in the maximum load condition is denoted by  $m_{LDC}$  and is expressed in kilograms.

### 3.3.5

#### loaded arrival condition

boat in the maximum load condition minus 85 % of the maximum capacity of fixed or portable storage tanks for fuel, oils and drinking water, and minus 90 % of edible stores, but including the worst combination of optional fittings or equipment with respect to stability

Note 1 to entry: In this condition, tanks have 10 % of their maximum capacity remaining.

Note 2 to entry: The mass in the loaded arrival condition is denoted by  $m_{LA}$  and is expressed in kilograms.

## 3.4 Other definitions

### 3.4.1

#### crew

collective description of all persons on board a boat

### 3.4.2

#### crew limit

##### CL

maximum number of persons (with a mass of 75 kg each) used when assessing the design category

Note 1 to entry: A half number denotes a child weighing less than 37,5 kg.

### 3.4.3

#### design trim

longitudinal attitude of a boat when upright, with crew, fluids, stores and equipment in the positions designated by the designer or builder

Note 1 to entry: Crew are assumed to be in positions designated by the builder. In the absence of builder's instructions, crew and gear are assumed to be positioned in a manner most likely to provide a favourable test result, provided that such positions are consistent with the proper operation of the boat and that crew are assumed to be either standing at designated positions fitted with handholds, or seated.

### 3.4.4

#### essential safety equipment

loose equipment considered essential to the safe operation of the boat, which may include distress flares and rockets, lifebuoy with light and battery, first aid box, wire cutters for standing rigging, lifejackets, safety harnesses and lines, portable fire fighting equipment, flashlight, binoculars, radio (e.g. VHF), ball and cone visual signals, charts and navigational publications in the corresponding design category

Note 1 to entry: Quantities carried may vary according to the size of boat, design category and crew limit.