



SLOVENSKI STANDARD
SIST EN 17461:2023

01-november-2023

Gimnastična oprema - Individualne in večnamenske švedske skrinje - Varnostne zahteve in preskusne metode

Gymnastic equipment - Individual and multifunctional vaulting boxes - Safety requirements and test methods

Turngeräte - Individuelle und multifunktionale Sprungkästen - Sicherheitstechnische Anforderungen und Prüfverfahren

Matériel de gymnastique - Plinths individuels et multifonctions - Exigences de sécurité et méthodes d'essai

Ta slovenski standard je istoveten z: EN 17461:2023

[SIST EN 17461:2023](https://standards.sistoni/catalog/standards/sist/2946923d/2023-1341-6861-11937000120/sist-en-17461-2023)

ICS:

97.220.30 Oprema za dvoranske športe Indoor sports equipment

SIST EN 17461:2023

en,fr,de

EUROPEAN STANDARD

EN 17461

NORME EUROPÉENNE

EUROPÄISCHE NORM

February 2023

ICS 97.220.30

English Version

Gymnastic equipment - Individual and multifunctional vaulting boxes - Safety requirements and test methods

Matériel de gymnastique - Plinths individuels et multifonctions - Exigences de sécurité et méthodes d'essai

Turngeräte - Individuelle und multifunktionale Sprungkästen - Sicherheitstechnische Anforderungen und Prüfverfahren

This European Standard was approved by CEN on 25 December 2022.

CEN members are bound to comply with the CEN/CENELEC Internal Regulations which stipulate the conditions for giving this European Standard the status of a national standard without any alteration. Up-to-date lists and bibliographical references concerning such national standards may be obtained on application to the CEN-CENELEC Management Centre or to any CEN member.

This European Standard exists in three official versions (English, French, German). A version in any other language made by translation under the responsibility of a CEN member into its own language and notified to the CEN-CENELEC Management Centre has the same status as the official versions.

CEN members are the national standards bodies of Austria, Belgium, Bulgaria, Croatia, Cyprus, Czech Republic, Denmark, Estonia, Finland, France, Germany, Greece, Hungary, Iceland, Ireland, Italy, Latvia, Lithuania, Luxembourg, Malta, Netherlands, Norway, Poland, Portugal, Republic of North Macedonia, Romania, Serbia, Slovakia, Slovenia, Spain, Sweden, Switzerland, Türkiye and United Kingdom.

Document Preview

[SIST EN 17461:2023](https://standards.iteh.ai/catalog/standards/sist/29a8323d-502d-45ff-8be1-4f9370eba12c/sist-en-17461-2023)

<https://standards.iteh.ai/catalog/standards/sist/29a8323d-502d-45ff-8be1-4f9370eba12c/sist-en-17461-2023>



EUROPEAN COMMITTEE FOR STANDARDIZATION
COMITÉ EUROPÉEN DE NORMALISATION
EUROPÄISCHES KOMITEE FÜR NORMUNG

CEN-CENELEC Management Centre: Rue de la Science 23, B-1040 Brussels

Contents	Page
European foreword	3
1 Scope	4
2 Normative references	4
3 Terms and definitions	4
4 Requirements	4
4.1 Classification	4
4.2 Dimensions	5
4.3 Performance of padded box top	6
4.4 Entrapment	6
4.5 Floor projection	6
5 Materials	7
6 Safety requirements	7
6.1 General	7
6.2 Stability	7
6.3 Strength	7
6.4 Durability of construction	7
7 Usage in combination with other equipment	7
7.1 General	7
7.2 Accessories	7
8 Test methods	8
8.1 Determination of stability	8
8.2 Determination of strength	9
8.3 Determination of durability of construction	9
9 Warning	10
10 Marking	10
Annex A (informative) Examples of vaulting boxes	11
Annex B (informative) Examples of accessories for vaulting boxes and relevant attachment points at risk assessment	13
Annex C (informative) Examples typical combinations	17
Bibliography	18

European foreword

This document (EN 17461:2023) has been prepared by Technical Committee CEN/TC 136 “Sports, playground and other recreational facilities and equipment”, the secretariat of which is held by DIN.

This European Standard shall be given the status of a national standard, either by publication of an identical text or by endorsement, at the latest by August 2023, and conflicting national standards shall be withdrawn at the latest by August 2023.

Attention is drawn to the possibility that some of the elements of this document may be the subject of patent rights. CEN shall not be held responsible for identifying any or all such patent rights.

Any feedback and questions on this document should be directed to the users’ national standards body. A complete listing of these bodies can be found on the CEN website.

According to the CEN-CENELEC Internal Regulations, the national standards organisations of the following countries are bound to implement this European Standard: Austria, Belgium, Bulgaria, Croatia, Cyprus, Czech Republic, Denmark, Estonia, Finland, France, Germany, Greece, Hungary, Iceland, Ireland, Italy, Latvia, Lithuania, Luxembourg, Malta, Netherlands, Norway, Poland, Portugal, Republic of North Macedonia, Romania, Serbia, Slovakia, Slovenia, Spain, Sweden, Switzerland, Türkiye and the United Kingdom.

iTeh Standards
(<https://standards.itih.ai>)
Document Preview

[SIST EN 17461:2023](https://standards.itih.ai/catalog/standards/sist/29a8323d-502d-45ff-8be1-4f9370eba12c/sist-en-17461-2023)

<https://standards.itih.ai/catalog/standards/sist/29a8323d-502d-45ff-8be1-4f9370eba12c/sist-en-17461-2023>

EN 17461:2023 (E)

1 Scope

This document specifies functional requirements and specific safety requirements in addition to the general safety standard EN 913 for gymnastic and vaulting boxes for individual or multifunctional use. This document also specifies requirements when multifunctional boxes are used in combination with accessories.

2 Normative references

The following documents are referred to in the text in such a way that some or all of their content constitutes requirements of this document. For dated references, only the edition cited applies. For undated references, the latest edition of the referenced document (including any amendments) applies.

EN 913:2018+A1:2021, *Gymnastic equipment — General safety requirements and test methods*

3 Terms and definitions

For the purposes of this document, the following terms and definitions apply.

ISO and IEC maintain terminological databases for use in standardization at the following addresses:

- IEC Electropedia: available at <https://www.electropedia.org/>
- ISO Online browsing platform: available at <https://www.iso.org/obp>

3.1

vaulting box

sectioned box that is padded, used in gymnastics

3.2

multifunctional vaulting box

multi-purpose apparatus with connection points and openings provided to use the vaulting box in combination with other vaulting boxes or accessories

4 Requirements

4.1 Classification

Multifunctional vaulting boxes shall be classified by the design (types) as shown in Table 1. Examples are given in Annex A.

Table 1 — Classification of vaulting boxes

Type	Description	Example
1	rectangular vaulting box with individual box sections and padded top box	Figure A.1
2	rectangular mini vaulting box with padded top or flat top	Figure A.2
3	pyramidal vaulting box with individual box sections and padded top box	Figure A.3
4	padded vaulting table with supporting frame	Figure A.4
5	pyramidal to rectangular vaulting box with individual box sections and padded top box	Figure A.5
6	rectangular multifunctional vaulting box with individual box sections and padded top box	Figure A.6
7	pyramidal multifunctional vaulting box with individual box sections and padded top box	Figure A.7
8	vaulting box or table with padded top with any other design which fulfils dimensions and safety requirements of this standard	Figure A.8

4.2 Dimensions

Top surfaces of the (multifunctional) vaulting boxes shall comply with the dimensions specified in Table 2.

Table 2 — Dimensions of top surfaces

Dimensions in millimetres

Range	Length <i>l</i>	Width <i>b</i>	Height <i>h</i>
Maximum	1 605	750	1 500
Minimum	700	500	400

Height of the (multifunctional) vaulting boxes shall comply with the dimensions specified in Table 3.

Table 3 — Dimensions of height

Type	Maximum height mm
1, 3, 5, 6, 7, 8	1 500
2	400
4	999

EN 17461:2023 (E)

4.3 Performance of padded box top

When tested according to EN 913:2018+A1:2021, Annex C, using a drop height of 300 mm, the peak acceleration shall not exceed 500 m/s^2 (50 g).

4.4 Entrapment

The connection points or gaps shall be positioned $\geq 90 \text{ mm}$ from the top of the (multifunctional) vaulting box (including padding), see Figure 1.

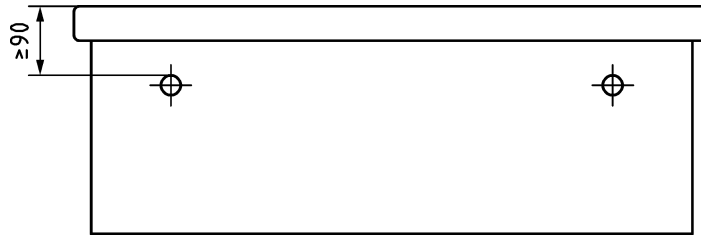


Figure 1 — Position of connection points or gaps

4.5 Floor projection

There should be no floor projection that could cause tripping. The maximum size of floor projection shall comply with the dimensions specified in Table 4. See Figure 2 for an example.

Table 4 — Dimensions of maximum size of projection

Type	Maximum height (length × width × height) mm
1, 6	155 × 90 × 50
2, 3, 4, 5, 7, 8	No floor projection allowed

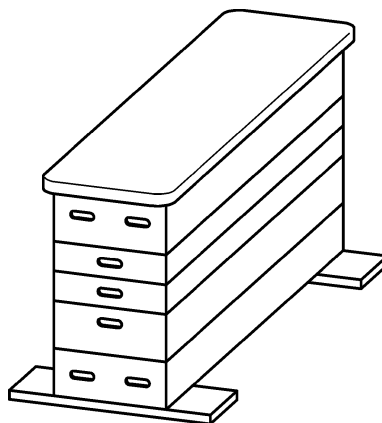


Figure 2 — Example vaulting box type 1

5 Materials

Materials shall be selected and protected such that the structural integrity of the equipment manufactured from them is not affected before the next relevant maintenance inspection.

NOTE 1 The provisions relating to certain materials in this document do not imply that other equivalent materials are unsuitable in the manufacture of multi-sports equipment.

The selection of materials and their use should be in accordance with the appropriate European standards where applicable.

In the choice of a material or substance for equipment, consideration should be given to the eventual disposal of the material or substance having regard to any possible environmental toxic hazard.

NOTE 2 Information on the identification and classification of such substances can be found in the Directive 67/548/EEC (classification, packaging and labelling of dangerous substances) as well as in the Regulation (EC) No. 1907/2006 of the European Parliament and of the Council of 18 December 2006 concerning the Registration, Evaluation, Authorization and Restriction of Chemicals (REACH).

6 Safety requirements

6.1 General

Vaulting boxes shall comply with the requirements of EN 913, except insofar as they are modified by this document.

6.2 Stability

When tested according to 8.1.3, the vaulting box shall not rotate about the base, nor shall any of the sections separate in normal use when subjected to a horizontal and vertical force representing the theoretical test force.

6.3 Strength

When tested according to 8.2, the vaulting box or any vertical sided individual section shall show no sign of loose bonds, breaking or cracking.

6.4 Durability of construction

When tested according to 8.3, sections shall not show any loose joints, breakage, cracking or change in diagonal dimensions greater than 3 mm.

7 Usage in combination with other equipment

7.1 General

The multifunctional vaulting box could be used in combination with other multifunctional vaulting boxes or equipment within the scope of the EN 913. The intended combination usage is described in this paragraph. In all combinations, keep aware of the safety risks. Perform a safety risk assessment for each combination made with the multifunctional vaulting box.

7.2 Accessories

When accessories are used in combination with multifunctional vaulting boxes the following requirements shall apply.

- All accessories shall comply with EN 913 both individually and in each combination used.

EN 17461:2023 (E)

- The accessories shall be connected to the multifunctional vaulting box in such a way that it does not disconnect during intended usage.
- The manufacturer shall provide instructions for use and set-up (e.g. maximum number of users).

Examples of attachment points at risk assessment for multifunctional vaulting boxes are given in Annex B. An example for a typical combination is given in Annex C.

8 Test methods

8.1 Determination of stability

8.1.1 Principle

A horizontal force is applied to the top of the equipment and any movement of the top is noted.

8.1.2 Test temperature

Condition the equipment for a minimum of 3 h at a temperature of $(23 \pm 2) ^\circ\text{C}$.

8.1.3 Procedure

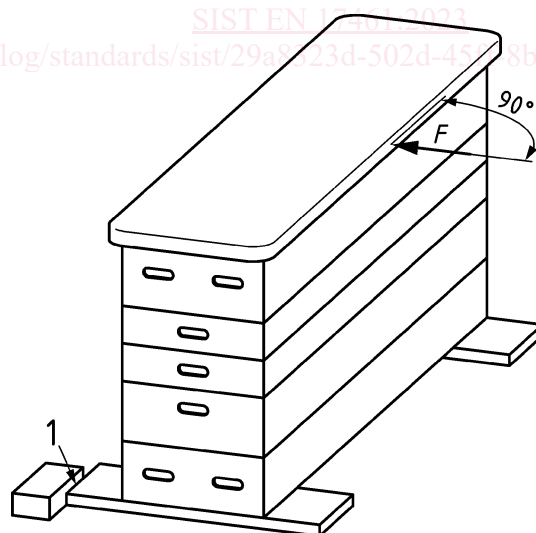
Carry out the test at maximum height according to the manufacturer.

Prevent the vaulting box from sliding, see Figure 3.

For boxes ≤ 500 mm in height, apply a horizontal force calculated from 20 % of the self-weight of the equipment with a minimum of 70 N to the highest point in the centre of the top (see Figure 3).

For boxes > 500 mm in height, apply a horizontal force calculated from 20 % of the self-weight of the equipment with a minimum of 140 N to the highest point in the centre of the top (see Figure 3).

After removing the horizontal force, the vaulting box shall return to the start position of the test.



Key

- 1 point of rotation
F force

Figure 3 — Determination of stability