



SLOVENSKI STANDARD
SIST EN 60350-1:2017/A1:2021

01-september-2021

Gospodinjski električni kuhalni aparati - 1. del: Štedilniki, pečice, parne pečice in žari - Metode za merjenje funkcionalnosti - Dopnilo A1

Household electric cooking appliances - Part 1: Ranges, ovens, steam ovens and grills - Methods for measuring performance

iTeh STANDARD PREVIEW

Amendment 1 - Appareils de cuisson électrodomestiques - Partie 1: Cuisinières, fours, fours à vapeur et grils - Méthodes de mesure de l'aptitude à la fonction

[SIST EN 60350-1:2017/A1:2021](http://standards.iteh.ai/catalog/standards/sist/en-60350-1-2017-a1-2021)

Ta slovenski standard je istoveten z: EN 60350-1:2016/A1:2021

<http://standards.iteh.ai/catalog/standards/sist/en-60350-1-2017-a1-2021>

ICS:

97.040.20	Štedilniki, delovni pulti, pečice in podobni aparati	Cooking ranges, working tables, ovens and similar appliances
-----------	--	--

SIST EN 60350-1:2017/A1:2021

en

iTeh STANDARD PREVIEW
(standards.iteh.ai)

[SIST EN 60350-1:2017/A1:2021](https://standards.iteh.ai/catalog/standards/sist/fb527385-36dc-4290-aeaf-f7266f822286/sist-en-60350-1-2017-a1-2021)

<https://standards.iteh.ai/catalog/standards/sist/fb527385-36dc-4290-aeaf-f7266f822286/sist-en-60350-1-2017-a1-2021>

EUROPEAN STANDARD

EN 60350-1:2016/A1

NORME EUROPÉENNE

EUROPÄISCHE NORM

June 2021

ICS 97.040.20

English Version

Household electric cooking appliances - Part 1: Ranges, ovens, steam ovens and grills - Methods for measuring performance (IEC 60350-1:2016/A1:2021)

Appareils de cuisson électrodomestiques - Partie 1:
Cuisinières, fours, fours à vapeur et grills - Méthodes de
mesure de l'aptitude à la fonction
(IEC 60350-1:2016/A1:2021)

Elektrische Kochgeräte für den Hausgebrauch - Teil 1:
Herde, Backöfen, Dampfgarer und Grills - Verfahren zur
Messung der Gebrauchseigenschaften
(IEC 60350-1:2016/A1:2021)

This amendment A1 modifies the European Standard EN 60350-1:2016; it was approved by CENELEC on 2021-06-21. CENELEC members are bound to comply with the CEN/CENELEC Internal Regulations which stipulate the conditions for giving this amendment the status of a national standard without any alteration.

Up-to-date lists and bibliographical references concerning such national standards may be obtained on application to the CEN-CENELEC Management Centre or to any CENELEC member.

This amendment exists in three official versions (English, French, German). A version in any other language made by translation under the responsibility of a CENELEC member into its own language and notified to the CEN-CENELEC Management Centre has the same status as the official versions.

[SIST EN 60350-1:2017/A1:2021](https://standards.iteh.ai/catalog/standards/sist/fb527385-36dc-4290-aeaf)

<https://standards.iteh.ai/catalog/standards/sist/fb527385-36dc-4290-aeaf>

CENELEC members are the national electrotechnical committees of Austria, Belgium, Bulgaria, Croatia, Cyprus, the Czech Republic, Denmark, Estonia, Finland, France, Germany, Greece, Hungary, Iceland, Ireland, Italy, Latvia, Lithuania, Luxembourg, Malta, the Netherlands, Norway, Poland, Portugal, Republic of North Macedonia, Romania, Serbia, Slovakia, Slovenia, Spain, Sweden, Switzerland, Turkey and the United Kingdom.



European Committee for Electrotechnical Standardization
Comité Européen de Normalisation Electrotechnique
Europäisches Komitee für Elektrotechnische Normung

CEN-CENELEC Management Centre: Rue de la Science 23, B-1040 Brussels

EN 60350-1:2016/A1:2021 (E)**European foreword**

The text of document 59K/328/FDIS, future IEC 60350-1/A1, prepared by SC 59K "Ovens and microwave ovens, cooking ranges and similar appliances" of IEC/TC 59 "Performance of household and similar electrical appliances" was submitted to the IEC-CENELEC parallel vote and approved by CENELEC as EN 60350-1:2016/A1:2021.

The following dates are fixed:

- latest date by which the document has to be implemented at national level by publication of an identical national standard or by endorsement (dop) 2022-03-21
- latest date by which the national standards conflicting with the document have to be withdrawn (dow) 2024-06-21

Attention is drawn to the possibility that some of the elements of this document may be the subject of patent rights. CENELEC shall not be held responsible for identifying any or all such patent rights.

This document has been prepared under a mandate given to CENELEC by the European Commission and the European Free Trade Association, and supports essential requirements of EU Directive(s).

For the relationship with EU Directive(s), see informative Annex ZZ, included in EN 60350-1:2016.

iTeh STANDARD PREVIEW

(standard for iTeH)

Endorsement notice

SIST EN 60350-1:2017/A1:2021

The text of the International Standard IEC 60350-1:2016/A1:2021 was approved by CENELEC as a European Standard without any modification. sist-en-60350-1-2017-a1-2021



IEC 60350-1

Edition 2.0 2021-05

INTERNATIONAL STANDARD

NORME INTERNATIONALE

AMENDMENT 1
AMENDEMENT 1

Household electric cooking appliances –
Part 1: Ranges, ovens, steam ovens and grills – Methods for measuring
performance

Appareils de cuisson électrodomestiques –
Partie 1: Cuisinières, fours, fours à vapeur et grils – Méthodes de mesure de
l'aptitude à la fonction

INTERNATIONAL
ELECTROTECHNICAL
COMMISSION

COMMISSION
ELECTROTECHNIQUE
INTERNATIONALE

ICS 97.040.20

ISBN 978-2-8322-9786-5

Warning! Make sure that you obtained this publication from an authorized distributor.
Attention! Veuillez vous assurer que vous avez obtenu cette publication via un distributeur agréé.

INTERNATIONAL ELECTROTECHNICAL COMMISSION

HOUSEHOLD ELECTRIC COOKING APPLIANCES –

**Part 1: Ranges, ovens, steam ovens and grills –
Methods for measuring performance****AMENDMENT 1****FOREWORD**

- 1) The International Electrotechnical Commission (IEC) is a worldwide organization for standardization comprising all national electrotechnical committees (IEC National Committees). The object of IEC is to promote international co-operation on all questions concerning standardization in the electrical and electronic fields. To this end and in addition to other activities, IEC publishes International Standards, Technical Specifications, Technical Reports, Publicly Available Specifications (PAS) and Guides (hereafter referred to as "IEC Publication(s)"). Their preparation is entrusted to technical committees; any IEC National Committee interested in the subject dealt with may participate in this preparatory work. International, governmental and non-governmental organizations liaising with the IEC also participate in this preparation. IEC collaborates closely with the International Organization for Standardization (ISO) in accordance with conditions determined by agreement between the two organizations.
- 2) The formal decisions or agreements of IEC on technical matters express, as nearly as possible, an international consensus of opinion on the relevant subjects since each technical committee has representation from all interested IEC National Committees.
- 3) IEC Publications have the form of recommendations for international use and are accepted by IEC National Committees in that sense. While all reasonable efforts are made to ensure that the technical content of IEC Publications is accurate, IEC cannot be held responsible for the way in which they are used or for any misinterpretation by any end user.
- 4) In order to promote international uniformity, IEC National Committees undertake to apply IEC Publications transparently to the maximum extent possible in their national and regional publications. Any divergence between any IEC Publication and the corresponding national or regional publication shall be clearly indicated in the latter.
- 5) IEC itself does not provide any attestation of conformity. Independent certification bodies provide conformity assessment services and, in some areas, access to IEC marks of conformity. IEC is not responsible for any services carried out by independent certification bodies.
- 6) All users should ensure that they have the latest edition of this publication.
- 7) No liability shall attach to IEC or its directors, employees, servants or agents including individual experts and members of its technical committees and IEC National Committees for any personal injury, property damage or other damage of any nature whatsoever, whether direct or indirect, or for costs (including legal fees) and expenses arising out of the publication, use of, or reliance upon, this IEC Publication or any other IEC Publications.
- 8) Attention is drawn to the Normative references cited in this publication. Use of the referenced publications is indispensable for the correct application of this publication.
- 9) Attention is drawn to the possibility that some of the elements of this document may be the subject of patent rights. IEC shall not be held responsible for identifying any or all such patent rights.

Amendment 1 to IEC 60350-1:2016 has been prepared by subcommittee 59K: Performance of household and similar electrical cooking appliances, of IEC technical committee 59: Performance of household and similar electrical appliances.

The text of this Amendment is based on the following documents:

FDIS	Report on voting
59K/328/FDIS	59K/331/RVD

Full information on the voting for its approval can be found in the report on voting indicated in the above table.

The language used for the development of this Amendment is English.

IEC 60350-1:2016/AMD1:2021
© IEC 2021

– 3 –

This document was drafted in accordance with ISO/IEC Directives, Part 2, and developed in accordance with ISO/IEC Directives, Part 1 and ISO/IEC Directives, IEC Supplement, available at www.iec.ch/members_experts/refdocs. The main document types developed by IEC are described in greater detail at www.iec.ch/standardsdev/publications/.

The committee has decided that the contents of this document will remain unchanged until the stability date indicated on the IEC website under webstore.iec.ch in the data related to the specific document. At this date, the document will be

- reconfirmed,
- withdrawn,
- replaced by a revised edition, or
- amended.

iTeh STANDARD PREVIEW (standards.iteh.ai)

[SIST EN 60350-1:2017/A1:2021](https://standards.iteh.ai/catalog/standards/sist/fb527385-36dc-4290-aeaf-f7266f822286/sist-en-60350-1-2017-a1-2021)

<https://standards.iteh.ai/catalog/standards/sist/fb527385-36dc-4290-aeaf-f7266f822286/sist-en-60350-1-2017-a1-2021>

1 Scope

Add the following note after the first paragraph:

NOTE 3 This document is also applicable to portable appliances with similar functionalities that were previously covered by the withdrawn IEC 61817.

In Note 2, delete the 2nd bullet regarding the exclusion of portable appliances.

Replace 6.5 by the following new content:

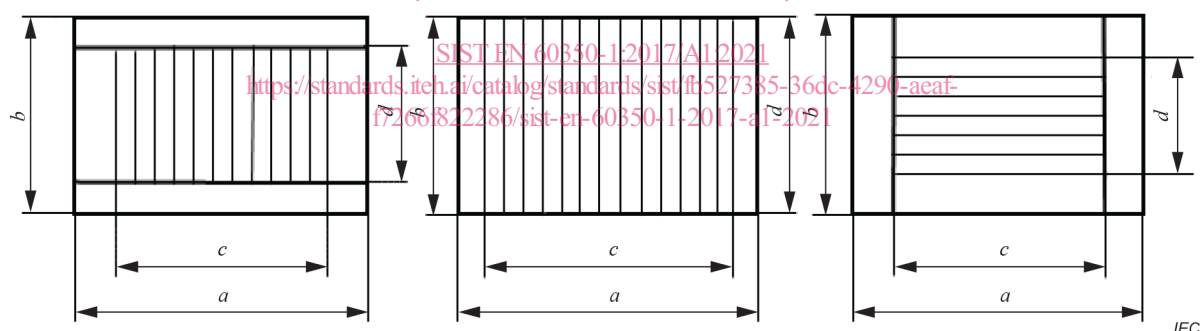
6.5 Dimensions of a grill grid

6.5.1 Entire area

The entire area of the grill grid is determined by measuring the maximum width and the maximum depth of the outer rods. This entire area of the grill grid is calculated and stated in square centimetres, rounded to 10 cm².

6.5.2 Usable area

The usable width and usable depth of the grill grid are measured, by considering only the inner grid, which is suitable for placing food. The usable area of the grill grid is calculated and stated in square centimetres, rounded to 10 cm².



Key:

- a* is the maximum width of the grill grid
- b* is the maximum depth of the grill grid
- c* is the usable width of the grill grid
- d* is the usable depth of the grill grid

Figure 13 – Examples for determining the entire area and usable area of a grill grid

Table 2 – Ingredients

In the row dealing with eggs, replace "Clause C.1" with "Clause C.2".

Replace Clause 9 with the following new content:

9 Effective grilling area

9.1 Purpose

The purpose of this test is to determine the effective grilling area (E). The effective grilling area is the part of the usable area of the grill grid (see 6.5) where white bread reaches a required browning intensity during grilling.

9.2 Ingredients

The measurement is done with factory-made white bread made of wheat (e.g. Golden Toast⁶), which is commonly available and suitable for toasting. The slices of bread shall have an edge length of at least 80 mm and a thickness of 12 mm \pm 1 mm. It shall be fine-pored.

If more than one loaf of bread is necessary, it shall be from the same batch. Therefore, the bread shall be bought from the same supplier, at the same time and stored under same conditions until needed for the measurements. It shall be used before the expiry date.

9.3 Preparation

Discard the first two and the last two slices of one package because these slices often have a different texture. Remove the crust and cut the slices of bread to an edge length of 70 mm \pm 1 mm.

Determine the usable area of the grill grid (A_U) and state it in cm². Cover the usable area of the grill grid completely (without gaps in between) with bread. For this, it can be necessary to trim some slices. The minimum width and length of each slice shall not be less than 35 mm.

9.4 Procedure

Follow the operating instructions with respect to the heating function, temperature, shelf and preheating. If preheating is recommended, the grill grid is placed in the oven when the end of the preheating phase is indicated, for example by visual or acoustic signal, or after a recommended pre-heating time.

If no instructions are given, the grill grid is placed in the highest possible level in the not-preheated oven until it reaches the stop position of the rack, the door is closed, and the bread is grilled with the highest possible setting.

During the grilling process, the door may be opened once for a maximum of 3 s to check the browning, but without moving the grid.

Remove the grill grid when the bread is browned and burnt spots start to appear (\geq shade number 15).

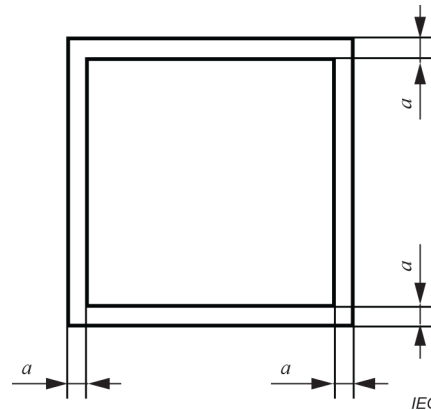
⁶ Golden Toast is the trade name of a product supplied by Lieken Brot und Backwaren GmbH. Golden Toast might be commercially available through other suppliers after the date of publication of this standard. This information is given for the convenience of the users of this document and does not constitute an endorsement by IEC of the product named. Equivalent products may be used if they can be shown to lead to the same results.

9.5 Assessment

9.5.1 General

Assess the browning of the bread within 1 h. Through the grilling process, the slices of bread might bulge, which could increase the browning of the edges. Therefore, the top area of a slice of toast is reduced alongside its outline as shown in Figure 14 by 2 mm to 3 mm from each side.

The assessable area (A_a) is the top area after grilling considering the shrinkage of toast and cutting the slices; see Figure 14.



iTeh STANDARD PREVIEW
(standards.iteh.ai)

Key:

a is the rejected part of each edge length; $2 \text{ mm} \leq a \leq 3 \text{ mm}$

Figure 14 – Determining the assessable area of a slice of toast – Example

<https://standards.iteh.ai/catalog/standards/sist/fb527385-36dc-4290-aeaf-f7266f822286/sist-en-60350-1-2017-a1-2021>

9.5.2 Criteria of validity

For a valid result, sufficient browning is required. This is ensured if the percentage of burned parts of the assessable area in total is $\geq 3 \%$ to $\leq 15 \%$. Burned areas ($A_{\geq 15}$) are defined by showing a shade number ≥ 15 in accordance with Annex B. To determine the shade numbers, a digital evaluation system in accordance with 7.5.3.6.3 should be used.

If the result is invalid, repeat the test with adapted time.

9.5.3 Criteria of assessment

The relative effective grilling area E_r is calculated with the following formula:

$$E_r = \frac{A_{8-14}}{A_a - A_{\geq 15}} \times 100 \quad (17)$$

where

E_r is the relative effective grilling area, in %;

A_{8-14} is the assessable properly browned area with a shade number within the range of ≥ 8 and ≤ 14 , in cm^2 ;

$A_{\geq 15}$ is the assessable burnt area with a shade number ≥ 15 , in cm^2 ;

A_a is the assessable area, in cm^2 .