
**Needle-based injection systems for
medical use — Requirements and test
methods —**

Part 2:
Double-ended pen needles

*Systèmes d'injection à aiguille pour usage médical — Exigences et
méthodes d'essai —
Partie 2: Aiguilles à deux extrémités pour stylos-injecteurs*

[ISO 11608-2:2022](https://standards.iteh.ai/catalog/standards/sist/ed1f2287-22e2-484f-a714-daaee0c03abf/iso-11608-2-2022)

<https://standards.iteh.ai/catalog/standards/sist/ed1f2287-22e2-484f-a714-daaee0c03abf/iso-11608-2-2022>



iTeh STANDARD PREVIEW
(standards.iteh.ai)

ISO 11608-2:2022

<https://standards.iteh.ai/catalog/standards/sist/ed1f2287-22e2-484f-a714-daaee0c03abf/iso-11608-2-2022>



COPYRIGHT PROTECTED DOCUMENT

© ISO 2022

All rights reserved. Unless otherwise specified, or required in the context of its implementation, no part of this publication may be reproduced or utilized otherwise in any form or by any means, electronic or mechanical, including photocopying, or posting on the internet or an intranet, without prior written permission. Permission can be requested from either ISO at the address below or ISO's member body in the country of the requester.

ISO copyright office
CP 401 • Ch. de Blandonnet 8
CH-1214 Vernier, Geneva
Phone: +41 22 749 01 11
Email: copyright@iso.org
Website: www.iso.org

Published in Switzerland

Contents

	Page
Foreword	v
Introduction	vii
1 Scope	1
2 Normative references	1
3 Terms and definitions	1
4 Symbols	3
5 Requirements	3
5.1 Needle tube requirements.....	3
5.1.1 General.....	3
5.1.2 Needle tubing materials.....	4
5.1.3 Tubing characteristics.....	4
5.2 Double-ended pen needle requirements.....	4
5.2.1 General.....	4
5.2.2 Biocompatibility.....	4
5.2.3 Dimensions for double-ended pen needle assembly.....	4
5.2.4 Needle points.....	5
5.2.5 Freedom from defects.....	5
5.2.6 Flow rate through the needle.....	5
5.2.7 Bond between hub and needle tube.....	6
5.2.8 Dislocation of measuring point at patient end.....	7
5.2.9 Ease of assembly.....	7
5.2.10 Sterility.....	7
5.2.11 Pyrogenicity.....	8
5.3 Functional compatibility with NISs.....	8
5.3.1 General.....	8
5.3.2 Dose delivery.....	8
5.3.3 Needle removal torque.....	9
6 Sampling	10
7 Preconditioning of needles	13
7.1 Preconditioning in a dry-heat, cold storage and damp heat atmosphere.....	13
7.2 Preconditioning in a cyclical atmosphere.....	13
8 Standard atmosphere and test apparatus	13
8.1 Standard test atmosphere.....	13
8.2 Test gauge.....	13
8.3 Test apparatus.....	14
9 Test methods	14
9.1 Bond between hub and needle tube.....	14
9.2 Determination of dislocation of measuring point at patient end.....	14
9.3 Ease of assembly.....	15
9.4 Functional compatibility with NISs.....	15
9.4.1 Sample quantity requirements.....	15
9.4.2 Test procedures for testing dose delivery.....	16
9.4.3 Procedure for testing needle hub removal torque.....	17
10 Packaging	17
11 Information supplied with the needle(s)	17
11.1 General.....	17
11.2 Marking.....	18
11.2.1 Marking on the unit packaging.....	18
11.2.2 Marking on the user packaging.....	19
11.3 Instructions for use.....	20

Annex A (normative) Determination of flow rate through needle	21
Annex B (informative) Needle bonding strength test method	24
Annex C (informative) Additional background for requirements	25
Bibliography	30

iTeh STANDARD PREVIEW
(standards.iteh.ai)

[ISO 11608-2:2022](https://standards.iteh.ai/catalog/standards/sist/ed1f2287-22e2-484f-a714-daaee0c03abf/iso-11608-2-2022)

<https://standards.iteh.ai/catalog/standards/sist/ed1f2287-22e2-484f-a714-daaee0c03abf/iso-11608-2-2022>

Foreword

ISO (the International Organization for Standardization) is a worldwide federation of national standards bodies (ISO member bodies). The work of preparing International Standards is normally carried out through ISO technical committees. Each member body interested in a subject for which a technical committee has been established has the right to be represented on that committee. International organizations, governmental and non-governmental, in liaison with ISO, also take part in the work. ISO collaborates closely with the International Electrotechnical Commission (IEC) on all matters of electrotechnical standardization.

The procedures used to develop this document and those intended for its further maintenance are described in the ISO/IEC Directives, Part 1. In particular, the different approval criteria needed for the different types of ISO documents should be noted. This document was drafted in accordance with the editorial rules of the ISO/IEC Directives, Part 2 (see www.iso.org/directives).

Attention is drawn to the possibility that some of the elements of this document may be the subject of patent rights. ISO shall not be held responsible for identifying any or all such patent rights. Details of any patent rights identified during the development of the document will be in the Introduction and/or on the ISO list of patent declarations received (see www.iso.org/patents).

Any trade name used in this document is information given for the convenience of users and does not constitute an endorsement.

For an explanation of the voluntary nature of standards, the meaning of ISO specific terms and expressions related to conformity assessment, as well as information about ISO's adherence to the World Trade Organization (WTO) principles in the Technical Barriers to Trade (TBT), see www.iso.org/iso/foreword.html.

This document was prepared by Technical Committee ISO/TC 84, *Devices for administration of medicinal products and catheters*, in collaboration with the European Committee for Standardization (CEN) Technical Committee CEN/TC 205, *Non-active medical devices*, in accordance with the Agreement on technical cooperation between ISO and CEN (Vienna Agreement).

This third edition cancels and replaces the second edition (ISO 11608-2:2012), which has been technically revised.

The main changes are as follows:

- terminology for 'needles' was updated throughout the document and in the title of the document to 'double-ended pen needles' in order to more precisely describe the subject of the document;
- where possible, references to other parts of ISO 11608 (all parts) have been made instead of repeating the content in this document (for example, conditions for preconditioning). Additionally, changes have been made to align with ISO 11608-1 (e.g. sample sizes and test case matrix);
- content within this document has been reorganized to create a separate clause for symbols and abbreviated terms, to delineate needle tube requirements, double-ended pen needle requirements and requirements for functional compatibility with needle-based injection systems (NISs), to group the test method sections into defined sections;
- new figures have been added to more precisely illustrate the dimensions of the double-ended pen needle and test gauge referred to in this document;
- requirements for biocompatibility and pyrogenicity introduced and acceptance criteria for flow rate through the needle have been added;
- testing requirements necessary to establish functional compatibility between a specific NIS and a specific double-ended pen needle were revised to include dose delivery and needle hub removal force testing;

ISO 11608-2:2022(E)

- new annexes have been introduced which provide an example method for testing needle bond force ([Annex B](#)) and additional background for the requirements in this document ([Annex C](#)).

A list of all parts in the ISO 11608 series can be found on the ISO website.

Any feedback or questions on this document should be directed to the user's national standards body. A complete listing of these bodies can be found at www.iso.org/members.html.

iTeh STANDARD PREVIEW
(standards.iteh.ai)

ISO 11608-2:2022

<https://standards.iteh.ai/catalog/standards/sist/ed1f2287-22e2-484f-a714-daaee0c03abf/iso-11608-2-2022>

Introduction

This document covers sterile double-ended needles intended for single use in conjunction with needle-based injection systems (e.g. pen injectors). These needles are often referred to as pen needles.

The devices described in this document are designed to be used with the devices described in ISO 11608-1 and ISO 11608-3. This document is intended to be used in conjunction with ISO 11608-1.

The first edition of this document, i.e. ISO 11608-2:2000, introduced the concept of interchangeability and the labelling designations “Type A” (i.e., interchangeable) and “non-Type A” for needles and container closure systems. Since its promulgation, experience has shown that the complexity of these systems makes it very difficult to ensure functional compatibility as defined in the different clauses of this document, particularly when products are made by different manufacturers and the design is not verified as a system. Based on this experience, it is believed that the Type A designation does not represent adequate guidance to the user in making decisions on the compatibility of needles and container closures with specific needle-based injection systems (NIS). As such, the labelling designation “Type A” has been removed.

The second edition of this document, i.e. ISO 11608-2:2012, addressed functional compatibility of the system through testing in accordance with [Clause 11](#) (functional compatibility testing is in [Clause 9](#) in this document). Flow rate was introduced as a new parameter. The sampling plans for inspection selected for this document and outlined in ISO 11608-1 are intended to verify the design, at a high confidence level. The sampling plan does not replace the more general manufacturing quality systems, including lot release, which appear in quality management systems, e.g. ISO 9001 or ISO 13485.

This document refers to ISO 11608-1 for dose accuracy requirements for functional compatibility and includes requirements for double-ended pen needle device adapted from ISO 7864:2016 and new requirements for cleanliness (as part of the freedom from defects requirement), biocompatibility and pyrogenicity testing. After the experience gained through testing for functional compatibility with the second edition of this document, the testing approach was reassessed to ensure that the appropriate tests were included. Following a rigorous review of anonymized dose accuracy data generated by manufacturers over several years, assessing the relationship of dose accuracy and the flow rate through the pen needle, it was determined that there is no relationship between the pen needle flow rate and dose accuracy. This further supports the understanding that the primary contributors to dose accuracy in the NIS system are the NIS and the cartridge.

The needle provides the fluid path from the cartridge to the subcutaneous tissue and its influence on dose accuracy is mainly affected by the correct position of the needle bevel inside the cartridge, a possible leakage and indirectly over the injection force and injection time by the flow rate. The inner diameter has an influence on the time that is needed to deliver the entire volume but not directly to the precision of the dosage. Additionally, a prescribed holding time may be specified in the NIS IFU, which provides for completion of dose delivery during expansion and or relaxation of soft parts within the NIS and cartridge. Therefore, the testing requirements necessary to establish functional compatibility between a specific NIS and a specific pen needle were revised in this edition to include dose delivery and needle hub removal force testing. Dose delivery may be demonstrated either through dose accuracy testing or through confirmation of dose delivery, which includes demonstrating that the needle bevel is positioned inside the cartridge, visual verification that the dose is expelled and inspection for absence of leakage at the base of the non-patient end of the cannula.

Needle-based injection systems for medical use — Requirements and test methods —

Part 2: Double-ended pen needles

1 Scope

This document specifies requirements and test methods for single-use, double-ended, sterile needles intended to be used with some needle-based injection systems (NISs) that use a non-integrated double-ended needle according to ISO 11608-1.

This document is not applicable to the following:

- needles for dental use;
- pre-attached syringe needles;
- hypodermic needles;
- needles intended for different routes of administration (e.g. intravenous, intrathecal, intraocular);
- materials that form the medicinal product contact surfaces of the primary container closure.

However, while this document is not intended to directly apply to these needle products, it does contain requirements and tests methods that can be used to help design and evaluate them.

NOTE Needles provided by the manufacturer integrated into the fluid path or container are covered in ISO 11608-3, and hypodermic needles provided separately are covered in ISO 7864.

2 Normative references

The following documents are referred to in the text in such a way that some or all of their content constitutes requirements of this document. For dated references, only the edition cited applies. For undated references, the latest edition of the referenced document (including any amendments) applies.

ISO 9626:2016, *Stainless steel needle tubing for the manufacture of medical devices — Requirements and test methods*

ISO 10993-1, *Biological evaluation of medical devices — Part 1: Evaluation and testing within a risk management process*

ISO 10993-11, *Biological evaluation of medical devices — Part 11: Tests for systemic toxicity*

ISO 11608-1:2022, *Needle-based injection systems for medical use — Requirements and test methods — Part 1: Needle-based injection systems*

ISO 11608-3:2022, *Needle-based injection systems for medical use — Requirements and test methods — Part 3: Containers and integrated fluid paths*

3 Terms and definitions

For the purposes of this document, the terms and definitions given in ISO 11608-1 and the following apply.

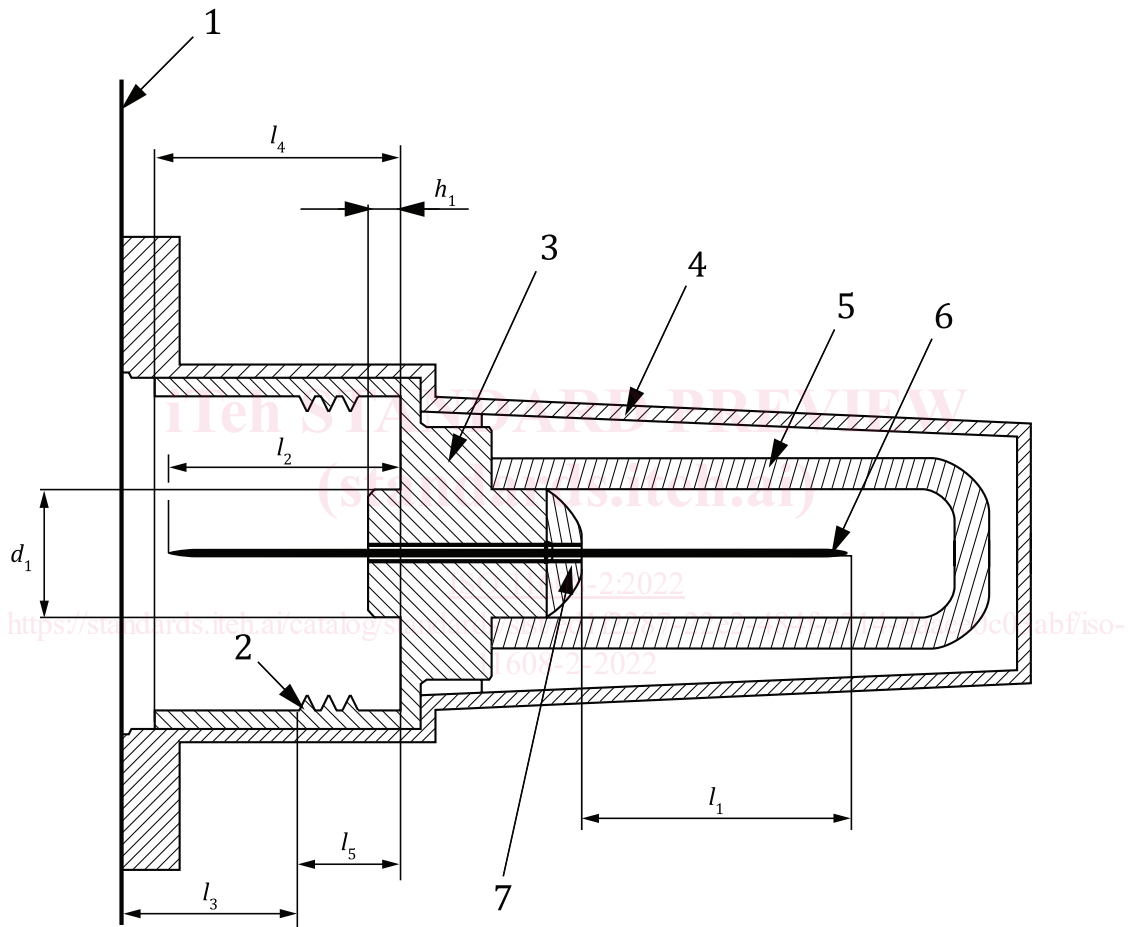
ISO and IEC maintain terminology databases for use in standardization at the following addresses:

- ISO Online browsing platform: available at <https://www.iso.org/obp>
- IEC Electropedia: available at <https://www.electropedia.org/>

3.1 double-ended pen needle

single-use, double-ended, sterile needles with attachment system specific for some NISs which use a non-integrated needle

Note 1 to entry: See [Figure 1](#).



Key

- | | |
|---------------------------------------|--|
| 1 seal (3.2) | l_1 patient-end needle length |
| 2 means of needle assembly attachment | l_2 cartridge-end needle length |
| 3 needle hub | l_3 distance from the surface of the seal to the underside of the thread |
| 4 needle container | l_4 depth of the needle hub |
| 5 needle shield (if included) | l_5 distance from the underside of the thread to the surface of the hub base |
| 6 needle tube | h_1 needle hub union length |
| 7 jointing medium (if used) | d_1 diameter of needle hub union |

Figure 1 — Example presentation of double-ended pen needle assembly

3.2 seal

removable barrier which maintains the sterility of the needle inside the needle container

3.3

unit packaging

needle container, together with the *seal* (3.2) forming the packaging of the device, that maintains the sterility of the needle

3.4

user packaging

device or collection of devices in their respective *unit packaging* (3.3) provided to the user

4 Symbols

$\alpha_{1,\min}$	Angular distance
λ	Average wavelength of the visual light
C	Calibration constant (used for calculating flow rate using the Extended Hagen–Poiseuille equation)
d_{\max}	Maximum allowable dislocation
D_{pupil}	Diameter of the pupil of the eye, where the light is deflected
D_{out}	Nominal outside diameter of the needle tube, expressed in millimetres
$D_{\text{out,hub}}$	Outer diameter of the needle tube at the hub (for tapered needles)
$D_{\text{out,tip}}$	Outer diameter of needle tube at the first full diameter from the tip (for tapered needles)
Q	Flow rate
ρ	Density of the fluid
Q_{\min}	Minimum flow rate
U	Resolution of the eye
ΔP	Pressure difference
r	Inner radius (equal to $\frac{1}{2}$ of the inner diameter)
η	Viscosity of the test fluid
V_{high}	Dose pre-set as ≥ 90 % of the NIS maximum dosage (expressed as a volume, in millilitres)
V_{low}	Dose pre-set as ≤ 10 % of the NIS maximum dosage (expressed as a volume, in millilitres)

NOTE V_{low} can be set as equal to the minimum dosage of the NIS.

5 Requirements

5.1 Needle tube requirements

5.1.1 General

The following requirements relate to the needle tube component included in the double-ended pen needle device.

5.1.2 Needle tubing materials

The needle tubing shall be made of tubing materials specified in ISO 9626:2016, Clause 4.

5.1.3 Tubing characteristics

The tubing characteristics used in needles shall meet the requirements of ISO 9626:2016, Clause 5.

5.2 Double-ended pen needle requirements

5.2.1 General

The following requirements relate to the double-ended pen needle device. Testing shall be performed using samples that have been exposed to all manufacturing processes, including sterilization, if applicable.

5.2.2 Biocompatibility

Biocompatibility of the pen needle shall be established in accordance with ISO 10993-1 (see also ISO 11608-1:2022, Annex C).

5.2.3 Dimensions for double-ended pen needle assembly

Dimensions of the double-ended pen needle assembly shall be in accordance with [Table 1](#) (the dimensions are shown in [Figure 1](#)).

Table 1 — Dimensional requirements of double-ended pen needle

Measurements	Dimensions mm
l_1	specified length $\pm 1,25$
l_2	5,7 to 7,0
l_3	<6,0
l_4	<7,5
l_5	<3,7
h_1	0 to 1,0
d_1	0 to 3,0

Needle manufacturers shall consider the risks of not delivering to the target tissue (e.g. specified length appropriate for the target tissue) and of the cartridge end of the double-ended pen needle assembly interfering with delivery of the medicinal product (e.g. bevel not clearing septum, too much dead space in cartridge) when setting the specifications in accordance with [Table 1](#).

The dimensions of the means of attachment part of the double-ended pen needle (see [Figure 1](#), dimension 2) shall be such that the needle fits and functions with the NIS for which it is intended. Pen needles shall fit the test gauge specified in [8.2](#).

Pen needles can be deliberately designed not to fit the test gauge described in [8.2](#) and not to meet the dimensional requirements given in [Table 1](#). In such cases, a dedicated test gauge for the specific design shall be created in order to perform the tests in [Clause 9](#). In addition, the remaining requirements, other than those in [5.2.3](#), shall apply. In cases where the dimensional requirements of [5.2.3](#) are not met, the needle labelling shall list the NIS(s) and accessories for which it has been designed and tested.

5.2.4 Needle points

When visually inspected by normal or corrected to normal vision under magnification of 2,5x and at environmental lighting conditions of ≥ 750 lx needle points shall appear sharp and free from feather edges, burrs and hooks.

NOTE The resolution of the human eye is approximately 5 μm . Considering a safety factor of 10, burrs of around 0,05 mm can be detected using the inspection conditions above. Where the criteria are lower than 0,05 mm, alternate inspection conditions can be used (see [Annex C](#)).

The needle point at the cartridge end shall be designed so as to minimize coring and fragmentation when penetrating the cartridge septum. Test according to the procedure specified in ISO 11608-3:2022, 5.2.

5.2.5 Freedom from defects

When inspected by normal or corrected-to-normal vision without magnification and at environmental lighting conditions of ≥ 750 lx and from a reading distance of between 30 cm and 70 cm, the double-ended pen needle shall meet the following requirements:

- a) the outer surface of the tubing shall be smooth and free from defects;
- b) lubricant shall not be visible as droplets of fluid on the outside surface of the needle tube;
- c) the surface of the needle tube (patient end and cartridge end) shall appear free from particles and extraneous matter.

5.2.6 Flow rate through the needle

5.2.6.1 Non-tapered needle flow rate

For non-tapered needles, the flow rate through the needle shall demonstrate patency of the lumen, determined by either method a) or method b):

- a) Measure the flow rate of water through the needle in accordance with [Annex A](#) to determine the minimum flow rate through the needle, in ml/min (expressed to a tenth of a ml/min). The measured flow rate shall be made available on request.

The flow rate measured for each gauge size shall not be less than 80 % of an unprocessed needle tube of equivalent outer diameter and length having a minimum inner diameter in accordance with ISO 9626 when tested under the same pressure, or shall not be less than 80 % of the minimum flow rate as calculated based on the Extended Hagen-Poiseuille equation, presented in [C.3.5](#), which has the following dependency: $Q = Q(r, l, \eta, \rho, \Delta p, C)$

When acceptance criteria are based upon the Extended Hagen-Poiseuille equation, the validity of the equation shall be ensured when calculating the theoretical flow rate. See [C.3.5](#) for details about the validity of the equation.

- b) Demonstrate that a stainless steel stylet of the appropriate diameter selected from the diameters given in [Table 2](#) shall pass through the needle.

It is recommended to use method a) for needles with designated metric sizes below 0,30 mm and hence no stylets are listed in [Table 2](#) for designated metric sizes below 0,30 mm.