

---

---

**Geotechnical investigation and  
testing — Sampling methods and  
groundwater measurements —**

**Part 1:  
Technical principles for the sampling  
of soil, rock and groundwater**

iTeh STANDARD PREVIEW  
(standards.iteh.ai)

*Reconnaissance et essais géotechniques — Méthodes de prélèvement  
et mesurages piézométriques —*

*Partie 1: Principes techniques pour le prélèvement des sols, des roches  
et des eaux souterraines*

<https://standards.iteh.ai/catalog/standards/sist/d7274037-19bf-4c62-909a-6ae062a7d1fb/iso-22475-1-2021>



**iTeh STANDARD PREVIEW**  
**(standards.iteh.ai)**

ISO 22475-1:2021

<https://standards.iteh.ai/catalog/standards/sist/d7274037-f9bf-4c62-909a-6ae062a7d1fb/iso-22475-1-2021>



**COPYRIGHT PROTECTED DOCUMENT**

© ISO 2021

All rights reserved. Unless otherwise specified, or required in the context of its implementation, no part of this publication may be reproduced or utilized otherwise in any form or by any means, electronic or mechanical, including photocopying, or posting on the internet or an intranet, without prior written permission. Permission can be requested from either ISO at the address below or ISO's member body in the country of the requester.

ISO copyright office  
CP 401 • Ch. de Blandonnet 8  
CH-1214 Vernier, Geneva  
Phone: +41 22 749 01 11  
Email: [copyright@iso.org](mailto:copyright@iso.org)  
Website: [www.iso.org](http://www.iso.org)

Published in Switzerland

# Contents

	Page
<b>Foreword</b> .....	<b>v</b>
<b>1 Scope</b> .....	<b>1</b>
<b>2 Normative references</b> .....	<b>1</b>
<b>3 Terms, definitions and abbreviated terms</b> .....	<b>2</b>
3.1 Ground investigation methods.....	2
3.2 Drilling rigs and equipment.....	3
3.3 Sampling.....	4
3.4 Rock and soil properties.....	9
3.5 Abbreviated terms.....	9
<b>4 Equipment</b> .....	<b>10</b>
4.1 Requirements for the drilling rigs and equipment.....	10
4.2 Drilling parameters.....	10
4.3 Safety and special requirements.....	10
<b>5 Procedures</b> .....	<b>11</b>
5.1 General requirements for sampling.....	11
5.2 Selection of techniques and methods.....	11
5.3 Sampling categories for soil.....	11
5.3.1 General.....	11
5.3.2 Sample disturbance.....	12
5.3.3 Category A sampling.....	12
5.3.4 Category B sampling.....	13
5.3.5 Category C sampling.....	13
5.3.6 Category D sampling.....	13
5.3.7 Category E sampling.....	13
5.4 Sampling categories for rock.....	13
5.4.1 General.....	13
5.4.2 Sampling disturbance.....	14
5.4.3 Category A sampling.....	14
5.4.4 Category B sampling.....	14
5.4.5 Category C sampling.....	15
5.4.6 Category D sampling.....	15
5.4.7 Category E sampling.....	15
5.5 Sampling in trial pits, other excavations, headings and shafts.....	15
5.6 Requirements for ground investigation sites and points.....	15
5.7 Preliminary information needed before starting sampling.....	16
5.8 Backfilling and site reinstatement.....	16
<b>6 Soil sampling methods</b> .....	<b>17</b>
6.1 General.....	17
6.2 Sampling by drilling (continuous sampling).....	17
6.2.1 General.....	17
6.2.2 Sampling by rotary drilling.....	26
6.2.3 Sampling by use of hammer driving methods.....	28
6.2.4 Sampling by cable percussion drilling.....	28
6.2.5 Sampling by hollow stem auger drilling.....	28
6.2.6 Sampling by grab drilling.....	28
6.2.7 Soil sampling by small diameter drilling.....	29
6.2.8 Sampling by resonance drilling.....	29
6.3 Sampling using samplers.....	29
6.3.1 General.....	29
6.3.2 Sampling using the open-tube sampler and the piston sampler.....	33
6.3.3 Sampling using the standard penetration test sampler.....	38
6.3.4 Sampling by using the window sampler.....	38

6.3.5	Sampling using the windowless sampler .....	38
6.4	Block sampling .....	38
6.4.1	Sampling from trial pits .....	38
6.4.2	Sampling using large samplers .....	39
<b>7</b>	<b>Rock sampling methods .....</b>	<b>39</b>
7.1	General .....	39
7.2	Sampling by drilling .....	43
7.2.1	General .....	43
7.2.2	Sampling by rotary dry core drilling .....	43
7.2.3	Sampling by rotary core drilling .....	43
7.2.4	Sampling by wireline core drilling .....	44
7.2.5	Sampling of cuttings by rotary open hole drilling .....	44
7.3	Block sampling .....	44
<b>8</b>	<b>Groundwater sampling methods for geotechnical purposes .....</b>	<b>44</b>
8.1	General .....	44
8.2	Equipment .....	45
8.3	Techniques of groundwater sampling .....	45
8.3.1	General .....	45
8.3.2	Extraction by pumping .....	45
8.3.3	Extraction by water sampler .....	46
8.3.4	Extraction by vacuum bottles .....	46
<b>9</b>	<b>Preservation, labelling, transport and storage of samples .....</b>	<b>46</b>
9.1	General .....	46
9.2	Preservation of samples .....	46
9.3	Labelling of samples .....	47
9.4	Transport and storage of samples .....	48
9.4.1	General considerations .....	48
9.4.2	Sampling category A .....	48
9.4.3	Sampling category B to E .....	49
9.4.4	Transport of water samples .....	49
<b>10</b>	<b>Report .....</b>	<b>50</b>
10.1	Field report .....	50
10.1.1	General .....	50
10.1.2	Summary log .....	50
10.1.3	Drilling record .....	51
10.1.4	Sampling record .....	51
10.1.5	Record of identification and description of soil and rock .....	52
10.1.6	Backfilling record .....	53
10.1.7	Record of groundwater measurements during drilling and sampling .....	53
10.1.8	Daily record .....	53
10.2	Report of the results .....	53
<b>Annex A (informative) Example of a form for the preliminary information on the intended sampling .....</b>		<b>55</b>
<b>Annex B (informative) Field reports .....</b>		<b>57</b>
<b>Annex C (informative) Drilling and sampling equipment for soil and rock .....</b>		<b>65</b>
<b>Annex D (informative) Examples of commonly used samplers and sample types .....</b>		<b>127</b>
<b>Annex E (informative) Vacuum bottles for groundwater sampling .....</b>		<b>130</b>
<b>Annex F (informative) Sealing and securing samples .....</b>		<b>132</b>
<b>Annex G (informative) Sampling of coarse soils by drilling .....</b>		<b>133</b>
<b>Annex H (informative) Sample quality .....</b>		<b>134</b>
<b>Bibliography .....</b>		<b>141</b>

## Foreword

ISO (the International Organization for Standardization) is a worldwide federation of national standards bodies (ISO member bodies). The work of preparing International Standards is normally carried out through ISO technical committees. Each member body interested in a subject for which a technical committee has been established has the right to be represented on that committee. International organizations, governmental and non-governmental, in liaison with ISO, also take part in the work. ISO collaborates closely with the International Electrotechnical Commission (IEC) on all matters of electrotechnical standardization.

The procedures used to develop this document and those intended for its further maintenance are described in the ISO/IEC Directives, Part 1. In particular, the different approval criteria needed for the different types of ISO documents should be noted. This document was drafted in accordance with the editorial rules of the ISO/IEC Directives, Part 2 (see [www.iso.org/directives](http://www.iso.org/directives)).

Attention is drawn to the possibility that some of the elements of this document may be the subject of patent rights. ISO shall not be held responsible for identifying any or all such patent rights. Details of any patent rights identified during the development of the document will be in the Introduction and/or on the ISO list of patent declarations received (see [www.iso.org/patents](http://www.iso.org/patents)).

Any trade name used in this document is information given for the convenience of users and does not constitute an endorsement.

For an explanation of the voluntary nature of standards, the meaning of ISO specific terms and expressions related to conformity assessment, as well as information about ISO's adherence to the World Trade Organization (WTO) principles in the Technical Barriers to Trade (TBT) see [www.iso.org/iso/foreword.html](http://www.iso.org/iso/foreword.html) (standards.iteh.ai)

This document was prepared by Technical Committee ISO/TC 182, *Geotechnics*, in collaboration with the European Committee for Standardization (CEN) Technical Committee CEN/TC 341, *Geotechnical Investigation and Testing*, in accordance with the Agreement on technical cooperation between ISO and CEN (Vienna Agreement).

This second edition cancels and replaces the first edition (ISO 22475-1:2006), which has been technically revised.

The main changes compared to the previous edition are as follows:

- clauses on groundwater measurement will be part of ISO 18674-4;
- new sampling categories for soils have been added;
- editorial updates have been made.

A list of all parts in the ISO 22475 series can be found on the ISO website.

Any feedback or questions on this document should be directed to the user's national standards body. A complete listing of these bodies can be found at [www.iso.org/members.html](http://www.iso.org/members.html).

**iTeh STANDARD PREVIEW**  
**(standards.iteh.ai)**

ISO 22475-1:2021

<https://standards.iteh.ai/catalog/standards/sist/d7274037-f9bf-4c62-909a-6ae062a7d1fb/iso-22475-1-2021>

# Geotechnical investigation and testing — Sampling methods and groundwater measurements —

## Part 1: Technical principles for the sampling of soil, rock and groundwater

### 1 Scope

This document deals with principles of sampling of soil, rock and groundwater as part of the programme of geotechnical investigation and testing.

NOTE 1 This document fulfils the requirements for sampling of soil, rock and groundwater, and groundwater measurements as part of the programme of geotechnical investigation and testing according to EN 1997-1 and EN 1997-2.

The aims of such ground investigations are:

- a) to recover soil, rock and water samples of a quality appropriate to assess the general suitability of a site for geotechnical engineering purposes and to determine the required ground characteristics in the laboratory;
- b) to obtain information on the sequence, thickness and orientation of strata and discontinuities;
- c) to establish the type, composition and condition of strata;
- d) to obtain information on groundwater conditions and recover water samples for assessment of the interaction of groundwater, soil, rock and construction material.

Soil sampling for the purposes of agricultural and environmental soil investigation is not covered.

NOTE 2 Guidance on soil sampling for these purposes including of contaminated or potentially contaminated sites is provided in the ISO 18400 series. ISO 18400-204 provides in addition guidance on sampling and measurement of soil (ground) gas.

NOTE 3 The sampling methods, presented in this document may not be suitable for all types of soil e.g. peat with strong fibrous structure.

NOTE 4 Some of the sampling methods presented in this document are suitable for both soil and rock.

Water sampling for the purposes of quality control, quality characterisation and identification of sources of pollution of water, including bottom deposits and sludges, is not covered.

NOTE 5 Water sampling for these purposes can be found in the ISO 5667 series.

### 2 Normative references

The following documents are referred to in the text in such a way that some or all of their content constitutes requirements of this document. For dated references, only the edition cited applies. For undated references, the latest edition of the referenced document (including any amendments) applies.

ISO 14688-1, *Geotechnical investigation and testing — Identification and classification of soil — Part 1: Identification and description*

ISO 14689, *Geotechnical investigation and testing — Identification, description and classification of rock*

## ISO 22475-1:2021(E)

ISO 3551-1, *Rotary core diamond drilling equipment — System A — Part 1: Metric units*

ISO 3552-1, *Rotary core diamond drilling equipment — System B — Part 1: Metric units*

ISO 10097-1, *Wireline diamond core drilling equipment — System A — Part 1: Metric units*

ISO/IEC Guide 98-3, *Uncertainty of measurement — Part 3: Guide to the expression of uncertainty in measurement (GUM:1995)*

ISO/IEC Guide 98-3:2008/Suppl 1:2008, *Uncertainty of measurement — Part 3: Guide to the expression of uncertainty in measurement (GUM:1995) — Supplement 1: Propagation of distributions using a Monte Carlo method*

ISO/IEC Guide 98-1, *Uncertainty of measurement — Part 1: Introduction to the expression of uncertainty in measurement*

### 3 Terms, definitions and abbreviated terms

For the purposes of this document, the terms and definitions given in ISO 14688-1, ISO 14689 and the following apply.

ISO and IEC maintain terminology databases for use in standardization at the following addresses:

— ISO Online browsing platform: available at <https://www.iso.org/obp>

— IEC Electropedia: available at <https://www.electropedia.org/>

#### 3.1 Ground investigation methods

##### 3.1.1

##### **trial pit**

open excavation constructed to examine the ground conditions in-situ, recover *samples* (3.3.4) or carry out field testing

##### 3.1.2

##### **shaft**

open or steeply inclined excavation, typically more than 5 m deep, constructed to examine the ground conditions in-situ, recover *samples* (3.3.4) or carry out field testing

##### 3.1.3

##### **heading**

adit

small tunnel driven horizontally or with a slight inclination from a *shaft* (3.1.2) or into sloping ground to examine the ground conditions in-situ, recover *samples* (3.3.4) or carry out field testing

##### 3.1.4

##### **borehole**

hole of any predetermined diameter and length formed in any geological formation or manmade material by *drilling* (3.1.5)

Note 1 to entry: Investigations carried out in such a hole can be to recover rock, soil or water *samples* (3.3.4) from a specified depth or to carry out field tests and measurements.

##### 3.1.5

##### **drilling**

process by which a *borehole* (3.1.4) is produced in any geological formation by rotary, rotary percussive, percussive, resonance/sonic or thrust methods and in any predetermined direction in relation to the *drill rig* (3.2.3)



**3.1.6****small diameter drilling**

*drilling* (3.1.5) in the soil with a diameter greater than 30 mm but less than 80 mm

**3.1.7****drilling method**

technique employed to create and stabilise the *borehole* (3.1.4)

**3.2 Drilling rigs and equipment****3.2.1****drilling tool**

device, which is attached to, or an integral part of, the drill string that is used for penetrating the geological formation as a cutting tool

**3.2.2****drill bit**

device, which is attached to, or an integral part of, the drill string that is used as a cutting tool to penetrate the formation being drilled by the *drilling method* (3.1.7) employed

**3.2.3****drill rig**

device which carries out the *drilling* (3.1.5) function

**3.2.4****casing**

tubing temporarily or permanently inserted into a *borehole* (3.1.4)

Note 1 to entry: It is used e.g. to stabilise it, to prevent the loss of *flushing medium* (3.2.5) to the surrounding formation or to prevent cross flow between different groundwater horizons.

**3.2.5****flushing medium**

liquid or gaseous medium to remove *cuttings* (3.3.10) from the *borehole* (3.1.4), to aid sampling and to lubricate and cool the *drilling tool* (3.2.1)

**3.2.6****additive**

substance added to the *flushing medium* (3.2.5) in order to affect or change its properties to improve its functioning and can include *borehole* (3.1.4) stabilization

**3.2.7****core lifter**

split, internally slotted or serrated conical spring steel ring fitted to the core barrel to hold and retain the *core sample* (3.3.8) whilst the core barrel is being hoisted from the *borehole* (3.1.4)

**3.2.8****sample retainer**

cylindrical device containing flexible spring fingers, hinged wedged-shaped fingers or a hinged flap mounted in a carrier ring and mounted at the lower end of the sampler tube and used to retain the *sample* (3.3.4) in the tube as the sampler is being lifted from the ground

### 3.3 Sampling

#### 3.3.1

##### **sampling by drilling continuous sampling**

process by which *samples* (3.3.4) are obtained by the *drilling tools* (3.2.1) as the *borehole* (3.1.4) proceeds

Note 1 to entry: The *drilling* (3.1.5) process is designed to obtain complete samples of the length of the borehole. The drilling tools are used as sampling tools.

#### 3.3.2

##### **sampling using sampler**

process by which *samples* (3.3.4) are obtained by samplers from *trial pits* (3.1.1), *headings* (3.1.3), *shafts* (3.1.2) or *boreholes* (3.1.4) at selected positions

#### 3.3.3

##### **soil sampling by small diameter drilling**

*sampling by drilling* (3.3.1) in soils using *drilling tools* (3.2.1) with a diameter greater than 30 mm but less than 80 mm

#### 3.3.4

##### **sample**

representative specimen of rock, soil or groundwater recovered from a recorded location

#### 3.3.5

##### **sampling method**

set of equipment and procedures employed in a sampling operation

#### 3.3.6

##### **sampling category**

*sampling methods* (3.3.5) to enable a certain quality of soil or rock *samples* (3.3.4) to be obtained

<https://standards.iteh.ai/catalog/standards/sist/d7274037-19bf-4c62-909a-6ae062a7d1fb/iso-22475-1-2021>

#### 3.3.7

##### **sampling disturbance**

changes to the sample due to the sampling operation

Note 1 to entry: These changes can be of physical, chemical and/or state properties of the sampled material.

#### 3.3.8

##### **core**

##### **core sample**

cylindrical *sample* (3.3.4) of soil or rock obtained from a *borehole* (3.1.4)

#### 3.3.9

##### **block sample**

*sample* (3.3.4) of soil or rock cut out by special techniques to minimise disturbance

#### 3.3.10

##### **cuttings**

particles of geological formations formed in the *borehole* (3.1.4) by the cutting action of the *drilling tool* (3.2.1) and carried to the surface by the *flushing medium* (3.2.5) or by an appropriate device

#### 3.3.11

##### **suspended matter**

abraded ground material in the *flushing medium* (3.2.5) generated by *drilling* (3.1.5), in which the individual particle size cannot be recognised with the naked eye

#### 3.3.12

##### **core run**

length of core sampling in an exploratory hole defined by the start and end depths (or other linear measurement) of the sampling tool

**3.3.13****core loss**

difference between a *core run* (3.3.12) and the length of the *core* (3.3.8) recovered

**3.3.14****area ratio** $C_a$ 

ratio of the area of soil displaced by the sampler tube in proportion to the area of the *sample* (3.3.4):

$$C_a = \frac{D_2^2 - D_1^2}{D_1^2} \cdot 100$$

Note 1 to entry: See [Figure 1](#).

Note 2 to entry: Area ratio is expressed in %.

Note 3 to entry: Area ratio is one of the factors that determine the mechanical disturbance of the soil.

**3.3.15****inside clearance ratio** $C_i$ 

$$C_i = \frac{D_3 - D_1}{D_1} \cdot 100$$

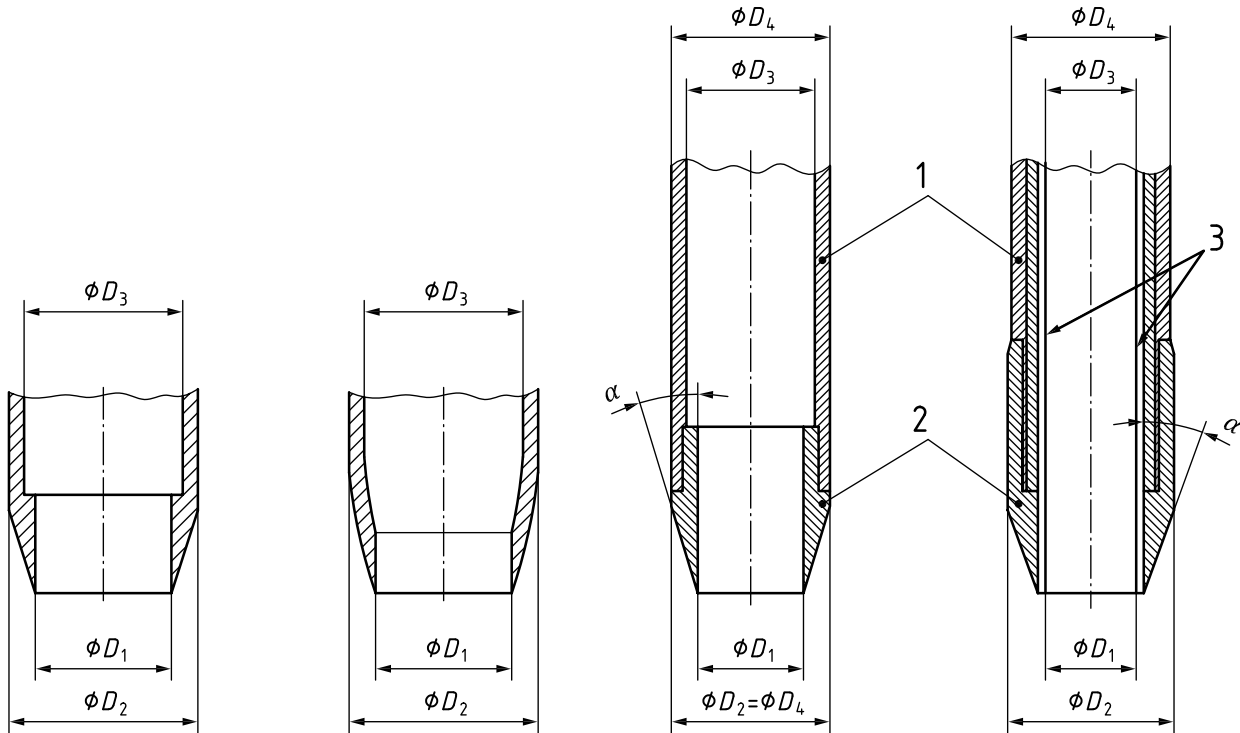
Note 1 to entry: See [Figure 1](#).

Note 2 to entry: Inside clearance ratio is expressed in %.

Note 3 to entry: Inside clearance ratio is one of the factors that determine the mechanical disturbance of the *sample* (3.3.4) caused by the friction on the inside wall of sample tube or of the liner.

[ISO 22475-1:2021](#)

<https://standards.iteh.ai/catalog/standards/sist/d7274037-f9bf-4c62-909a-6ae062a7d1fb/iso-22475-1-2021>



**Key**

- $D_1$  inside diameter of the cutting shoe
- $D_2$  greatest outside diameter of the cutting shoe
- $D_3$  inside diameter of the sample tube or liner
- $D_4$  outside diameter of the sample tube
- $\alpha$  taper angle
- 1 sample tube
- 2 cutting shoe
- 3 liner (optional)

**Figure 1 — Definitions of the diameters  $D_1$ ,  $D_2$ ,  $D_3$  and  $D_4$**

**3.3.16 total core recovery in rock TCR**

total length of *core sample* (3.3.8) recovered (solid and non-intact), expressed as a percentage of the length of the *core run* (3.3.12)

Note 1 to entry: See [Figure 2](#).

**3.3.17 rock quality designation RQD**

summed length of solid core pieces recovered in the *core run* (3.3.12) where each piece is at least 100 mm long between natural fracture, expressed as a percentage

Note 1 to entry: See [Figure 2](#).

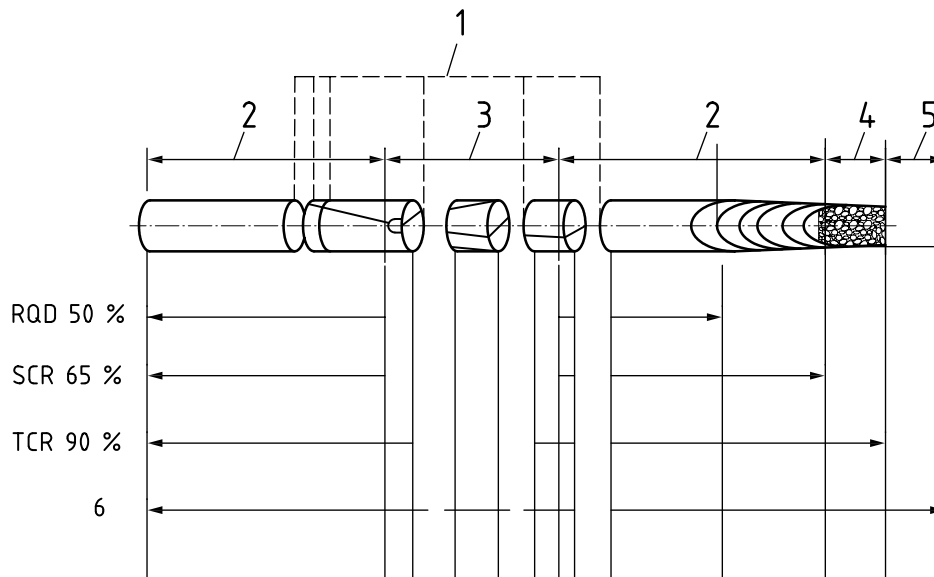
**3.3.18 solid core recovery SCR**

length of solid *core* (3.3.8) recovered in the *core run* (3.3.12), where solid core has at least one full diameter, expressed as a percentage of the length of the core run

Note 1 to entry: See [Figure 2](#).

Note 2 to entry: A solid core has a full diameter, uninterrupted by natural discontinuities, but not necessarily a full circumference and is commonly measured along the core axis or other scan line.

Note 3 to entry: Core without at least one full diameter is termed non-intact.



**Key**

- |   |                                    |     |                                      |
|---|------------------------------------|-----|--------------------------------------|
| 1 | drilling (3.1.5) induced fractures | RQD | rock quality designation (3.3.17)    |
| 2 | at least one full diameter         | SCR | solid core recovery                  |
| 3 | no single full diameter            | TCR | total core recovery in rock (3.3.16) |
| 4 | non-intact                         |     |                                      |
| 5 | no recovery                        |     |                                      |
| 6 | core run                           |     |                                      |

NOTE All features shown are natural discontinuities unless stated otherwise.  
<https://standards.iteh.ai/catalog/standards/sist/d12774057-1d01-4c02-909a-6ae062a7d1fb/iso-22475-1-2021>

**Figure 2 — Application of fracture state terms for rock cores**

**3.3.19  
sample recovery ratio in soil**

**TC**

ratio of the length of the *sample* (3.3.4)  $l_g$  to the length of the sample run  $H$

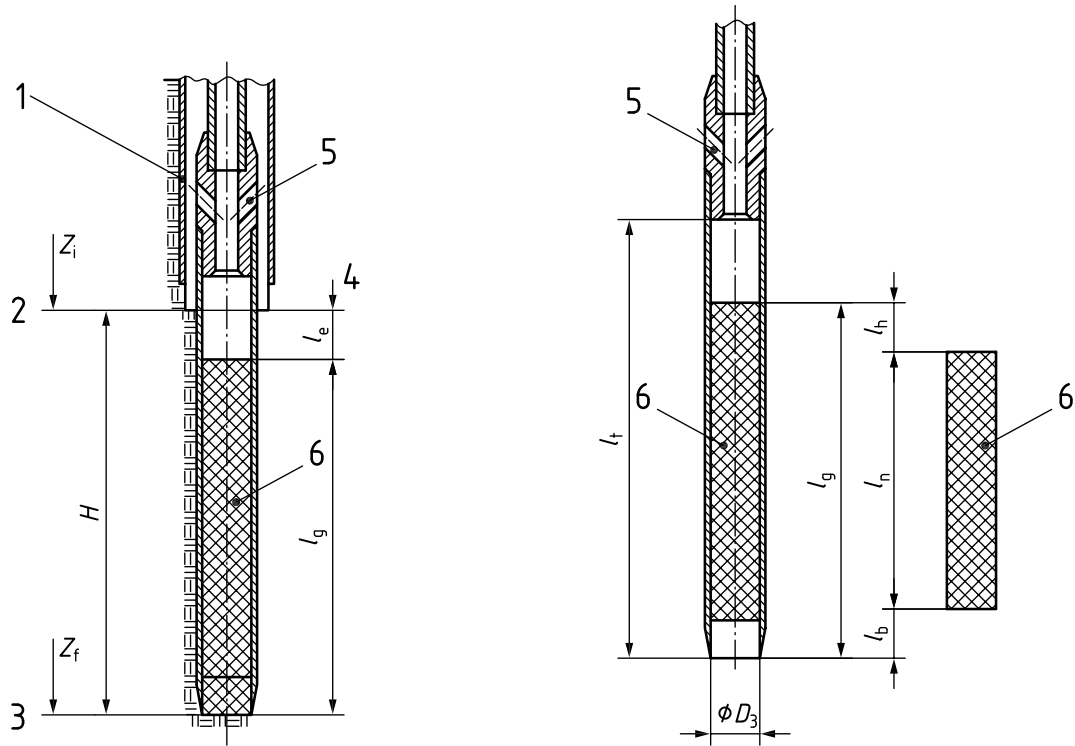
Note 1 to entry: See [Figure 3](#).

**3.3.20  
net sample recovery ratio**

**IC**

ratio of the net length of the *sample* (3.3.4)  $l_n$  to the length of the sample run  $H$

Note 1 to entry: See [Figure 3](#).



a) Before withdrawal of sampler      b) After withdrawal of sampler

**Key**

- |  |  |
|--|--|
| 1 casing (3.2.4)   | $l_b$ length of the lower part of the sample, which was remoulded or lost  |
| 2 beginning of coring  | $l_e$ difference between the sample run and the actual length of the sample  |
| 3 end of coring  | $l_g$ total length of the sample after withdrawal of the sampler, measured from the top of the sample to the cutter edge, including the remoulded or lost parts at both ends of the sample |
| 4 bottom of predrilled borehole (3.1.4)  | $l_h$ length of the remoulded or polluted upper part of the sample   |
| 5 vent-hole  | $l_n$ net length of the sample, before its conditioning  |
| 6 sample   | $l_t$ effective (useful) length of the sampling tube   |
| $D_3$ the inside diameter of the sample tube or liner  |  |
| $H$ length of the sample run   |  |
| $Z_f$ depth under the natural ground level of the lower end of the sampler after sampling and before withdrawing the sampler               |  |
| $Z_i$ depth under the natural ground level of the borehole bottom before sampling, and of the beginning of the following core run (3.3.12) |  |

**Figure 3 — Lengths of core run and sample**

**3.3.21 thin-walled**

<soil sampler> having a low *area ratio* (3.3.14), a low taper angle and a thin edge

**3.3.22 thick-walled**

<soil sampler> having an *area ratio* (3.3.14), taper angle and/or edge larger than that of a *thin-walled* (3.3.21) sampler

### 3.4 Rock and soil properties

#### 3.4.1 structure

pattern of discontinuities in soil and rock mass which subdivides the mass into individual units

#### 3.4.2 texture

size, shape and arrangement of the grains for soil and rock

### 3.5 Abbreviated terms

AS	disturbed sample from augering
B	bulk disturbed samples
BS	hand trimmed block sample
CP	cable percussion drilling
CPT	cone penetration testing
CS	rotary core sample
D	small disturbed sample
DLDS	Deltares large diameter sampler
DT	double tube drilling
GS	grab sample
HSAS	liner sample from hollow stem augering
LS	large samplers
OS	open-tube samplers
PE	percussion
PS	piston samplers
PU	pushed
RC	rotary coring
RO	rotary open holing
S-SPT	standard penetration test sampler
S-TP	disturbed sampling from trial pit
S-BB	sampling from borehole bottom
SN	resonance/sonic drilling
ST	single tube drilling
T/W	thin-walled
TK/W	thick-walled