



SLOVENSKI STANDARD SIST EN 134:2024

01-julij-2024

Nadomešča:
SIST EN 134:1998

Oprema za varovanje dihal - Poimenovanje sestavnih delov

Respiratory protective devices - Nomenclature of components

Atenschutzgeräte - Benennungen von Einzelteilen

Appareils de protection respiratoire - Nomenclature des composants

Ta slovenski standard je istoveten z: **EN 134:2024**

[SIST EN 134:2024](https://standards.iteh.ai/catalog/standards/sist/86c3582a-bc89-405d-abb8-b83a8cb01b35/sist-en-134-2024)

<https://standards.iteh.ai/catalog/standards/sist/86c3582a-bc89-405d-abb8-b83a8cb01b35/sist-en-134-2024>

01.040.13	Okolje. Varovanje zdravja. Varnost (Slovarji)	Environment. Health protection. Safety (Vocabularies)
13.340.30	Varovalne dihalne naprave	Respiratory protective devices

SIST EN 134:2024

en,fr,de

EUROPEAN STANDARD

EN 134

NORME EUROPÉENNE

EUROPÄISCHE NORM

March 2024

ICS 13.340.30

Supersedes EN 134:1998

English Version

Respiratory protective devices - Nomenclature of components

Appareils de protection respiratoire - Nomenclature
des composants

Atemschutzgeräte - Benennungen von Einzelteilen

This European Standard was approved by CEN on 3 March 2023.

CEN members are bound to comply with the CEN/CENELEC Internal Regulations which stipulate the conditions for giving this European Standard the status of a national standard without any alteration. Up-to-date lists and bibliographical references concerning such national standards may be obtained on application to the CEN-CENELEC Management Centre or to any CEN member.

This European Standard exists in three official versions (English, French, German). A version in any other language made by translation under the responsibility of a CEN member into its own language and notified to the CEN-CENELEC Management Centre has the same status as the official versions.

CEN members are the national standards bodies of Austria, Belgium, Bulgaria, Croatia, Cyprus, Czech Republic, Denmark, Estonia, Finland, France, Germany, Greece, Hungary, Iceland, Ireland, Italy, Latvia, Lithuania, Luxembourg, Malta, Netherlands, Norway, Poland, Portugal, Republic of North Macedonia, Romania, Serbia, Slovakia, Slovenia, Spain, Sweden, Switzerland, Türkiye and United Kingdom.

Document Preview

[SIST EN 134:2024](https://standards.iteh.ai/catalog/standards/sist/86c3582a-bc89-405d-abb8-b83a8cb01b35/sist-en-134-2024)

<https://standards.iteh.ai/catalog/standards/sist/86c3582a-bc89-405d-abb8-b83a8cb01b35/sist-en-134-2024>



EUROPEAN COMMITTEE FOR STANDARDIZATION
COMITÉ EUROPÉEN DE NORMALISATION
EUROPÄISCHES KOMITEE FÜR NORMUNG

CEN-CENELEC Management Centre: Rue de la Science 23, B-1040 Brussels

EN 134:2024 (E)

Contents	Page
European foreword	3
1 Scope	4
2 Normative references	4
3 Terms and definitions	4
Bibliography	25

iTeh Standards
(<https://standards.iteh.ai>)
Document Preview

[SIST EN 134:2024](#)

<https://standards.iteh.ai/catalog/standards/sist/86c3582a-bc89-405d-abb8-b83a8cb01b35/sist-en-134-2024>

European foreword

This document (EN 134:2024) has been prepared by Technical Committee CEN/TC 79 “Respiratory protective devices”, the secretariat of which is held by DIN.

This European Standard shall be given the status of a national standard, either by publication of an identical text or by endorsement, at the latest by September 2024, and conflicting national standards shall be withdrawn at the latest by September 2024.

Attention is drawn to the possibility that some of the elements of this document may be the subject of patent rights. CEN shall not be held responsible for identifying any or all such patent rights.

This document supersedes EN 134:1998.

The main changes compared to the previous edition are listed below:

— keys have been updated.

Any feedback and questions on this document should be directed to the users’ national standards body. A complete listing of these bodies can be found on the CEN website.

According to the CEN-CENELEC Internal Regulations, the national standards organisations of the following countries are bound to implement this European Standard: Austria, Belgium, Bulgaria, Croatia, Cyprus, Czech Republic, Denmark, Estonia, Finland, France, Germany, Greece, Hungary, Iceland, Ireland, Italy, Latvia, Lithuania, Luxembourg, Malta, Netherlands, Norway, Poland, Portugal, Republic of North Macedonia, Romania, Serbia, Slovakia, Slovenia, Spain, Sweden, Switzerland, Türkiye and the United Kingdom.

(<https://standards.iteh.ai>)
Document Preview

[SIST EN 134:2024](https://standards.iteh.ai/catalog/standards/sist/86c3582a-bc89-405d-abb8-b83a8cb01b35/sist-en-134-2024)

<https://standards.iteh.ai/catalog/standards/sist/86c3582a-bc89-405d-abb8-b83a8cb01b35/sist-en-134-2024>

EN 134:2024 (E)

1 Scope

This document specifies the nomenclature for typical components of respiratory protective devices. It does not specify which or how many components are used and where they are located in the apparatus.

The illustrations used are given as examples only for the identification of the different parts and the corresponding terms for facilitating the application. The terms and definitions used are given in EN ISO 16972:2020 and EN 135:1998.

The terms are given in the three official CEN languages.

2 Normative references

The following documents are referred to in the text in such a way that some or all of their content constitutes requirements of this document. For dated references, only the edition cited applies. For undated references, the latest edition of the referenced document (including any amendments) applies.

EN 135:1998, *Respiratory protective devices — List of equivalent terms*

EN ISO 16972:2020, *Respiratory protective devices — Vocabulary and graphical symbols (ISO 16972:2020)*

3 Terms and definitions

For the purposes of this document, the terms and definitions given in EN ISO 16972:2020 and EN 135:1998 and the following apply.

ISO and IEC maintain terminology databases for use in standardization at the following addresses:

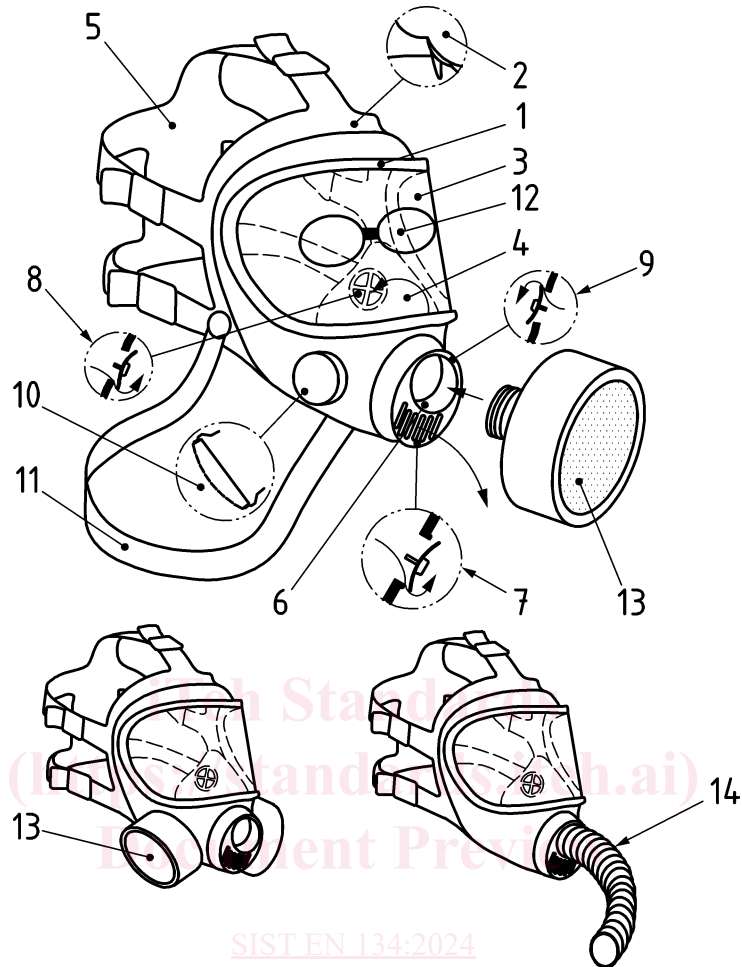
- ISO Online browsing platform: available at <https://www.iso.org/obp>
- IEC Electropedia: available at <https://www.electropedia.org/>

Document Preview

SIST EN 134:2024

<https://standards.iteh.ai/catalog/standards/sist/86c3582a-bc89-405d-abb8-b83a8cb01b35/sist-en-134-2024>

3.1	facepiece	pièces faciales	Atemanschlüsse
3.1.1	full face mask (EN 136)	masque complet (EN 136)	Vollmaske (EN 136)

**Key**

1	faceblank	1	jupe de masque	1	Maskenkörper
2	facepiece seal	2	joint facial	2	Maskendichtrahmen
3	visor	3	oculaire	3	Sichtscheibe
4	inner mask	4	masque intérieur	4	Innenmaske
5	head harness	5	jeu de brides	5	Kopfbänderung
6	equipment connector	6	raccord à l'équipement	6	Geräteanschlussstück
7	exhalation valve	7	soupape expiratoire	7	Ausatemventil
8	check valve	8	soupape inspiratoire du masque intérieur	8	Steuerventil
9	inhalation valve	9	soupape inspiratoire	9	Einatemventil
10	speech diaphragm	10	membrane phonique	10	Sprechmembran
11	carrying strap	11	bretelle de transport	11	Trageband
12	(spectacles)	12	(lunettes)	12	(Maskenbrille)
13	filter	13	filtre	13	Filter
14	breathing hose	14	tuyau respiratoire	14	Atemschlauch

Figure 1

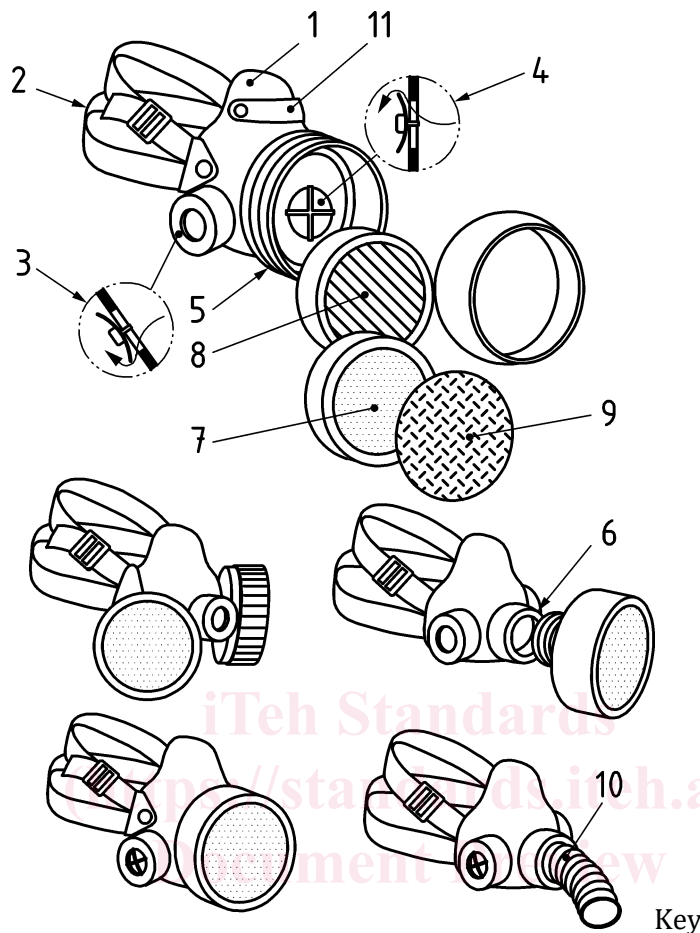
EN 134:2024 (E)

3.1.2

half mask
quarter mask
(EN 140)

demi-masque
quart de masque
(EN 140)

Halbmaske
Viertelmaske
(EN 140)



Key

1	faceblank	1	jupe de masque	1	Maskenkörper
2	head harness	2	jeu de brides	2	Kopfbänderung
3	exhalation valve	3	soupape expiratoire	3	Ausatemventil
4	inhalation valve	4	soupape inspiratoire	4	Einatemventil
5	filter housing	5	boîtier de filtre	5	Filteraufnahme
6	equipment connector	6	raccord à l'équipement	6	Geräteanschlußstück
7	particle filter (EN 143)	7	filtre à particules (EN 143)	7	Partikelfilter (EN 143)
8	gas filter (EN 14387)	8	filtre anti-gaz (EN 14387)	8	Gasfilter (EN 14387)
9	prefilter	9	préfiltre	9	Vorfilter
10	breathing hose	10	tuyau respiratoire	10	Atemschlauch
11	nosepiece	11	barrette nasale	11	Nasenbügel

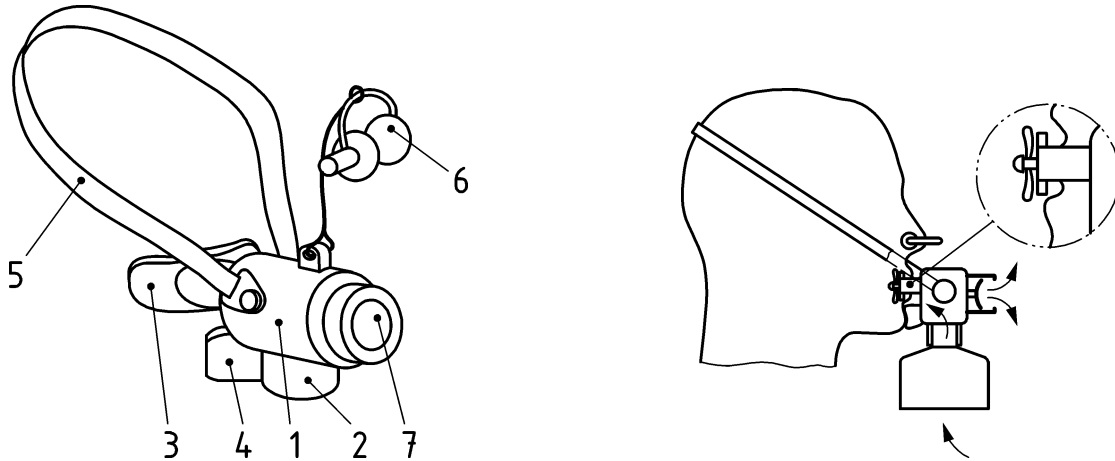
Figure 2

3.1.3

**mouthpiece assembly
for filtering devices and
open- circuit breathing
apparatus
(EN 142)**

**ensemble embout buccal
pour appareils filtrants
et appareils de
protection respiratoire à
circuit ouvert
(EN 142)**

**Mundstückgarnitur für
Filter-, Schlauch- und
Behältergeräte
(EN 142)**

**Key**

1	mouthpiece body	1	corps d'embout buccal	1	Mundstückkörper
2	equipment connector	2	raccord à l'équipement	2	Geräteanschlussstück
3	mouthpiece	3	embout buccal	3	Mundstück
4	chin support	4	mentonnière	4	Kinnstütze
5	head harness	5	jeu de brides	5	Kopfbänderung
6	nose clip	6	pince-nez	6	Nasenklemme
7	exhalation valve	7	soupape expiratoire	7	Ausatemventil

Figure 3

SIST EN 134:2024

<https://standards.iteh.ai/catalog/standards/sist/86c3582a-bc89-405d-abb8-b83a8cb01b35/sist-en-134-2024>

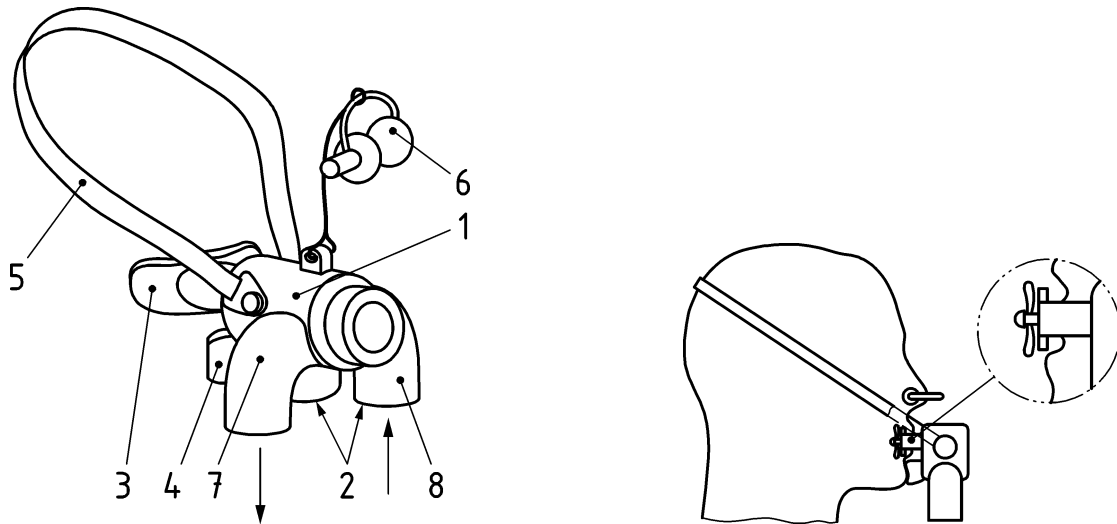
EN 134:2024 (E)

3.1.4

mouthpiece assembly
for closed-circuit
breathing apparatus

ensemble embout
buccal pour appareils de
protection respiratoire
à circuit fermé

Mundstückgarnitur für
Regenerationsgeräte



Key

1	mouthpiece body	1	corps d'embout buccal	1	Mundstückkörper
2	equipment connector	2	raccord à l'équipement	2	Geräteanschlussstück
3	mouthpiece	3	embout buccal	3	Mundstück
4	chin support	4	mentonnière	4	Kinnstütze
5	head harness	5	jeu de brides	5	Kopfbänderung
6	nose clip	6	pince-nez	6	Nasenklemme
7	exhalation valve	7	soupape expiratoire	7	Ausatemventil
8	inhalation valve	8	soupape inspiratoire	8	Einatemventil

SIST EN 134:2024
Figure 4

<https://standards.iteh.ai/catalog/standards/sist/60c5582a-bc89-405d-abb8-b83a8cb01b35/sist-en-134-2024>