
Small craft — Maximum load capacity

Petits navires — Capacité de charge maximale

iTeh STANDARD PREVIEW
(standards.iteh.ai)

[ISO 14946:2021](https://standards.iteh.ai/catalog/standards/sist/7c3f3c8b-0f0b-4f45-bbd1-631a5523b741/iso-14946-2021)

<https://standards.iteh.ai/catalog/standards/sist/7c3f3c8b-0f0b-4f45-bbd1-631a5523b741/iso-14946-2021>



iTeh STANDARD PREVIEW
(standards.iteh.ai)

ISO 14946:2021

<https://standards.iteh.ai/catalog/standards/sist/7c3f3c8b-0f0b-4f45-bbd1-631a5523b741/iso-14946-2021>



COPYRIGHT PROTECTED DOCUMENT

© ISO 2021

All rights reserved. Unless otherwise specified, or required in the context of its implementation, no part of this publication may be reproduced or utilized otherwise in any form or by any means, electronic or mechanical, including photocopying, or posting on the internet or an intranet, without prior written permission. Permission can be requested from either ISO at the address below or ISO's member body in the country of the requester.

ISO copyright office
CP 401 • Ch. de Blandonnet 8
CH-1214 Vernier, Geneva
Phone: +41 22 749 01 11
Email: copyright@iso.org
Website: www.iso.org

Published in Switzerland

Contents

	Page
Foreword	iv
1 Scope	1
2 Normative references	1
3 Terms and definitions	1
4 Maximum recommended number of persons (crew)	2
5 Maximum load, m_{ML}	2
6 Manufacturer's maximum recommended load	3
7 Maximum load for the builder's plate, m_{MBP}	3
8 Owner's manual	3
Bibliography	4

iTeh STANDARD PREVIEW (standards.iteh.ai)

ISO 14946:2021

<https://standards.iteh.ai/catalog/standards/sist/7c3f3c8b-0f0b-4f45-bbd1-631a5523b741/iso-14946-2021>

Foreword

ISO (the International Organization for Standardization) is a worldwide federation of national standards bodies (ISO member bodies). The work of preparing International Standards is normally carried out through ISO technical committees. Each member body interested in a subject for which a technical committee has been established has the right to be represented on that committee. International organizations, governmental and non-governmental, in liaison with ISO, also take part in the work. ISO collaborates closely with the International Electrotechnical Commission (IEC) on all matters of electrotechnical standardization.

The procedures used to develop this document and those intended for its further maintenance are described in the ISO/IEC Directives, Part 1. In particular, the different approval criteria needed for the different types of ISO documents should be noted. This document was drafted in accordance with the editorial rules of the ISO/IEC Directives, Part 2 (see www.iso.org/directives).

Attention is drawn to the possibility that some of the elements of this document may be the subject of patent rights. ISO shall not be held responsible for identifying any or all such patent rights. Details of any patent rights identified during the development of the document will be in the Introduction and/or on the ISO list of patent declarations received (see www.iso.org/patents).

Any trade name used in this document is information given for the convenience of users and does not constitute an endorsement.

For an explanation of the voluntary nature of standards, the meaning of ISO specific terms and expressions related to conformity assessment, as well as information about ISO's adherence to the World Trade Organization (WTO) principles in the Technical Barriers to Trade (TBT), see www.iso.org/iso/foreword.html.

The document was prepared by Technical Committee ISO/TC 188, *Small craft*, in collaboration with the European Committee for Standardization (CEN) Technical Committee CEN/TC 464, *Small craft*, in accordance with the Agreement on technical cooperation between ISO and CEN (Vienna Agreement).

This second edition cancels and replaces the first edition (ISO 14946:2001), which has been technically revised.

The main changes compared to the previous edition are as follows:

- in [Clause 3](#), definitions have been updated, the occupancy area has been clarified and Figure 1 has been added;
- in [Clause 5](#), it has been clarified that the ballast in maximum load m_{ML} does not include ballast for the manufacturer to meet ISO 12217 (all parts);
- [Clause 6](#) and [Clause 7](#) have been added for greater clarity;
- in [Clause 8](#), the owner's manual reference has been updated.

Any feedback or questions on this document should be directed to the user's national standards body. A complete listing of these bodies can be found at www.iso.org/members.html.

Small craft — Maximum load capacity

1 Scope

This document specifies the items included in the maximum load of small craft, without exceeding the limits set by other ISO standards for stability, freeboard, and flotation. It further sets requirements for seating and occupancy areas of crew members.

Personal watercraft are excluded from the Scope of this document.

2 Normative references

There are no normative references in this document.

3 Terms and definitions

For the purposes of this document, the following terms and definitions apply.

ISO and IEC maintain terminological databases for use in standardization at the following addresses:

- ISO Online browsing platform: available at <https://www.iso.org/obp>
- IEC Electropedia: available at <http://www.electropedia.org/>

3.1

light craft mass

m_{LCC}

mass of the *craft* (3.4) in light craft condition

ISO 14946:2021

<https://standards.iteh.ai/catalog/standards/sist/7c3f3c8b-0f0b-4f45-bbd1-631a5523b741/iso-14946-2021>

Note 1 to entry: Refer to ISO 8666.

3.2

seat

surface, horizontal or nearly horizontal, intended for a person to sit, with minimum dimensions of 400 mm width by 750 mm length inclusive of clear foot space in front of the seat

Note 1 to entry: See [Figure 1](#).

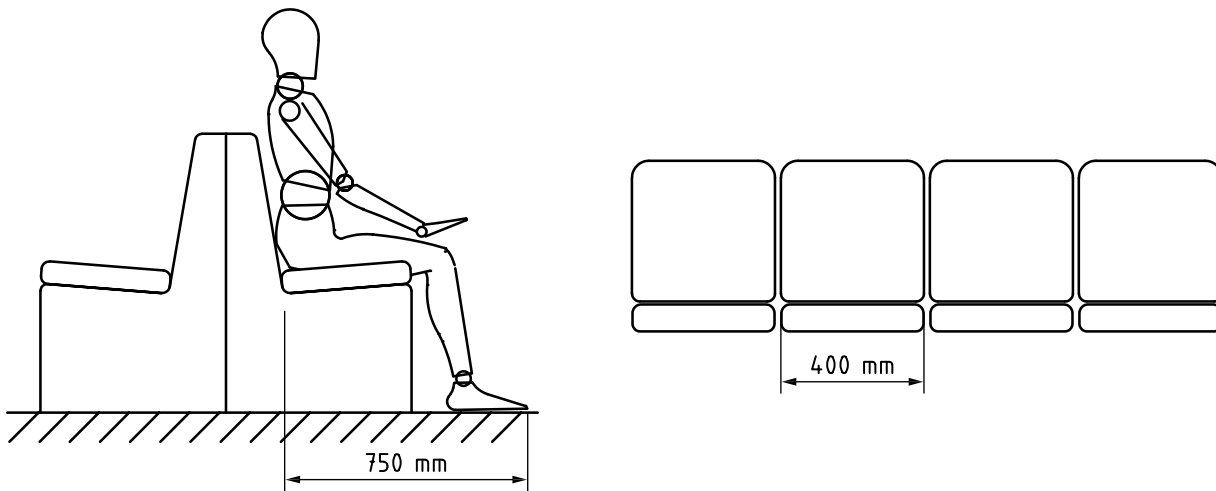


Figure 1 – Seat dimensions

3.3 occupancy area

clear space within the confines of the *craft* (3.4) intended for persons to stand or lean provided that a minimum area measuring 400 mm × 400 mm is available for each person so accommodated

3.4 craft small craft

recreational boat, and other watercraft using similar equipment, of up to 24 m length of hull (L_H)

Note 1 to entry: The measurement methodology for the length of hull is defined in ISO 8666.

[SOURCE: ISO 8666:2020, 3.15, modified – Note 1 to entry has been added.]

4 Maximum recommended number of persons (crew)

The manufacturer's maximum recommended number of persons carried when the craft is underway shall not exceed the number of persons for which seats and/or occupancy area is assigned by the manufacturer with dimensions as defined in 3.2 and 3.3.

NOTE The maximum recommended number of persons can be limited by other standards, particularly those for freeboard, stability, and flotation.

5 Maximum load, m_{ML}

Load which the craft is designed to carry in addition to the light craft condition, comprised of the following:

- a) the crew mass, limited at 75 kg each;

NOTE ISO 12217-3 and ISO 6185 (all parts) allow half person capacity for a child up to 37,5 kg.
- b) the personal effects of the crew;
- c) stores and cargo (if any), dry provisions, consumable liquids;
- d) contents of all permanently installed storage tanks filled to 95 % of their maximum capacity, including fuel, drinking water, black water, grey water, lubricating and hydraulic oil, bait tanks and/or live wells;

- e) ballast water at 100 % capacity;
- f) consumable liquids in portable tanks (drinking water, fuel) filled to 95 % of the maximum capacity;
- g) dinghy or other craft intended to be carried aboard, and any outboard motor associated with them;
- h) liferaft(s) if carried in excess of the minimum required in essential safety equipment;
- i) non-edible stores and equipment normally carried on the craft and not included in the manufacturer's list of standard equipment, e.g. loose internal equipment and tools, spare parts, and additional anchors.

NOTE Liferafts are not included in essential safety equipment for design categories C and D. See ISO 12217 (all parts) for a description of the design categories.

As a guide, not less than 20 kg per person should be allowed for personal effects on habitable craft.

6 Manufacturer's maximum recommended load

Maximum load specified in [Clause 5](#) (fuel, water, provisions, miscellaneous equipment and people, in kilograms) for which the craft is designed, determined in accordance with the stability, freeboard, buoyancy and flotation requirements for its design category.

NOTE 1 Methods for evaluating stability, freeboard, buoyancy and flotation requirements are specified in ISO 12217 (all parts).

NOTE 2 The maximum recommended load can be downrated or limited by the manufacturer, or other standards, particularly those for freeboard, stability and flotation.

7 Maximum load for the builder's plate, m_{MBP}

Manufacturer's maximum recommended load, displayed on the builder's plate, which excludes the weight of the contents of the fixed tanks when full, as specified in [Clause 5](#), d) and e).

8 Owner's manual

8.1 The manufacturer shall state in the owner's manual the maximum recommended number of persons in accordance with [Clause 4](#).

8.2 The manufacturer shall state in the owner's manual the maximum load for the builder's plate in accordance with [Clause 7](#).

Bibliography

- [1] ISO 6185 (all parts), *Inflatable boats*
- [2] ISO 8666:2020, *Small craft — Principal data*
- [3] ISO 12217 (all parts), *Small craft — Stability and buoyancy assessment and categorization*

iTeh STANDARD PREVIEW
(standards.iteh.ai)

[ISO 14946:2021](https://standards.iteh.ai/catalog/standards/sist/7c3f3c8b-0f0b-4f45-bbd1-631a5523b741/iso-14946-2021)

<https://standards.iteh.ai/catalog/standards/sist/7c3f3c8b-0f0b-4f45-bbd1-631a5523b741/iso-14946-2021>

iTeh STANDARD PREVIEW
(standards.iteh.ai)

ISO 14946:2021

<https://standards.iteh.ai/catalog/standards/sist/7c3f3c8b-0f0b-4f45-bbd1-631a5523b741/iso-14946-2021>

iTeh STANDARD PREVIEW
(standards.iteh.ai)

ISO 14946:2021

<https://standards.iteh.ai/catalog/standards/sist/7c3f3c8b-0f0b-4f45-bbd1-631a5523b741/iso-14946-2021>