



SLOVENSKI STANDARD
oSIST prEN ISO 5829:2020

01-oktober-2020

Uporovno točkovno varjenje - Držala elektrod z notranjim konusom 1: 10 (ISO 5829:1984)

Resistance spot welding - Electrode adaptors, female taper 1:10 (ISO 5829:1984)

Widerstandspunktschweißen - Elektrodenadapter, Innenkegel 1:10 (weiblich) (ISO 5829:1984)

Soudage par points par résistance - Allonges d'électrode à embout amovible (cône femelle 1/10) (ISO 5829:1984)

[SIST EN ISO 5829:2021](https://standards.iteh.ai/catalog/standards/sist/44abc5d1-5b03-4b4f-b202-2020-01-5829/sist-5829-2020)

<https://standards.iteh.ai/catalog/standards/sist/44abc5d1-5b03-4b4f-b202-2020-01-5829/sist-5829-2020>

Ta slovenski standard je istoveten z: prEN ISO 5829

ICS:

25.160.30

Varilna oprema

Welding equipment

oSIST prEN ISO 5829:2020

en,fr,de

International Standard 5829

INTERNATIONAL ORGANIZATION FOR STANDARDIZATION • МЕЖДУНАРОДНАЯ ОРГАНИЗАЦИЯ ПО СТАНДАРТИЗАЦИИ • ORGANISATION INTERNATIONALE DE NORMALISATION

oSIST prEN ISO 5829:2020

Resistance spot welding — Electrode adaptors, female taper 1 : 10

Soudage par points par résistance — Allonges d'électrode à embout amovible (cône femelle 1/10)

First edition — 1984-10-01

UDC 621.791.039 : 621.791.763

Ref. No. ISO 5829-1984 (E)

Descriptors : welding, resistance welding, spot welding, resistance welding electrodes, electrode holders, dimensions, designation, marking.

Price based on 2 pages

Foreword

ISO (the International Organization for Standardization) is a worldwide federation of national standards bodies (ISO member bodies). The work of preparing International Standards is normally carried out through ISO technical committees. Every member body interested in a subject for which a technical committee has been established has the right to be represented on that committee. International organizations, governmental and non-governmental, in liaison with ISO, also take part in the work.

Draft International Standards adopted by the technical committees are circulated to the member bodies for approval before their acceptance as International Standards by the ISO Council. They are approved in accordance with ISO procedures requiring at least 75 % approval by the member bodies voting.

International Standard ISO 5829 was prepared by Technical Committee ISO/TC 44, *Welding and allied processes*.

SIST EN ISO 5829:2021

<https://standards.iteh.ai/catalog/standards/sist/44abc5d1-5b03-4b4f-b202-2ec2a3f0b525/sist-en-iso-5829-2021>

Resistance spot welding – Electrode adaptors, female taper 1 : 10

1 Scope and field of application

This International Standard specifies the dimensions and tolerances of resistance spot welding electrode adaptors where the fixing element for the cap is a female taper (male electrode cap, see ISO 5830) and for which the electrode taper fits conform to ISO 1089.

2 References

ISO 1089, *Electrode taper fits for spot welding equipment – Dimensions.*

ISO 1302, *Technical drawings – Method of indicating surface texture on drawings.*

ISO 5182, *Materials for resistance welding electrodes and ancillary equipment.*

ISO 5830, *Resistance spot welding male electrode caps.*

3 Dimensions

The dimensions shall be those given in the figure and the table.

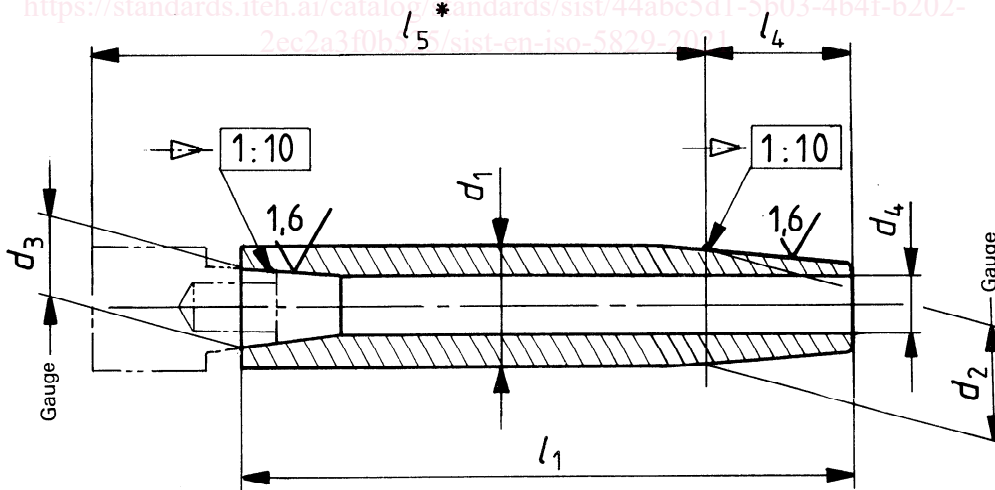


Figure – Electrode adaptor

Table – Dimensions

Dimensions in millimetres

d_1	$d_2^{1)}$	$d_3^{1)}$	d_4	l_4 $\pm 0,5$	l_1				
					for $l_5^* =$				
h11					31,5	40	50	63	80
16	15,5	11,8	8	20	32,5	41	51	64	81

1) d_2 and d_3 are gauge dimensions at the taper reference line.

* For information purposes only.