
**Paints and varnishes — Determination
of film thickness**

Peintures et vernis — Détermination de l'épaisseur du feuil

iTeh Standards
(<https://standards.iteh.ai>)
Document Preview

[ISO 2808:2019](#)

<https://standards.iteh.ai/catalog/standards/iso/c7cf7cf8-dc3c-44ae-859c-d23c57debccd/iso-2808-2019>



iTeh Standards
(<https://standards.iteh.ai>)
Document Preview

ISO 2808:2019

<https://standards.iteh.ai/catalog/standards/iso/c7cf7cf8-dc3c-44ae-859c-d23c57debccd/iso-2808-2019>



COPYRIGHT PROTECTED DOCUMENT

© ISO 2019

All rights reserved. Unless otherwise specified, or required in the context of its implementation, no part of this publication may be reproduced or utilized otherwise in any form or by any means, electronic or mechanical, including photocopying, or posting on the internet or an intranet, without prior written permission. Permission can be requested from either ISO at the address below or ISO's member body in the country of the requester.

ISO copyright office
CP 401 • Ch. de Blandonnet 8
CH-1214 Vernier, Geneva
Phone: +41 22 749 01 11
Fax: +41 22 749 09 47
Email: copyright@iso.org
Website: www.iso.org

Published in Switzerland

Contents

Page

Foreword	v
Introduction	vi
1 Scope	1
2 Normative references	1
3 Terms and definitions	1
4 Determination of wet-film thickness	5
4.1 General.....	5
4.2 Mechanical methods.....	5
4.2.1 Principle.....	5
4.2.2 Field of application.....	5
4.2.3 General.....	5
4.2.4 Method 1A — Comb gauge.....	5
4.2.5 Method 1B — Wheel gauge.....	6
4.2.6 Method 1C — Dial gauge.....	7
4.3 Gravimetric method.....	9
4.3.1 Principle.....	9
4.3.2 Field of application.....	9
4.3.3 General.....	9
4.3.4 Method 2 — By difference in mass.....	9
4.4 Photothermal method.....	10
4.4.1 Principle.....	10
4.4.2 Field of application.....	10
4.4.3 General.....	10
4.4.4 Method 3 — Determination using thermal properties.....	11
5 Determination of dry-film thickness	11
5.1 General.....	11
5.2 Mechanical methods.....	11
5.2.1 Principle.....	11
5.2.2 Field of application.....	12
5.2.3 General.....	12
5.2.4 Method 4A — By difference in thickness.....	12
5.2.5 Method 4B — Depth gauging.....	15
5.2.6 Method 4C — Surface profile scanning.....	17
5.3 Gravimetric method.....	18
5.3.1 Principle.....	18
5.3.2 Field of application.....	19
5.3.3 General.....	19
5.3.4 Method 5 — By difference in mass.....	19
5.4 Optical methods.....	19
5.4.1 Principle.....	19
5.4.2 Field of application.....	22
5.4.3 General.....	22
5.4.4 Method 6A — Cross-sectioning.....	23
5.4.5 Method 6B — Wedge cut.....	24
5.4.6 Method 6C — White-light interferometry.....	24
5.5 Magnetic methods.....	25
5.5.1 Principle.....	25
5.5.2 Field of application.....	25
5.5.3 General.....	25
5.5.4 Method 7A — Magnetic pull-off gauge.....	25
5.5.5 Method 7B.1 — Magnetic-flux gauge.....	26
5.5.6 Method 7B.2 — Magnetic field change, magnetic-induction principle.....	27

5.5.7	Method 7C — Eddy-current gauge	28
5.6	Radiological method	29
5.6.1	Principle	29
5.6.2	Field of application	29
5.6.3	General	29
5.6.4	Method 8 — Beta backscatter method	30
5.7	Photothermal method	30
5.7.1	Principle	30
5.7.2	Field of application	31
5.7.3	General	31
5.7.4	Method 9 — Determination using thermal properties	31
5.8	Acoustic method	32
5.8.1	Principle	32
5.8.2	Field of application	32
5.8.3	General	32
5.8.4	Method 10 — Ultrasonic reflection	32
5.9	Electromagnetic method	33
5.9.1	Method 11 — Terahertz method	33
6	Determination of thickness of uncured powder layers	35
6.1	General	35
6.2	Gravimetric method	35
6.2.1	Principle	35
6.2.2	Field of application	35
6.2.3	General	35
6.2.4	Method 12 — By difference in mass	35
6.3	Magnetic methods	36
6.3.1	Principle	36
6.3.2	Field of application	36
6.3.3	General	36
6.3.4	Method 13A — Magnetic-induction method	36
6.3.5	Method 13B — Eddy-current	37
6.4	Photothermal method	38
6.4.1	Principle	38
6.4.2	Field of application	39
6.4.3	General	39
6.4.4	Method 14 — Determination using thermal properties	39
7	Test report	39
	Annex A (informative) Overview of methods	41
	Annex B (informative) Measurement of film thickness on rough surfaces	44
	Annex C (informative) Factors affecting the precision of readings obtained when measuring on wooden substrates	46
	Bibliography	48

Foreword

ISO (the International Organization for Standardization) is a worldwide federation of national standards bodies (ISO member bodies). The work of preparing International Standards is normally carried out through ISO technical committees. Each member body interested in a subject for which a technical committee has been established has the right to be represented on that committee. International organizations, governmental and non-governmental, in liaison with ISO, also take part in the work. ISO collaborates closely with the International Electrotechnical Commission (IEC) on all matters of electrotechnical standardization.

The procedures used to develop this document and those intended for its further maintenance are described in the ISO/IEC Directives, Part 1. In particular, the different approval criteria needed for the different types of ISO documents should be noted. This document was drafted in accordance with the editorial rules of the ISO/IEC Directives, Part 2 (see www.iso.org/directives).

Attention is drawn to the possibility that some of the elements of this document may be the subject of patent rights. ISO shall not be held responsible for identifying any or all such patent rights. Details of any patent rights identified during the development of the document will be in the Introduction and/or on the ISO list of patent declarations received (see www.iso.org/patents).

Any trade name used in this document is information given for the convenience of users and does not constitute an endorsement.

For an explanation of the voluntary nature of standards, the meaning of ISO specific terms and expressions related to conformity assessment, as well as information about ISO's adherence to the World Trade Organization (WTO) principles in the Technical Barriers to Trade (TBT) see www.iso.org/iso/foreword.html.

This document was prepared by Technical Committee ISO/TC 35, *Paints and varnishes*, SC 9, *General test methods for paints and varnishes*.

This fifth edition cancels and replaces the fourth edition (ISO 2808:2007), which has been technically revised. The main changes compared to the previous edition are as follows:

- the terms and definitions have been updated to ISO 4618 and ISO/IEC Guide 99;
- the principle has been revised;
- white-light interferometer has been added as method 6C;
- the terahertz method has been added as method 11;
- the existing methods have been adapted to the current state of metrology;
- the characterisation of the methods and procedures in [Annex A](#) have been revised;
- information in [Annex A](#) on the precision of the individual methods has been adapted to current standards;
- the references to test standards and constructions standards in [Annex A](#) have been updated;
- former Clause 7 on measurement of the film thickness on rough surfaces has been moved to [Annex B](#);
- [Annex C](#), on factors which influence measuring accuracy when measurements are performed on wood has been added.

Any feedback or questions on this document should be directed to the user's national standards body. A complete listing of these bodies can be found at www.iso.org/members.html.

Introduction

This document consistently enumerates the individual coatings applied in a multi-layer system by referring to the first coating applied on the substrate as coating 1. Some other standards referring to individual test methods enumerate in reverse order.

iTeh Standards
(<https://standards.itih.ai>)
Document Preview

[ISO 2808:2019](https://standards.itih.ai/catalog/standards/iso/c7cf7cf8-dc3c-44ae-859c-d23c57debccd/iso-2808-2019)

<https://standards.itih.ai/catalog/standards/iso/c7cf7cf8-dc3c-44ae-859c-d23c57debccd/iso-2808-2019>

Paints and varnishes — Determination of film thickness

1 Scope

This document describes methods for measuring the thickness of coatings applied to a substrate. Methods for determining wet-film thickness, dry-film thickness and the film thickness of uncured powder layers are described.

For each method described, this document provides an overview of the field of application, existing standards and the precision.

Information on measuring film thickness on rough surfaces is given in [Annex B](#).

Information on measuring film thickness on wooden substrates is given in [Annex C](#).

2 Normative references

The following documents are referred to in the text in such a way that some or all of their content constitutes requirements of this document. For dated references, only the edition cited applies. For undated references, the latest edition of the referenced document (including any amendments) applies.

ISO 3611, *Geometrical product specifications (GPS) — Dimensional measuring equipment: Micrometers for external measurements — Design and metrological characteristics*

ISO 4618, *Paints and varnishes — Terms and definitions*

ISO 8503-1, *Preparation of steel substrates before application of paints and related products — Surface roughness characteristics of blast-cleaned steel substrates — Part 1: Specifications and definitions for ISO surface profile comparators for the assessment of abrasive blast-cleaned surfaces*

<https://standards.iteh.ai/catalog/standards/iso/c7cf7cf8-dc3c-44ae-859c-d23c57debccd/iso-2808-2019>

3 Terms and definitions

For the purposes of this document, the terms and definitions given in ISO 4618 and the following apply.

ISO and IEC maintain terminological databases for use in standardization at the following addresses:

— ISO Online browsing platform: available at <https://www.iso.org/obp>

— IEC Electropedia: available at <http://www.electropedia.org/>

3.1

film thickness

distance between the surface of the film and the surface of the substrate

3.2

wet-film thickness

thickness of a freshly applied wet coating material, measured immediately after application

3.3

dry-film thickness

thickness of a coating remaining on the surface when the coating has hardened

3.4

thickness of uncured powder layer

thickness of a freshly applied coating material in powder form, measured immediately after application and before stoving

3.5

relevant surface area

part of an object covered or to be covered by the coating and for which the coating is essential for serviceability and/or appearance

Note 1 to entry: Measurement of this property is only required for the extended evaluation of film thickness measurements; see [Clause 7](#), k) and l).

3.6

test area

representative part of the relevant surface area within which an agreed number of single measurements is made as a spot-check

Note 1 to entry: Measurement of this property is only required for the extended evaluation of film thickness measurements; see [Clause 7](#), k) and l).

3.7

measurement area

area over which a single measurement is made

Note 1 to entry: Measurement of this property is only required for the extended evaluation of film thickness measurements; see [Clause 7](#), k) and l).

3.8

minimum local film thickness

lowest value of the local film thickness found on the relevant surface area of a particular test specimen

Note 1 to entry: Measurement of this property is only required for the extended evaluation of film thickness measurements; see [Clause 7](#), k) and l).

3.9

maximum local film thickness

highest value of the local film thickness found on the relevant surface area of a particular test specimen

Note 1 to entry: Measurement of this property is only required for the extended evaluation of film thickness measurements; see [Clause 7](#), k) and l).

3.10

mean film thickness

arithmetic mean of all the individual *dry-film thicknesses* ([3.3](#)) in the test area or the result of a gravimetric determination of the thickness

Note 1 to entry: Measurement of this property is only required for the extended evaluation of film thickness measurements; see [Clause 7](#), k) and l).

3.11

calibration

operation that, under specified conditions, in a first step, establishes a relation between the quantity values with measurement uncertainties provided by measurement standards and corresponding indications with associated measurement uncertainties and, in a second step, uses this information to establish a relation for obtaining a measurement result from an indication

Note 1 to entry: A calibration may be expressed by a statement, calibration function, calibration diagram, calibration curve, or calibration table. In some cases, it may consist of an additive or multiplicative correction of the indication with associated measurement uncertainty.

Note 2 to entry: Calibration should not be confused with adjustment of a measuring system, often mistakenly called "self-calibration", nor with verification of calibration.

Note 3 to entry: Often, the first step alone in the above definition is perceived as being calibration.

[SOURCE: ISO/IEC Guide 99:2007, 2.39]

3.12 verification

provision of objective evidence that a given item fulfils specified requirements

EXAMPLE 1 Confirmation that a given reference material as claimed is homogeneous for the quantity value and measurement procedure concerned, down to a measurement portion having a mass of 10 mg.

EXAMPLE 2 Confirmation that performance properties or legal requirements of a measuring system are achieved.

EXAMPLE 3 Confirmation that a target measurement uncertainty can be met.

Note 1 to entry: When applicable, measurement uncertainty should be taken into consideration.

Note 2 to entry: The item may be, e.g. a process, measurement procedure, material, compound, or measuring system.

Note 3 to entry: The specified requirements may be, e.g. that a manufacturer's specifications are met.

Note 4 to entry: Verification in legal metrology, as defined in VIML, and in conformity assessment in general, pertains to the examination and marking and/or issuing of a verification certificate for a measuring system.

Note 5 to entry: Verification should not be confused with calibration. Not every verification is a validation.

Note 6 to entry: In chemistry, verification of the identity of the entity involved, or of activity, requires a description of the structure or properties of that entity or activity.

[SOURCE: ISO/IEC Guide 99:2007, 2.44]

3.13 reference material RM

material, sufficiently homogeneous and stable with reference to specified properties, which has been established to be fit for its intended use in measurement or in examination of nominal properties

Note 1 to entry: Examination of a nominal property provides a nominal property value and associated uncertainty. This uncertainty is not a measurement uncertainty.

Note 2 to entry: Reference materials with or without assigned quantity values can be used for measurement precision control whereas only reference materials with assigned quantity values can be used for calibration or measurement trueness control.

Note 3 to entry: "Reference material" comprises materials embodying quantities as well as nominal properties.

EXAMPLE 1 Examples of reference materials embodying quantities:

- a) water of stated purity, the dynamic viscosity of which is used to calibrate viscometers;
- b) human serum without an assigned quantity value for the amount-of-substance concentration of the inherent cholesterol, used only as a measurement precision control material;
- c) fish tissue containing a stated mass fraction of a dioxin, used as a calibrator.

EXAMPLE 2 Examples of reference materials embodying nominal properties:

- a) colour chart indicating one or more specified colours;
- b) DNA compound containing a specified nucleotide sequence;
- c) urine containing 19-androstenedione.

Note 4 to entry: A reference material is sometimes incorporated into a specially fabricated device.

EXAMPLE 3 Substance of known triple-point in a triple-point cell.

EXAMPLE 4 Glass of known optical density in a transmission filter holder.

ISO 2808:2019(E)

EXAMPLE 5 Spheres of uniform size mounted on a microscope slide.

Note 5 to entry: Some reference materials have assigned quantity values that are metrologically traceable to a measurement unit outside a system of units. Such materials include vaccines to which International Units (IU) have been assigned by the World Health Organization.

Note 6 to entry: In a given measurement, a given reference material can only be used for either calibration or quality assurance.

Note 7 to entry: The specifications of a reference material should include its material traceability, indicating its origin and processing (Accred. Qual. Assur.:2006).

Note 8 to entry: ISO/REMCO has an analogous definition but uses the term "measurement process" to mean "examination" (ISO 15189:2007, 3.4), which covers both measurement of a quantity and examination of a nominal property.

Note 9 to entry: Reference materials may be coated thickness standards, or shims. If agreed to by the contracting parties, a part of the test specimen may be used as a thickness standard for a particular job.

[SOURCE: ISO/IEC Guide 99:2007, 5.13, modified — Note 9 to entry has been added.]

3.14

adjustment

adjustment of a measuring system

set of operations carried out on a measuring system so that it provides prescribed indications corresponding to given values of a quantity to be measured

Note 1 to entry: Types of adjustment of a measuring system include zero adjustment of a measuring system, offset adjustment, and span adjustment (sometimes called gain adjustment).

Note 2 to entry: Adjustment of a measuring system should not be confused with calibration, which is a prerequisite for adjustment.

Note 3 to entry: After an adjustment of a measuring system, the measuring system must usually be recalibrated.

Note 4 to entry: Most digital measurement instruments can be adjusted on a thickness standard or on a shim, where the thickness of the coating or of the shim is known.

[SOURCE: ISO/IEC Guide 99:2007, 3.11, modified — Note 4 to entry has been added and "adjustment" is used as the first preferred term.]

3.15

accuracy

measurement accuracy

accuracy of measurement

closeness of agreement between a measured quantity value and a true quantity value of a measurand

Note 1 to entry: The concept "measurement accuracy" is not a quantity and is not given a numerical quantity value. A measurement is said to be more accurate when it offers a smaller measurement error.

Note 2 to entry: The term "measurement accuracy" should not be used for measurement trueness and the term measurement precision should not be used for 'measurement accuracy', which, however, is related to both these concepts.

Note 3 to entry: "Measurement accuracy" is sometimes understood as closeness of agreement between measured quantity values that are being attributed to the measurand.

[SOURCE: ISO/IEC Guide 99:2007, 2.13, modified — "accuracy" is used as the preferred term.]

4 Determination of wet-film thickness

4.1 General

[Annex A](#) gives an overview of the methods used for the determination of wet-film thickness.

4.2 Mechanical methods

4.2.1 Principle

With mechanical procedures, the measuring instrument (see [Figures 1, 2 and 3](#), Key 4) passes through by the coating being placed on the surface of the substrate. The difference between the points of contact (substrate, see [Figures 1, 2 and 3](#), Key 1) and the coating surface touched from the top of the measurement instrument ([Figures 1, 2 and 3](#), Key 3) corresponds to the readable wet-film thickness.

4.2.2 Field of application

The mechanical principle is suitable for all film-substrate combinations. The substrate has to be flat in at least one direction in the area where the measurement is performed. Curvature of the surface in a single plane is permissible (e.g. internal or external surface of pipes).

4.2.3 General

Classification as a destructive or non-destructive method depends on:

- a) the rheological properties of the coating material;
- b) the nature of the wetting contact between the contact surfaces of the measurement instrument and the coating material;
- c) whether the thickness measurements will make the coating unsuitable for the purpose for which it is intended.

Since the possibility of pigment particles remaining between the gauge and the substrate cannot be excluded, all mechanical methods contain a systematic error: the film thickness displayed is smaller than the actual wet-film thickness by at least the mean diameter of the pigment particles.

In the case of a wheel gauge (method 1B, see [4.2.5](#)), the wheel has to be wetted by the coating material. If not, this represents a further source of systematic error which can result in exaggerated readings and is a function of:

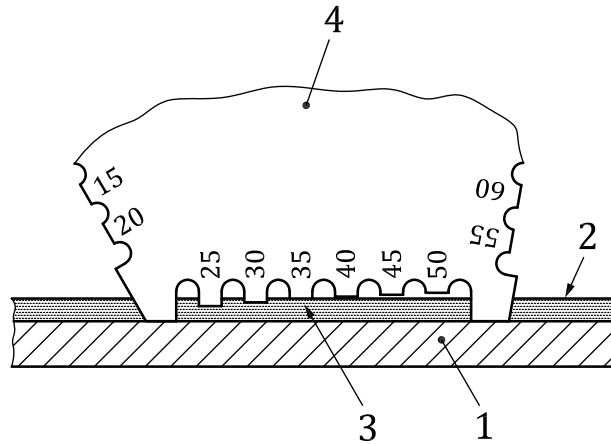
- the surface tension and the rheological properties of the coating material;
- the material of the wheel gauge;
- the speed at which the wheel is turned.

4.2.4 Method 1A — Comb gauge

4.2.4.1 Description of instrument

A comb gauge is a flat plate made of a corrosion-resistant material with teeth along its edges (see [Figure 1](#)). The reference teeth at the corners of the plate define a baseline along which the inner teeth are arranged to give a graduated series of gaps. Each tooth is labelled with the assigned gap value.

With commercially available comb gauges, the maximum thickness which can be measured is typically 2 000 µm and the smallest increment is typically 5 µm.



Key

- 1 substrate
- 2 coating
- 3 point of wetting contact
- 4 comb gauge

Figure 1 — Example of a comb gauge

4.2.4.2 Procedure

Ensure that the teeth are clean and not worn out or damaged. Place the comb gauge onto the flat specimen surface such that the teeth are normal to the plane of the surface. Allow sufficient time for the coating to wet the teeth prior to removing the gauge.

In the case of specimens curved in a single plane, the comb gauge shall be placed in position parallel to the axis of curvature.

The thickness shall be measured directly after application since the result will be influenced, for example, by physical drying, curing or solvent loss.

Take the greatest gap reading of the tooth wetted by the coating material as the wet-film thickness.

4.2.5 Method 1B — Wheel gauge

4.2.5.1 Description of instrument

A wheel gauge consists of a wheel, made of hardened and corrosion-resistant steel, with three projecting rims (see [Figure 2](#)).

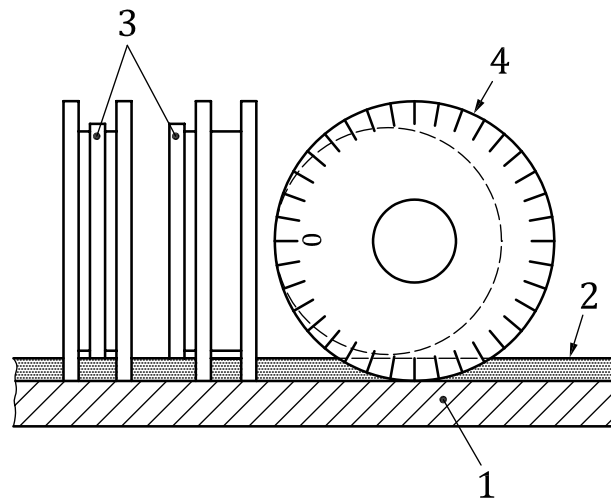
Two rims are ground to the same diameter and are configured concentrically to the wheel axle. The third rim has a smaller diameter and is eccentrically ground. One of the outer rims has a scale from which the respective protrusion of the concentric rims relative to the eccentric rim can be read.

Two versions are available:

- version 1 has the eccentric rim located between the concentric rims;
- version 2 has the eccentric rim located systematically outside the concentric rims and closely adjacent to one of them.

NOTE Unlike version 1, the design of version 2 allows parallax-free reading of the wet-film thickness.

With commercially available wheel gauges, the maximum thickness which can be measured is typically 1 500 μm and the smallest increment is typically 2 μm .



Key

- 1 substrate
- 2 coating
- 3 eccentric rim
- 4 wheel gauge

Figure 2 — Example of a wheel gauge

4.2.5.2 Procedure

Grip the wheel gauge with the thumb and index finger by the wheel axle and press the concentric rims onto the surface at the point of the largest reading on the scale.

In the case of specimens curved in a single plane, the axis of curvature and the wheel gauge axle shall be parallel.

Roll the wheel gauge in one direction, lift it from the surface and read off the highest scale reading at which the eccentric rim is still wetted by the coating material. Clean the gauge and repeat in the other direction.

Calculate the wet-film thickness as the arithmetic mean of these readings.

The thickness shall be measured directly after application since the result will be influenced, for example, by physical drying, curing or solvent loss.

To minimize the effect of surface tension on the result, observe how the paint wets the eccentric rim and record the scale reading at the first point of contact. This is only possible with version 2 of the wheel gauge.

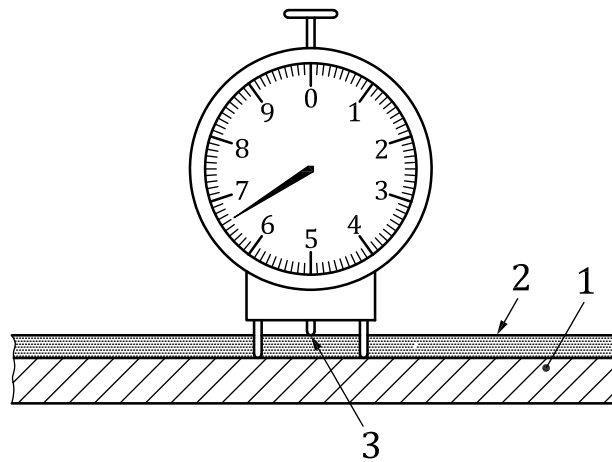
4.2.6 Method 1C — Dial gauge

4.2.6.1 Instrument and reference materials (reference standard)

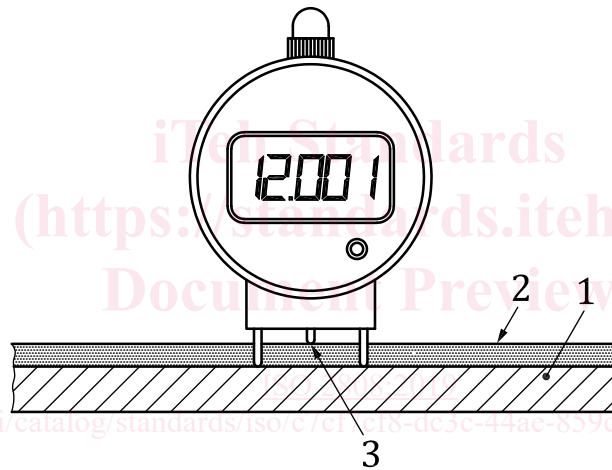
4.2.6.1.1 Dial gauge [see Figure 3 a) and b)]

Analogue dial gauges conforming to the requirements of ISO 463 and digital dial gauges are typically capable of measuring to an accuracy of 5 μm (analogue dial gauge) or 1 μm (digital dial gauge), or better. The gauge can have an analogue or digital display.

The underside of the dial gauge has two contact pins of equal length located equidistant from the movable plunger and in a straight line with it. An adjusting screw is used to make careful adjustments to the position of the plunger in its guideway.



a) Example of an analogue dial gauge



b) Example of a digital dial gauge

Key

- 1 substrate
- 2 coating
- 3 plunger

Figure 3 — Examples of an analogue and a digital dial gauge

4.2.6.1.2 Reference material for zeroing the gauge

A flat reference plate is required for zeroing the gauge. The reference plate shall be a polished glass plate.

4.2.6.2 Procedure

Zero the dial gauge on the reference plate with the measuring tip adjusted so that it is just touching the plate.

Screw the plunger back from the zeroing position.