
INTERNATIONAL STANDARD



2326

INTERNATIONAL ORGANIZATION FOR STANDARDIZATION • МЕЖДУНАРОДНАЯ ОРГАНИЗАЦИЯ ПО СТАНДАРТИЗАЦИИ • ORGANISATION INTERNATIONALE DE NORMALISATION

Continuous mechanical handling equipment for loose bulk materials – Aeroslides

iTeh STANDARD PREVIEW

First edition – 1972-05-01

(standards.iteh.ai)

[ISO 2326:1972](#)

<https://standards.iteh.ai/catalog/standards/sist/59245653-a03f-44ed-a6de-c153115116f0/iso-2326-1972>

UDC 621.867.56

Ref. No. ISO 2326-1972 (E)

Descriptors : materials handling equipment, bulk handling, aeroslides.

Price based on 1 page

FOREWORD

ISO (the International Organization for Standardization) is a worldwide federation of national standards institutes (ISO Member Bodies). The work of developing International Standards is carried out through ISO Technical Committees. Every Member Body interested in a subject for which a Technical Committee has been set up has the right to be represented on that Committee. International organizations, governmental and non-governmental, in liaison with ISO, also take part in the work.

Draft International Standards adopted by the Technical Committees are circulated to the Member Bodies for approval before their acceptance as International Standards by the ISO Council.

International Standard ISO 2326 was drawn up by Technical Committee ISO/TC 101, *Continuous mechanical handling equipment*.

It was approved in October 1971 by the Member Bodies of the following countries :

Belgium	Italy	Spain
Czechoslovakia	Japan	Sweden
Egypt, Arab Rep. of	Korea, Rep. of	Thailand
Finland	Netherlands	Turkey
France	New Zealand	United Kingdom
Germany	Romania	
India	South Africa, Rep. of	

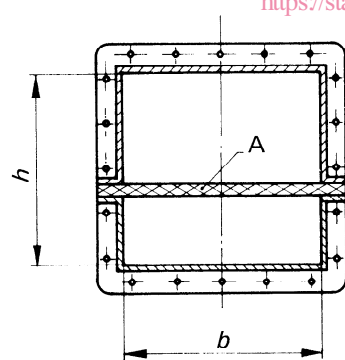
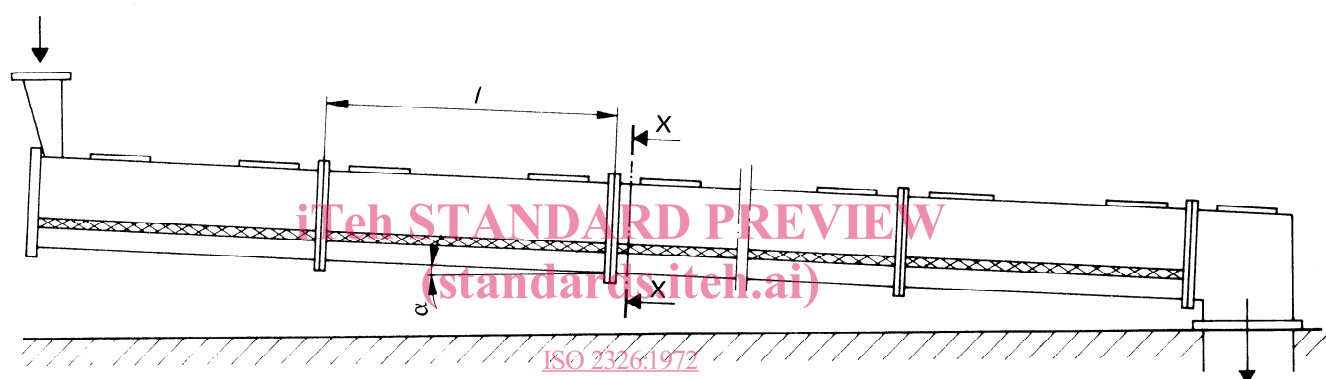
No Member Body expressed disapproval of the document.

Continuous mechanical handling equipment for loose bulk materials – Aeroslides

1 SCOPE AND FIELD OF APPLICATION

This International Standard specifies the characteristics and dimensions of aeroslides for loose bulk materials.

2 CHARACTERISTICS AND DIMENSIONS



Section X – X

ISO 2326:1972
<https://standards.iteh.ai/catalog/standards/sist/59245653-a03f-44ed-a6de-c153115116f0/iso-2326-1972>

A = Gas permeable intermediate porous element, manufactured in material such as the following, given as examples.

- 1) fabric
- 2) ceramic
- 3) sintered metal
- 4) compressed material
- 5) synthetic material

2.1 Length l , in millimetres

l	1 000	1 250	1 500	2 000	2 500	3 000	4 000	5 000
-----	-------	-------	-------	-------	-------	-------	-------	-------

2.2 Width b , in millimetres

b	125	160	200	250	315	400	500	630
-----	-----	-----	-----	-----	-----	-----	-----	-----

2.3 Height h , in millimetres

h	125	160	200	250	315	400	500	630
-----	-----	-----	-----	-----	-----	-----	-----	-----

2.4 Inclination α

Inclination α shall be determined as a function of the grain size and specific gravity of the material carried.

iTeh STANDARD PREVIEW
(standards.iteh.ai)

This page intentionally left blank

[ISO 2326:1972](#)

<https://standards.iteh.ai/catalog/standards/sist/59245653-a03f-44ed-a6de-c153115116f0/iso-2326-1972>