

---

# International Standard



# 2332

---

INTERNATIONAL ORGANIZATION FOR STANDARDIZATION • МЕЖДУНАРОДНАЯ ОРГАНИЗАЦИЯ ПО СТАНДАРТИЗАЦИИ • ORGANISATION INTERNATIONALE DE NORMALISATION

---

## **Agricultural tractors and machinery — Connections — Clearance zone for the three-point linkage of implements**

*Tracteurs et matériels agricoles — Liaisons — Zone de dégagement pour les attelages trois points des instruments*

First edition — 1983-12-01

**iTeh STANDARD PREVIEW**  
**(standards.iteh.ai)**

[ISO 2332:1983](#)

<https://standards.iteh.ai/catalog/standards/sist/a6e2c0c1-caf7-49c1-a4db-45112deaf333/iso-2332-1983>

---

**UDC 631.372 : 629.11.013**

**Ref. No. ISO 2332-1983 (E)**

**Descriptors :** agricultural machinery, tractors, junctions, clearance zones, dimensions.

Price based on 3 pages

## Foreword

ISO (the International Organization for Standardization) is a worldwide federation of national standards bodies (ISO member bodies). The work of developing International Standards is carried out through ISO technical committees. Every member body interested in a subject for which a technical committee has been authorized has the right to be represented on that committee. International organizations, governmental and non-governmental, in liaison with ISO, also take part in the work.

Draft International Standards adopted by the technical committees are circulated to the member bodies for approval before their acceptance as International Standards by the ISO Council.

International Standard ISO 2332 was developed by Technical Committee ISO/TC 23, *Tractors and machinery for agriculture and forestry*, and was circulated to the member bodies in August 1982.

It has been approved by the member bodies of the following countries:

Australia	India	South Africa, Rep. of
Austria	Iran	Spain
Belgium	Iraq	Sweden
China	Italy	Switzerland
Czechoslovakia	Korea, Dem. P. Rep. of	Turkey
Denmark	New Zealand	United Kingdom
Egypt, Arab Rep. of	Poland	USSR
Finland	Portugal	
Germany, F. R.	Romania	

The member bodies of the following countries expressed disapproval of the document on technical grounds:

Canada  
France  
USA

# Agricultural tractors and machinery – Connections – Clearance zone for the three-point linkage of implements

## 1 Scope and field of application

This International Standard specifies the zone of clearance to be maintained on implements to allow their attachment to the three-point linkage of wheeled agricultural tractors.

This International Standard applies to the connection of agricultural implements to three-point linkages complying with ISO 730/1. It also applies where implement couplers are used.

## 2 Reference

ISO 730/1, *Agricultural wheeled tractors – Three-point linkage – Part 1: Categories 1, 2 and 3.*

## 3 Definition

**implement coupler**: Device which facilitates the connection of the tractor three-point linkage to the implement.

## 4 Specifications

The shape and dimensions of the clearance zone shall be as shown in figures 1 and 2 and the table.

Table – Dimensions of clearance zone

Dimensions in millimetres

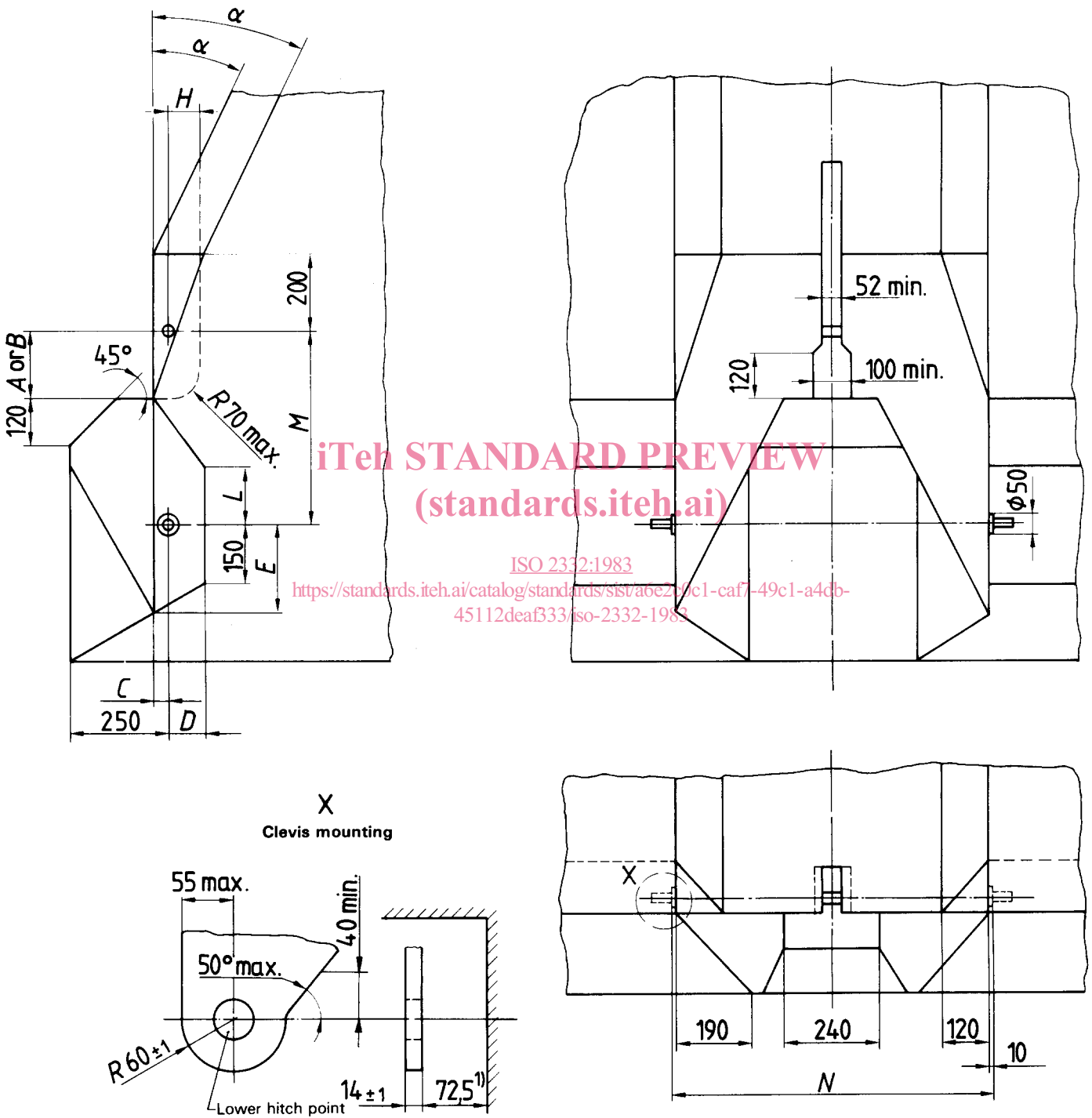
Symbol	Dimensional characteristics	Category 1		Category 2		Category 3	
		min.	max.	min.	max.	min.	max.
<i>A</i> <sup>1)</sup>	Upper hitch pin, vertical clearance	310	—	360	—	360	—
<i>B</i>	Upper hitch pin, vertical clearance	160	—	180	—	200	—
<i>C</i>	Hitch pin, horizontal position	—	35	—	35	—	40
<i>D</i>	Lower hitch pin, horizontal clearance	95	—	95	—	105	—
<i>E</i>	Lower hitch pin, vertical position	230	—	230	—	245	—
<i>H</i>	Upper hitch pin, horizontal clearance	80	—	80	—	90	—
<i>L</i>	Lower hitch pin, vertical position	—	150	—	150	—	200
<i>M</i> <sup>2), 3)</sup>	Mast height	460	—	510	—	560	—
<i>N</i> <sup>2), 3)</sup>	Lower hitch point span	681,5	684,5	823,5	826,5	963,5	966,5
$\alpha$ <sup>4)</sup>	Angle of front contour	25° min. for implements complying with ISO 730/1; mast vertical in down position					

1) *A* applies where it is necessary to accommodate the upper hook to the coupler, as is frequently the case in North America.

2) It may be necessary to vary this dimension in the case of specialized implements.

3) Dimensions *M* and *N* correspond to those of ISO 730/1.

4) Angle  $\alpha$  may be reduced to 5° min. for specialized implements where the angle of the mast must not extend forward of vertical in the raised position.



1) This dimension is included in order to accommodate certain implement couplers. Otherwise this dimension could be reduced to 55 mm.

Figure 1 – Clearance zone (views of details)

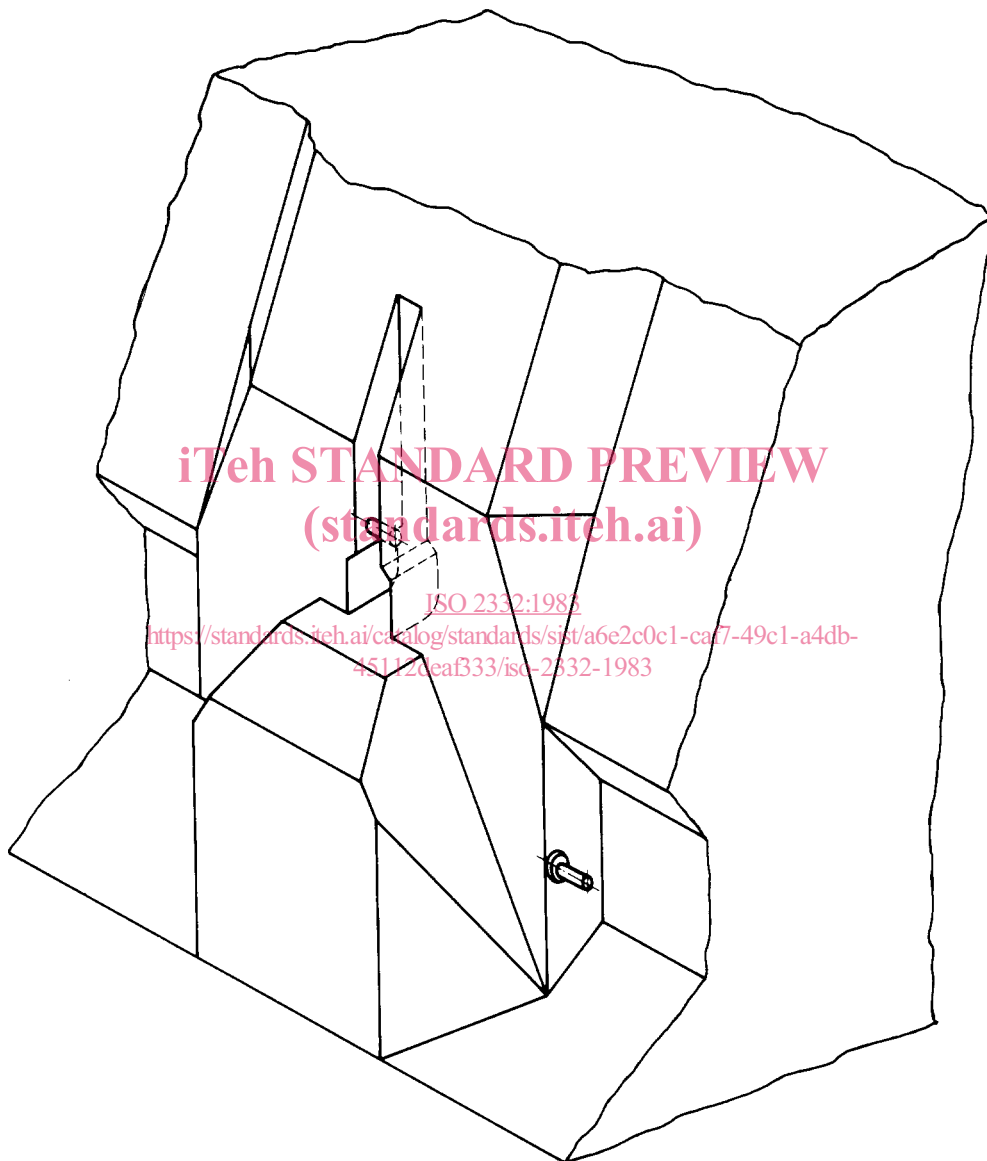


Figure 2 — Clearance zone (perspective view)

**iTeh STANDARD PREVIEW**  
**(standards.iteh.ai)**

ISO 2332:1983

<https://standards.iteh.ai/catalog/standards/sist/a6e2c0c1-caf7-49c1-a4db-45112deaf333/iso-2332-1983>

**iTeh STANDARD PREVIEW**  
**(standards.iteh.ai)**

[ISO 2332:1983](#)

<https://standards.iteh.ai/catalog/standards/sist/a6e2c0c1-caf7-49c1-a4db-45112deaf333/iso-2332-1983>

**iTeh STANDARD PREVIEW**  
**(standards.iteh.ai)**

ISO 2332:1983

<https://standards.iteh.ai/catalog/standards/sist/a6e2c0c1-caf7-49c1-a4db-45112deaf333/iso-2332-1983>