

---

---

**Alpine skis and bindings — Binding  
mounting area — Requirements and  
test methods**

*Skis et fixations de skis alpins — Zone de montage de la fixation —  
Exigences de tenue et méthodes d'essai*

**iTeh STANDARD PREVIEW**  
**(standards.iteh.ai)**

[ISO 8364:2017](https://standards.iteh.ai/catalog/standards/sist/7b3054c2-765e-4e15-bcdd-85b82a4024f7/iso-8364-2017)

<https://standards.iteh.ai/catalog/standards/sist/7b3054c2-765e-4e15-bcdd-85b82a4024f7/iso-8364-2017>



**iTeh STANDARD PREVIEW**  
**(standards.iteh.ai)**

ISO 8364:2017

<https://standards.iteh.ai/catalog/standards/sist/7b3054c2-765e-4e15-bcdd-85b82a4024f7/iso-8364-2017>



**COPYRIGHT PROTECTED DOCUMENT**

© ISO 2017, Published in Switzerland

All rights reserved. Unless otherwise specified, no part of this publication may be reproduced or utilized otherwise in any form or by any means, electronic or mechanical, including photocopying, or posting on the internet or an intranet, without prior written permission. Permission can be requested from either ISO at the address below or ISO's member body in the country of the requester.

ISO copyright office  
Ch. de Blandonnet 8 • CP 401  
CH-1214 Vernier, Geneva, Switzerland  
Tel. +41 22 749 01 11  
Fax +41 22 749 09 47  
[copyright@iso.org](mailto:copyright@iso.org)  
[www.iso.org](http://www.iso.org)

# Contents

Page

Foreword.....	iv
<b>1 Scope.....</b>	<b>1</b>
<b>2 Normative references.....</b>	<b>1</b>
<b>3 Terms and definitions.....</b>	<b>1</b>
<b>4 Specifications of free space area.....</b>	<b>2</b>
4.1 Length of free space area ( $l_z$ ).....	2
4.2 Width of the free space area ( $b_z$ ).....	2
<b>5 Geometrical requirements of free space area.....</b>	<b>3</b>
5.1 Longitudinal profile of the ski surface within the free space area.....	3
5.2 Transverse profile of the ski surface within the free space area.....	3
<b>6 Specifications of binding mounting area.....</b>	<b>4</b>
6.1 Length of binding mounting area ( $l_b$ ).....	4
6.2 Width of binding mounting area.....	4
6.3 Minimum thickness of binding mounting area.....	4
<b>7 Strength requirements of binding mounting area.....</b>	<b>5</b>
7.1 Screw retention strength ( $F_r$ ).....	5
7.2 Stripping resistance ( $F_s$ ).....	5
<b>8 Specifications of the binding.....</b>	<b>5</b>
8.1 General.....	5
8.2 Centre-to-centre distances for binding mounting screws.....	5
8.2.1 Maximum centre-to-centre distance.....	5
8.2.2 Minimum centre-to-centre distance.....	6
8.3 Penetration depth of binding screws.....	6
<b>9 Side walls.....</b>	<b>6</b>
<b>10 Marking.....</b>	<b>6</b>
10.1 Marking of the mounting point.....	6
10.2 Marking of the ski properties.....	6
<b>11 Apparatus.....</b>	<b>6</b>
<b>12 Test screws.....</b>	<b>8</b>
<b>13 Test methods.....</b>	<b>8</b>
13.1 Sampling and conditioning.....	8
13.2 General requirements.....	8
13.3 Retention strength test.....	9
13.3.1 Mounting of the attachment plate.....	9
13.3.2 Positioning of the pull-out tests within the binding mounting area.....	10
13.3.3 Load application.....	11
13.4 Stripping resistance test.....	11
<b>14 Test report.....</b>	<b>11</b>
<b>Annex A (informative) Synoptic tables.....</b>	<b>13</b>

## Foreword

ISO (the International Organization for Standardization) is a worldwide federation of national standards bodies (ISO member bodies). The work of preparing International Standards is normally carried out through ISO technical committees. Each member body interested in a subject for which a technical committee has been established has the right to be represented on that committee. International organizations, governmental and non-governmental, in liaison with ISO, also take part in the work. ISO collaborates closely with the International Electrotechnical Commission (IEC) on all matters of electrotechnical standardization.

The procedures used to develop this document and those intended for its further maintenance are described in the ISO/IEC Directives, Part 1. In particular the different approval criteria needed for the different types of ISO documents should be noted. This document was drafted in accordance with the editorial rules of the ISO/IEC Directives, Part 2 (see [www.iso.org/directives](http://www.iso.org/directives)).

Attention is drawn to the possibility that some of the elements of this document may be the subject of patent rights. ISO shall not be held responsible for identifying any or all such patent rights. Details of any patent rights identified during the development of the document will be in the Introduction and/or on the ISO list of patent declarations received (see [www.iso.org/patents](http://www.iso.org/patents)).

Any trade name used in this document is information given for the convenience of users and does not constitute an endorsement.

For an explanation on the voluntary nature of standards, the meaning of ISO specific terms and expressions related to conformity assessment, as well as information about ISO's adherence to the World Trade Organization (WTO) principles in the Technical Barriers to Trade (TBT) see the following URL: [www.iso.org/iso/foreword.html](http://www.iso.org/iso/foreword.html). (standards.iteh.ai)

This document was prepared by Technical Committee ISO/TC 83, *Sports and other recreational facilities and equipment*, Subcommittee SC 04, *Snowsports equipment*.

This fifth edition cancels and replaces the fourth edition (ISO 8364:2007), which has been technically revised.

# Alpine skis and bindings — Binding mounting area — Requirements and test methods

## 1 Scope

This document specifies requirements and test methods for the binding mounting area and free space area, ski bindings and retention devices of alpine skis, in order to optimize the compatibility of the functional unit “ski binding — retention device — boot”.

It contains data for the manufacturer of alpine skis, bindings and retention devices, concerning dimensions, tests and other specifications for the binding mounting area.

## 2 Normative references

The following documents are referred to in the text in such a way that some or all of their content constitutes requirements of this document. For dated references, only the edition cited applies. For undated references, the latest edition of the referenced document (including any amendments) applies.

ISO 4287, *Geometrical Product Specifications (GPS) — Surface texture: Profile method — Terms, definitions and surface texture parameters*

ISO 5355, *Alpine ski-boots — Requirements and test methods*

ISO 6004, *Alpine skis — Ski binding screws — Requirements*

ISO 6289, *Skis — Vocabulary*

ISO 6506 (all parts), *Metallic materials — Brinell hardness test*

ISO 10045, *Alpine skis — Binding mounting area — Requirements for test screws*

## 3 Terms and definitions

For the purposes of this document, the terms and definitions given in ISO 6289 and the following apply.

ISO and IEC maintain terminological databases for use in standardization at the following addresses:

- IEC Electropedia: available at <http://www.electropedia.org/>
- ISO Online browsing platform: available at <https://www.iso.org/obp>

### 3.1 mounting point

location on the ski that indicates the position of the boot along the length of the ski for the purpose of mounting the binding, and which corresponds to the boot sole mark established by ISO 5355 for alpine ski-boots

### 3.2 free space area

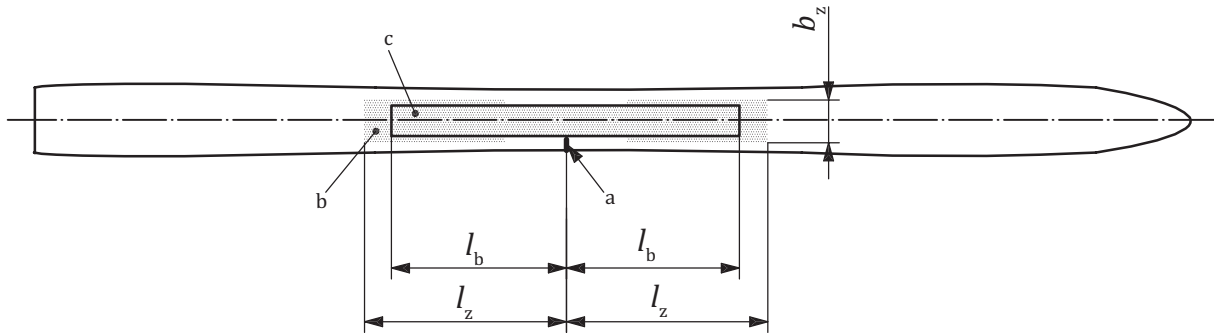
area forward and backward from the mounting point, fulfilling minimum flatness requirements in accordance with [Clause 5](#)

Note 1 to entry: See [Figure 1](#).

**3.3 binding mounting area**

area forward and backward from the mounting point, fulfilling minimum strength requirements in accordance with [Clause 7](#)

Note 1 to entry: See [Figure 1](#).



**Key**

- $l_b$  length of binding mounting area
- $l_z$  length of free space area
- $b_z$  width of the free space area
- a Mounting point.
- b Free space area.
- c Binding mounting area (width in accordance with [6.2](#)).

iTeh STANDARD PREVIEW  
(standards.iteh.ai)

**Figure 1 — Free space and binding mounting areas**

<https://standards.iteh.ai/catalog/standards/sist/7b3054c2-765e-4e15-bcdd-85b82a4024f7/iso-8364-2017>

**4 Specifications of free space area**

**4.1 Length of free space area ( $l_z$ )**

The length of the free space area forward and backward from the mounting point shall be according to the values given in [Table 1](#).

**Table 1 — Length of free space area**

Group	Length of free space area forward and backward from the mounting point
	mm
1	300
2	270
3	210
4	190

**4.2 Width of the free space area ( $b_z$ )**

The minimum width of the free space area shall be as follows.

- For Groups 1, 2 and 3:
  - 48 mm within an area 100 mm forward and 100 mm backward from the mounting point;

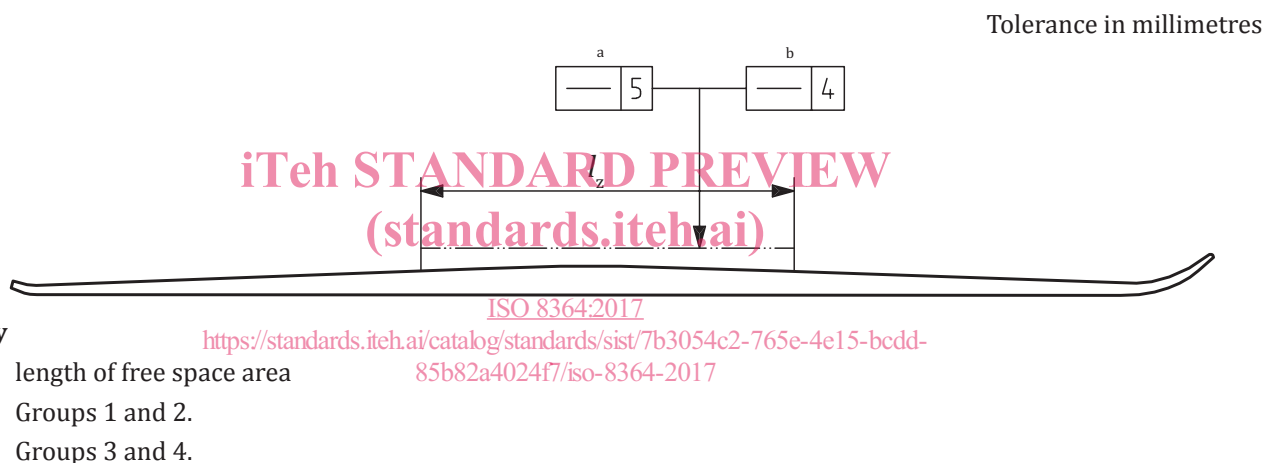
- 53 mm in the remaining part of the free space area.
- For Group 4:
  - 46 mm within an area 100 mm forward and 100 mm backward from the mounting point;
  - 50 mm in the remaining part of the free space area.

## 5 Geometrical requirements of free space area

### 5.1 Longitudinal profile of the ski surface within the free space area

Deviations from the straightness of the longitudinal profile from a flat profile are only permissible in the form of a constant curve in the length of the free space area; the tolerance on straightness in this area, the ski base being pressed against a flat surface, is as follows (see [Figure 2](#)):

- Groups 1 and 2: 5 mm;
- Groups 3 and 4: 4 mm.

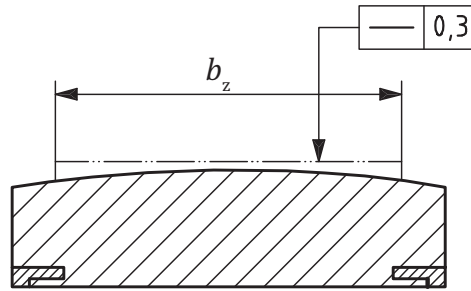


**Figure 2 — Longitudinal profile of the surface**

Outside the binding mounting area, within the length of the free space area, a maximum downward deviation of 2 mm from the constant curve is permissible.

### 5.2 Transverse profile of the ski surface within the free space area

Deviations of straightness of the transverse profile from the flat profile are only permissible in the form of a constant curve across the width of the free space area; the tolerance on straightness within this area is given in [Figure 3](#).



**Key**  
 $b_z$  width of free space area

**Figure 3 — Transverse profile of the structure**

Beyond the free space area, on the remaining width of the ski, there shall be no elevation beyond the surface of the free space area.

## 6 Specifications of binding mounting area

### 6.1 Length of binding mounting area ( $l_b$ )

The length of the binding mounting area forward and backward from the mounting point shall be in accordance with the values given in [Table 2](#).

**Table 2 — Length of binding mounting area**

Group	Length of binding mounting area forward and backward from the mounting point
	mm
1	285
2	240
3	210
4	190

### 6.2 Width of binding mounting area

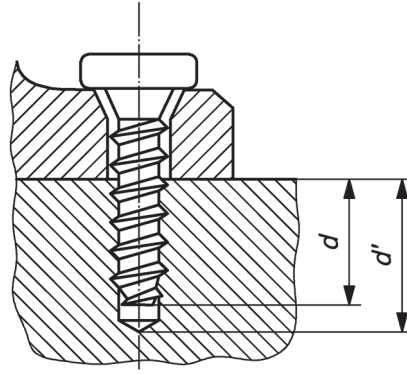
The width of the binding mounting area shall be such that it allows the mounting of alpine ski binding screws of nominal diameter 5,5 mm in accordance with ISO 6004, and respects the retention strength requirements in accordance with [7.1](#).

### 6.3 Minimum thickness of binding mounting area

Within the binding mounting area, a drill hole depth,  $d'$ , shall be available (see [Figure 4](#)) as follows:

- Groups 1 and 2: 9,5 mm;
- Groups 3 and 4: 7,5 mm.



**Key**

- $d'$  drill hole depth  
 $d$  penetration depth

**Figure 4 — Penetration depth,  $d$ , of mounting screws**

## 7 Strength requirements of binding mounting area

### 7.1 Screw retention strength ( $F_r$ )

Within the binding mounting area, the minimum value of the screw retention strength for two screws, if the load is applied at  $\leq 20$  mm/min, shall be as follows:

- Group 1 and Group 2: 2 600 N;
- Group 3: 1 600 N;
- Group 4: 1 300 N.

### 7.2 Stripping resistance ( $F_s$ )

The minimum value of the stripping resistance of the ski shall be 5 Nm for Groups 1 and 2.

**NOTE** The present state of the art does not allow a stripping resistance of 5 Nm for skis of Groups 3 and 4. It is the responsibility of the ski manufacturer to indicate ski models where caution is required (stripping resistance lower than 5 Nm) when mounting bindings, and to give mounting instructions, such as smaller diameter drilling and manual screwdriving.

## 8 Specifications of the binding

### 8.1 General

The hole-pattern shall be in accordance with the geometrical requirements according to [8.2](#).

### 8.2 Centre-to-centre distances for binding mounting screws

#### 8.2.1 Maximum centre-to-centre distance

The maximum centre-to-centre distance in transverse orientation of the binding mounting screws shall be as follows:

- Groups 1 and 2: 42,5 mm;