
INTERNATIONAL STANDARD



2358

INTERNATIONAL ORGANIZATION FOR STANDARDIZATION • МЕЖДУНАРОДНАЯ ОРГАНИЗАЦИЯ ПО СТАНДАРТИЗАЦИИ • ORGANISATION INTERNATIONALE DE NORMALISATION

Prevailing torque-type steel hexagon locknuts —
Dimensions — Metric series

First edition — 1972-10-01

ITeH STANDARD PREVIEW
(standards.iteh.ai)

[ISO 2358:1972](#)

<https://standards.iteh.ai/catalog/standards/sist/617f7ba4-a5ea-47d9-9b0b-7fb822ce33eb/iso-2358-1972>

UDC 621.882.31 ^{.082.1} 621.882.55 ~~181~~ -181

Ref. No. ISO 2358-1972 (E)

Descriptors : hexagonal nuts, self locking nuts, dimensions.

Price based on 1 page

FOREWORD

ISO (the International Organization for Standardization) is a worldwide federation of national standards institutes (ISO Member Bodies). The work of developing International Standards is carried out through ISO Technical Committees. Every Member Body interested in a subject for which a Technical Committee has been set up has the right to be represented on that Committee. International organizations, governmental and non-governmental, in liaison with ISO, also take part in the work.

Draft International Standards adopted by the Technical Committees are circulated to the Member Bodies for approval before their acceptance as International Standards by the ISO Council.

International Standard ISO 2358 was drawn up by Technical Committee ISO/TC 2, *Bolts, nuts and accessories*.

It was approved in August 1971 by the Member Bodies of the following countries :

Austria	Ireland	South Africa, Rep. of
Belgium	Italy	Spain
Canada	Japan	Sweden
Czechoslovakia	Netherlands	Switzerland
Egypt, Arab Rep. of	New Zealand	Thailand
Finland	Norway	Turkey
Germany	Poland	United Kingdom
Hungary	Portugal	U.S.S.R.
India	Romania	

The Member Body of the following country expressed disapproval of the document on technical grounds :

France

Prevailing torque-type steel hexagon locknuts – Dimensions – Metric series

1 SCOPE AND FIELD OF APPLICATION

This International Standard specifies the dimensions of prevailing torque-type steel hexagon locknuts, metric series.

It also specifies two types (A and B) with different total heights.

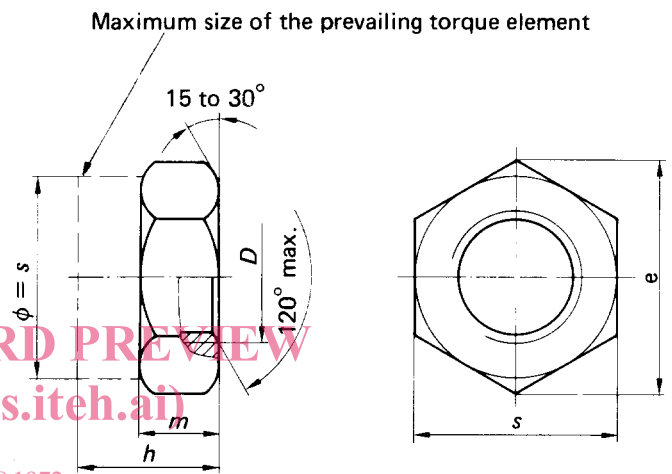
For the threads, refer to ISO/R 262, *ISO General purpose metric screw threads – Selected sizes for screws, bolts and nuts*.

For the tolerances on widths across flats and widths across corners refer to ISO/R 733, *Hexagon bolts and nuts – Metric series – Tolerances on widths across flats – Widths across corners*.

For the mechanical properties and performance requirements, refer to ISO 2320, *Prevailing torque-type steel hexagon locknuts – Mechanical and performance properties*.

For the thread tolerances, refer to ISO/R 965/II, *ISO General purpose metric screw threads – Tolerances – Limits of sizes for commercial bolt and nut threads – Medium quality*.

2 DIMENSIONS



Effective length (engaged) of thread $\geq 0.6 D$

Dimensions in millimetres

D	h max.		e min.	m min.	s
	Type A	Type B			
3	3,6	4,5	6,08	1,8	5,5
4	4,8	6	7,74	2,4	7
5	6	7,5	8,87	3	8
6	6,6	7,8	11,05	3,6	10
(7)	7,7	9,1	12,12	4,2	11
8	8,8	10,4	14,38	4,8	13
10	11	13	18,90	6	17
12	13,2	15,6	21,10	7,2	19
(14)	15,4	18,2	24,49	8,4	22
16	17,6	20,8	26,75	9,6	24
(18)	19,8	23,4	30,14	10,8	27
20	22	26	33,53	12	30
(22)	24,2	28,6	35,72	13,2	32
24	26,4	31,2	39,98	14,4	36
(27)	27	32,4	45,63	16,2	41
30	30	36	51,28	18	46
(33)	33	39,6	55,80	19,8	50
36	36	43,2	61,36	21,6	55
(39)	39	46,8	66,96	23,4	60

The values in parentheses should be avoided if possible.

Minimum diameters of bearing areas for nuts are in preparation.

iTeh STANDARD PREVIEW
(standards.iteh.ai)

ISO 2358:1972

<https://standards.iteh.ai/catalog/standards/sist/617f7ba4-a5ea-47d9-9b0b-7fb822ce33eb/iso-2358-1972>