



Designation: D4310 – 09

# Standard Test Method for Determination of Sludging and Corrosion Tendencies of Inhibited Mineral Oils<sup>1</sup>

This standard is issued under the fixed designation D4310; the number immediately following the designation indicates the year of original adoption or, in the case of revision, the year of last revision. A number in parentheses indicates the year of last reapproval. A superscript epsilon ( $\epsilon$ ) indicates an editorial change since the last revision or reapproval.

## 1. Scope\*

1.1 This test method covers and is used to evaluate the tendency of inhibited mineral oil based steam turbine lubricants and mineral oil based anti-wear hydraulic oils to corrode copper catalyst metal and to form sludge during oxidation in the presence of oxygen, water, and copper and iron metals at an elevated temperature. The test method is also used for testing circulating oils having a specific gravity less than that of water and containing rust and oxidation inhibitors.

NOTE 1—During round robin testing copper and iron in the oil, water and sludge phases were measured. However, the values for the total iron were found to be so low (that is, below 0.8 mg), that statistical analysis was inappropriate. The results of the cooperative test program are available (see Section 16).

1.2 This test method is a modification of Test Method D943 where the oxidation stability of the same kinds of oils is determined by following the acid number of oil. The number of test hours required for the oil to reach an acid number of 2.0 mg KOH/g is the *oxidation lifetime*.

1.3 Procedure A of this test method requires the determination and report of the weight of the sludge and the total amount of copper in the oil, water, and sludge phases. Procedure B requires the sludge determination only. The acid number determination is optional for both procedures.

1.4 The values stated in SI units are to be regarded as standard. No other units of measurement are included in this standard.

1.5 *This standard does not purport to address all of the safety concerns, if any, associated with its use. It is the responsibility of the user of this standard to establish appropriate safety and health practices and determine the applicability of regulatory limitations prior to use. For specific warning statements, see Section 7 and X1.1.5.*

<sup>1</sup> This test method is under the jurisdiction of ASTM Committee D02 on Petroleum Products and Lubricants and is the direct responsibility of Subcommittee D02.09.0C on Oxidation of Turbine Oils.

Current edition approved Oct. 1, 2009. Published November 2009. Originally approved in 1983. Last previous edition approved in 2006 as D4310-06b. DOI: 10.1520/D4310-09.

## 2. Referenced Documents

2.1 *ASTM Standards*:<sup>2</sup>

A510 Specification for General Requirements for Wire Rods and Coarse Round Wire, Carbon Steel

B1 Specification for Hard-Drawn Copper Wire

D664 Test Method for Acid Number of Petroleum Products by Potentiometric Titration

D874 Test Method for Sulfated Ash from Lubricating Oils and Additives

D943 Test Method for Oxidation Characteristics of Inhibited Mineral Oils

D1193 Specification for Reagent Water

D3339 Test Method for Acid Number of Petroleum Products by Semi-Micro Color Indicator Titration

D4057 Practice for Manual Sampling of Petroleum and Petroleum Products

E1 Specification for ASTM Liquid-in-Glass Thermometers

2.2 *Energy Institute Standard*:<sup>3</sup>  
Specification for IP Standard Thermometers

2.3 *British Standard*:<sup>4</sup>

BS 1829 Reference Tables for Iron v. Constantan Thermocouples

## 3. Terminology

3.1 *Definitions*:

3.1.1 *sludge*—a precipitate or sediment from oxidized mineral oil and water.

## 4. Summary of Test Method

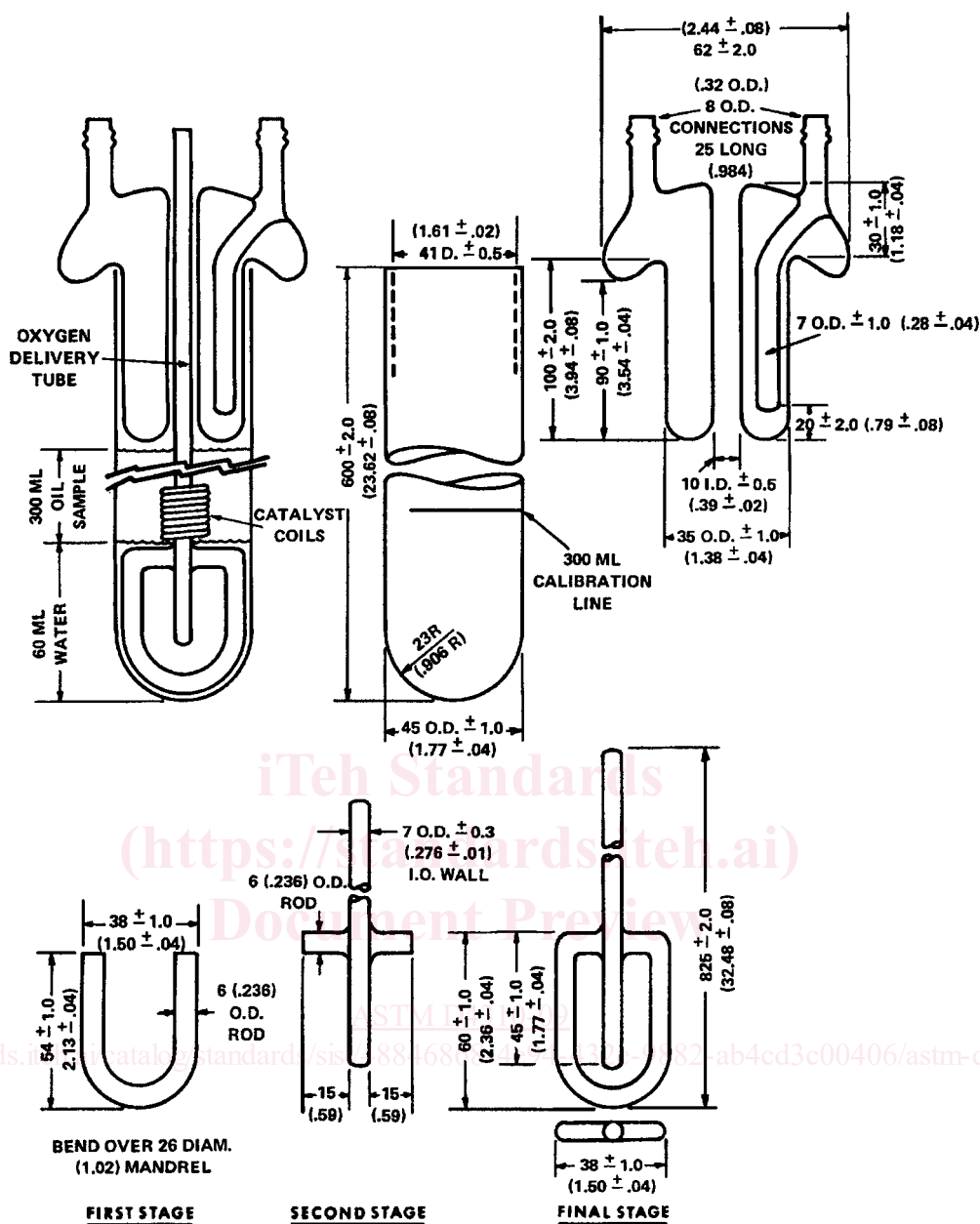
4.1 An oil sample is contacted with oxygen in the presence of water and an iron-copper catalyst at 95°C for 1000 h. The weight of insoluble material is determined gravimetrically by

<sup>2</sup> For referenced ASTM standards, visit the ASTM website, www.astm.org, or contact ASTM Customer Service at service@astm.org. For *Annual Book of ASTM Standards* volume information, refer to the standard's Document Summary page on the ASTM website.

<sup>3</sup> Available from Energy Institute, 61 New Cavendish St., London W1M, 8AR, England.

<sup>4</sup> Available from British Standards Institute (BSI), 389 Chiswick High Rd., London W4 4AL, U.K.

\*A Summary of Changes section appears at the end of this standard.



All dimensions are in millimetres (inches)

NOTE 1—The oxidation test tube has a calibration line at 300 mL. This calibration applies to the test tube alone at 20°C.

NOTE 2—Open tube ends to be ground and fire-polished.

FIG. 1 Oxidation Cell

filtration of the oxidation tube contents through 5- $\mu\text{m}$  pore size filter disks. The total amount of copper in the oil, water, and sludge phases is also determined for Procedure A. Procedure B requires the sludge determination. The copper determination is not required. The acid number determination is optional for both procedures.

NOTE 2—Optionally, some operators may choose to: (1) assess the change in weight of the catalyst coil, or (2) determine the acid number at 1000 h, or both. The acid number may serve as a criterion to determine if measurement of insoluble material is warranted. Normally, further testing is not recommended on a highly oxidized oil (that is an oil which has

attained an acid number  $>2.0$  mg KOH/g). Instructions for these optional tests are not included in this test method.

## 5. Significance and Use

5.1 Insoluble material may form in oils that are subjected to oxidizing conditions.

5.2 Significant formation of oil insolubles or metal corrosion products, or both, during this test may indicate that the oil will form insolubles or corrode metals, or both, during field service. However, no correlation with field service has been established.

## 6. Apparatus

6.1 *Oxidation Cell*, of borosilicate glass, as shown in Fig. 1, consisting of a test tube, condenser, and oxygen delivery tube. The test tube has a calibration line at 300 mL (maximum error 1 mL). This calibration applies to the test tube without inserts at 20°C.

6.2 *Heating Bath: Liquid Bath or Metal Block*, thermostatically controlled, capable of maintaining the oil sample in the oxidation cell at a temperature of  $95 \pm 0.2^\circ\text{C}$ , fitted with a suitable stirring device to provide a uniform temperature throughout the bath, and large enough to hold the desired number of oxidation cells immersed in the heating bath to a depth of  $390 \pm 10$  mm and in the heating liquid itself to a depth of  $355 \pm 10$  mm.

6.2.1 Studies have suggested that direct sunlight or artificial light may adversely influence the results of this test.<sup>5</sup> To minimize effects of light exposure on the lubricant being tested, light shall be excluded from the lubricant by one or more of the following ways:

6.2.1.1 Use of heating liquid baths that are designed and constructed of metal, or combinations of metals and other suitable opaque materials, that prevent light from entering the test cell from the sides is preferred. If a *viewing window* is included in the design, this *viewing window* shall be fitted with a suitable opaque cover and be kept closed when no observation is being made.

6.2.1.2 If glass heating baths are used, the bath shall be wrapped with aluminum foil or other opaque material.

6.2.1.3 Bright light entering the test cell from directly overhead can be eliminated by use of an opaque shield.

6.3 *Flowmeter*, with a flow capacity of at least 3 L of oxygen/hour, and an accuracy of  $\pm 0.1$  L/h.

6.4 *Heating Bath Thermometer*—ASTM Solvents Distillation Thermometer having a range from 72 to 126°C and conforming to the requirements for Thermometer 40C as prescribed in Specification E1, or for Thermometer 70C as prescribed in Specifications for IP Standard Thermometers. Alternatively, temperature-measuring devices of equal or better accuracy may be used.

6.5 *Oxidation Cell Thermometer*,<sup>6,7</sup> having a range from 80 to 100°C, graduated in 0.1°C, total length—250 mm, stem diameter—6.0 to 7.0 mm, calibrated for 76-mm immersion. Temperature measuring devices such as liquid-in-glass thermometers, thermocouples, or platinum resistance thermometers that provide equivalent or better accuracy and precision that cover the temperature range, may be used.

6.6 *Wire Coiling Mandrel*, as shown in Fig. 2.

6.7 *Thermometer Bracket*, for holding the oxidation cell thermometer, of 18-8 stainless steel, having the dimensions shown in Fig. 3. The thermometer is held in the bracket by two

fluoro-elastomer O-rings of approximately 5-mm inside diameter. Alternatively, thin stainless steel wire may be used.

6.8 *Abrasive Cloth*, silicon carbide, 100-grit with cloth backing.

6.9 *Flexible Tubing*, poly vinyl chloride approximately 6.4-mm ( $\frac{1}{4}$ -in.) inside diameter with a  $\frac{3}{32}$ -in. wall for delivery of oxygen to the oxidation cell.

6.10 *Membrane Filters*,<sup>8</sup> white, plain, 47 or 90 mm in diameter, pore size 5  $\mu\text{m}$ .

6.11 *Filter Holder*,<sup>9</sup> 47 or 90 mm, consisting of a borosilicate glass funnel and a funnel base with a coarse grade (40 to 60- $\mu\text{m}$ ) fritted-glass filter support or stainless steel screen support such that the filter can be clamped between the ground-glass sealing surfaces of the funnel and its base by means of a metal clamp.

6.12 *Weighing Bottle*,<sup>10</sup> cylindrical body with ground-glass stopper; approximate inside diameter 45 mm, height of body 65 mm, capacity 60 mL.

6.13 *Vacuum Source*, to provide pressure reduction to  $13.3 \pm 0.7$  kPa ( $100 \pm 5$  mm Hg) absolute pressure.

6.14 *Cooling Vessel*—A desiccator or other type of tightly covered vessel for cooling the weighing vessels before weighing. The use of a drying agent is not recommended.

6.15 *Drying Oven*, capable of maintaining a temperature of  $105 \pm 2^\circ\text{C}$ .

6.16 *Forceps*, having unserrated tips.

6.17 *Syringe*, 50-mL Luer-Lok with 12-in. needle.

6.18 *Separatory Funnels*, with a capacity of 1000 mL.

6.19 *Rubber Policeman*.

6.20 *Pipette Bulb*.

6.21 *Syringe*, glass or plastic, with Luer-Lok locking connector, 10-mL capacity for sampling.

6.22 *Syringe Sampling Tube*, Grade 304 stainless steel tubing, 2.11 mm (0.083 in.) outside diameter, 1.60 mm (0.063 in.) inside diameter,  $559 \pm 2$  mm ( $24.0 \pm 0.08$  in.) long, with one end finished at 90° and the other end fitted with a Luer-Lok female connector.

## 7. Reagents and Materials

7.1 *Purity of Reagents*—Reagent grade chemicals shall be used in all tests. Unless otherwise indicated, it is intended that all reagents conform to the specifications of the Committee on Analytical Reagents of the American Chemical Society where such specifications are available.<sup>11</sup> Other grades may be used,

<sup>8</sup> The sole source of supply of the Millipore SM membrane filters (MF-type, cellulose esters) known to the committee at this time is Millipore Filter Corp., Bedford, MA.

<sup>9</sup> The sole source of supply of the Millipore Pyrex XX-10-047-00 or XX-10-047-30 filter holder known to the committee at this time is Millipore Filter Corp., Bedford, MA.

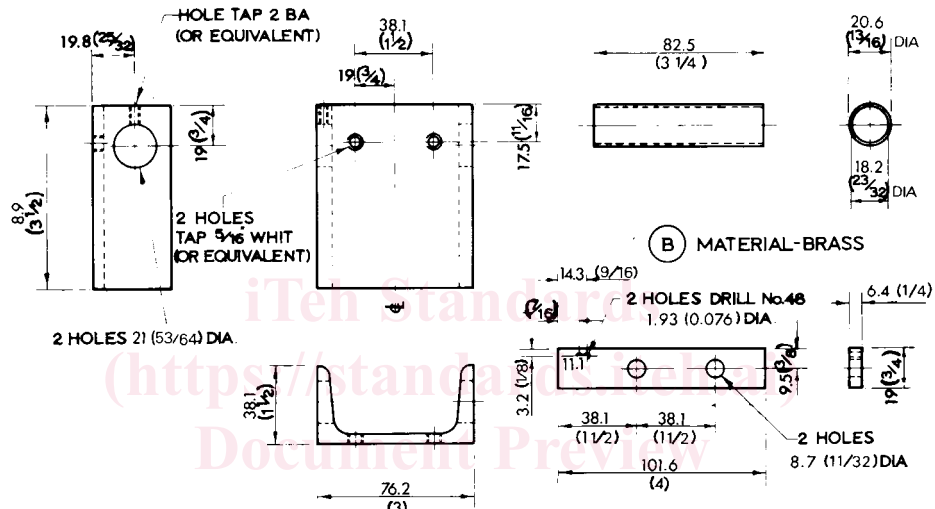
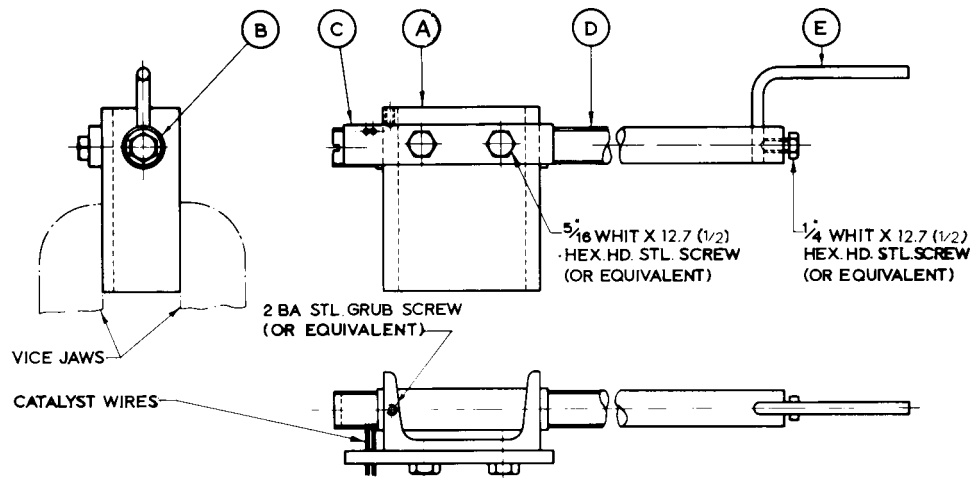
<sup>10</sup> The sole source of supply of the Fisher 3-415 weighing bottle, size G, known to the committee at this time is Fisher Scientific Co., Pittsburgh, PA.

<sup>11</sup> *Reagent Chemicals, American Chemical Society Specifications*, American Chemical Society, Washington, DC. For Suggestions on the testing of reagents not listed by the American Chemical Society, see *Annual Standards for Laboratory Chemicals*, BDH Ltd., Poole, Dorset, U.K., and the *United States Pharmacopeia and National Formulary*, U.S. Pharmacopeial Convention, Inc. (USPC), Rockville, MD.

<sup>5</sup> Supporting data (summary of the results of these studies) have been filed at ASTM International Headquarters and may be obtained by requesting Research Report D02-1365.

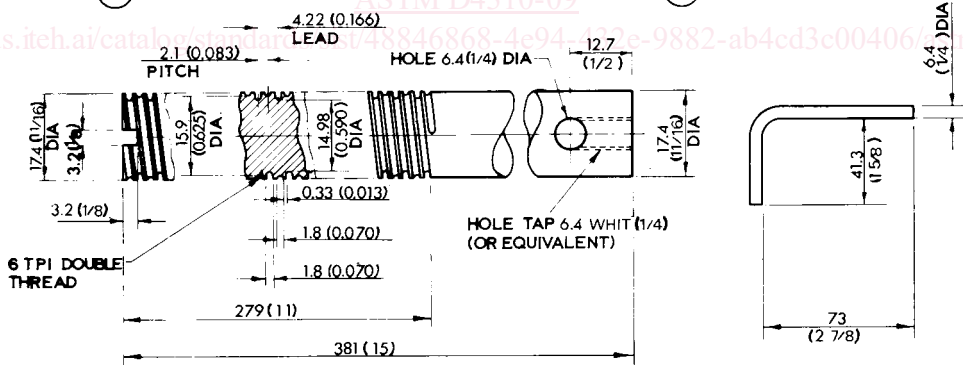
<sup>6</sup> The sole source of supply of the Brooklyn Thermometer No. 21276-RM known to the committee at this time is Brooklyn Thermometer Co., Farmingdale, NY.

<sup>7</sup> If you are aware of alternative suppliers, please provide this information to ASTM International Headquarters. Your comments will receive careful consideration at a meeting of the responsible technical committee,<sup>1</sup> which you may attend.



(A) MATERIAL-STEEL

(C) MATERIAL-BRONZE



(D) MATERIAL-BRONZE

(E) MATERIAL-STEEL

Dimensions are in millimetres (inches).

FIG. 2 Mandrel for Winding Catalyst Coils





7.8.2 *Electrolytic Copper Wire*, 1.63 mm (0.064 in.) in diameter (No. 16 Imperial Standard Wire Gage or No. 14 American Wire Gage), 99.9 % purity, conforming to Specification B1. Soft copper wire of an equivalent grade may also be used.

NOTE 4—Alternatively, suitably prepared catalyst coils may be purchased from a supplier.

7.9 *Detergent*, water-soluble.<sup>14</sup>

7.10 *Oxygen*—(**Warning**—Oxygen vigorously accelerates combustion) 99.5 % minimum purity, with pressure regulation adequate to maintain a constant flow of gas through the apparatus. The use of a two-stage pressure regulator on tank oxygen is recommended.

## 8. Sampling

8.1 Samples for this test can come from tanks, drums, small containers, or even operating equipment. Therefore, use the applicable apparatus and techniques described in Practice D4057.

8.2 For one single determination the minimum required sample size is 300 mL.

## 9. Preparation of Apparatus

9.1 *Cleaning Catalyst*—Immediately prior to winding a catalyst coil, clean a  $3.00 \pm 0.01$ -m length of iron wire and an equal length of copper wire with wads of absorbent cotton wet with *n*-heptane and follow by abrasion with abrasive cloth until a fresh metal surface is exposed. Then wipe with dry absorbent cotton until all loose particles of metal and abrasive have been removed. In subsequent operations handle the catalyst wires with clean gloves (cotton, rubber, or plastic) to prevent contact with the skin.

9.2 *Preparation of Catalyst Coil*—Twist the iron and copper wires tightly together at one end for three turns and then wind them simultaneously alongside each other on a threaded mandrel (see Fig. 2), inserting the iron wire in the deeper thread. Remove the coil from the mandrel, twist the free ends of the iron and copper wires together for three turns, and bend the twisted ends to conform to the shape of the spiral coil. The overall length of the finished coil should be  $225 \pm 5$  mm ( $8.9 \pm 0.2$  in.). If necessary, the coil may be stretched to give the required length (Note 4 and Note 5).

NOTE 5—The finished catalyst coil is a double spiral of copper and iron wire,  $225 \pm 5$  mm ( $8.9 \pm 0.2$  in.) overall length and 15.9 to 16.5 mm (0.625 to 0.650 in.) inside diameter. The turns of wire are evenly spaced, and two consecutive turns of the same wire are 3.96 to 4.22 mm (0.156 to 0.166 in.) apart, center to center. The mandrel shown in Fig. 2 is designed to produce such a coil. Using this mandrel, the iron wire is wound on a thread of 14.98 mm (0.590 in.) diameter, while the copper wire is wound on a thread of 15.9-mm (0.625-in.) diameter. The smaller diameter is to allow for “springback” of the steel wire after winding, so as to give 15.9-mm consistent inside diameter. Use of a very soft annealed steel wire may allow use of identical thread diameters for the two wires. Any arrangement that leads to the coil configuration described above is satisfactory.

9.3 *Catalyst Storage*—The catalyst coil may be stored in a dry, inert atmosphere prior to use. A suitable procedure for

catalyst storage is given in Appendix X1. Before use it should be inspected to assure that no corrosion products or contaminating materials are present. For overnight storage (less than 24 h) the coil may be stored in *n*-heptane.

9.3.1 *n*-heptane used for catalyst storage must be free of traces of water and corrosive materials. Redistilled *n*-heptane conforming to 7.5 and stored in a tightly sealed bottle is suitable.

9.4 *Cleaning New Glassware*—Wash new oxygen delivery tubes, condensers, and test tubes with a hot detergent solution and rinse thoroughly with tap water. Clean the interiors of the test tubes, exteriors of the condensers, and both interiors and exteriors of the oxygen delivery tubes with a cleaning reagent. Rinse thoroughly with tap water until all cleaning solution is removed. Rinse all parts with reagent water and allow to dry at room temperature or in an oven. The final reagent water rinse may be followed by an isopropyl alcohol rinse, or acetone rinse optionally followed by dry air blowing to hasten drying at room temperature.

9.5 *Cleaning Used Glassware*—Immediately following termination of a test, drain the oil completely from the test tube. Rinse all the glassware with *n*-heptane to remove traces of oil, wash with a hot detergent solution using a long-handled brush, and rinse thoroughly with tap water. If deposits still adhere to the glassware, a method that has been found useful is to fill the test tubes with detergent solution, insert the oxygen delivery tubes and condensers, and place the tubes in the bath at test temperature. Several hours soaking in this manner often serves to loosen all adhering deposits except iron oxide. Subsequent rinsing with hot (50°C) hydrochloric acid will serve to remove iron oxide. After all deposits are removed, rinse all glassware with a cleaning reagent. Rinse thoroughly with tap water until all cleaning reagent is removed. Rinse all parts with reagent water and allow to dry at room temperature or in an oven. The final reagent water rinse may be followed by an isopropyl alcohol rinse, or acetone rinse optionally followed by dry air blowing, to hasten drying at room temperature. Store glassware in a dry dust-free condition until ready to use.

## 10. Procedure for Oxidizing the Oil

10.1 Adjust the heating bath to a temperature high enough to maintain the oil in the oxidation test cell at the required temperature of  $95 \pm 0.2^\circ\text{C}$ .

10.2 Fill the empty oxidation test tube with 300 mL of the oil sample to the graduation mark. Slide the catalyst coil over the inlet of the oxygen delivery tube. If the wires are uneven at one end of the coil, position the coil so that this end is down. Place the oxygen delivery tube with the coil into the test tube. Place the condenser over the oxygen delivery tube and test tube. Immerse the test tube in the heating bath. Adjust the heating bath liquid level so that the tube is immersed in the liquid to a depth of  $355 \pm 10$  mm. Connect the condenser to the cooling water. The temperature of the outlet water should not exceed  $32^\circ\text{C}$  at any time during the test.

10.3 Connect the oxygen delivery tube to the oxygen supply (see 7.10) through the flowmeter using new poly vinyl chloride flexible tubing no more than 600 mm in length. Before using, the interior of the new tubing should be rinsed with *n*-heptane

<sup>14</sup> Alconox has been found satisfactory for this purpose.