



SLOVENSKI STANDARD
SIST ISO 2370:1995

01-december-1995

HY_glj]Y!`8c`c UbY`Z]bcgh]`UbYb] \ j`U_Yb!`A YrcX]`a YfYbU`dfYdi glbcgh]

Textiles -- Determination of fineness of flax fibres -- Permeametric methods

Textiles -- Détermination de la finesse des fibres de lin -- Méthodes perméamétriques

Ta slovenski standard je istoveten z: ISO 2370:1980

[SIST ISO 2370:1995](https://standards.iteh.ai/catalog/standards/sist/c86de531-751f-4386-81c2-00364c3a8ae8/sist-iso-2370-1995)

<https://standards.iteh.ai/catalog/standards/sist/c86de531-751f-4386-81c2-00364c3a8ae8/sist-iso-2370-1995>

ICS:

59.060.10 Naravna vlakna Natural fibres

SIST ISO 2370:1995 **en**

iTeh STANDARD PREVIEW
(standards.iteh.ai)

[SIST ISO 2370:1995](#)

<https://standards.iteh.ai/catalog/standards/sist/c86de531-751f-4386-81c2-00364c3a8ae8/sist-iso-2370-1995>

International Standard



2370

INTERNATIONAL ORGANIZATION FOR STANDARDIZATION • МЕЖДУНАРОДНАЯ ОРГАНИЗАЦИЯ ПО СТАНДАРТИЗАЦИИ • ORGANISATION INTERNATIONALE DE NORMALISATION

**Textiles — Determination of fineness of flax fibres —
Permeametric methods**

Textiles — Détermination de la finesse des fibres de lin — Méthodes perméamétriques

Second edition — 1980-11-01

ITeH STANDARD PREVIEW
(standards.iteh.ai)

[SIST ISO 2370:1995](#)

<https://standards.iteh.ai/catalog/standards/sist/c86de531-751f-4386-81c2-00364c3a8ae8/sist-iso-2370-1995>

UDC 677.11.017.224

Ref. No. ISO 2370-1980 (E)

Descriptors : textiles, natural fibres, flax fibres, dimensional measurement, tests, permeability, fineness.

Foreword

ISO (the International Organization for Standardization) is a worldwide federation of national standards institutes (ISO member bodies). The work of developing International Standards is carried out through ISO technical committees. Every member body interested in a subject for which a technical committee has been set up has the right to be represented on that committee. International organizations, governmental and non-governmental, in liaison with ISO, also take part in the work.

Draft International Standards adopted by the technical committees are circulated to the member bodies for approval before their acceptance as International Standards by the ISO Council.

International Standard ISO 2370 was developed by Technical Committee ISO/TC 38, *Textiles*, and was circulated to the member bodies in August 1979.

It has been approved by the member bodies of the following countries :-

Belgium
Canada
Cyprus
Czechoslovakia
Egypt, Arab Rep. of
France
Germany, F.R.
Ghana
Hungary

Israel
Japan
Korea, Rep. of
Libyan Arab Jamahiriya
Netherlands
New Zealand
Norway
Poland
Portugal

Romania
South Africa, Rep. of
Spain
Sweden
Switzerland
Turkey
USSR

The member bodies of the following countries expressed disapproval of the document on technical grounds :

Italy
United Kingdom

This second edition cancels and replaces the first edition (i.e. ISO 2370:1972).

Textiles — Determination of fineness of flax fibres — Permeametric methods

0 Introduction

Fineness can be considered as a vital characteristic of flax. However, because of their special structure, the measurement of the fineness of such fibres presents a difficult problem.

Whereas cotton, wool, man-made fibres, etc., form individual fibres of a given dimension and are easily separated one from the other, flax fibres form, after retting and scutching, fibre strands. These consist of a certain number of ultimate fibres, bound together more or less imperfectly by pectic substances which give certain fibres a branching form. During the spinning operations, these fibre strands are progressively divided without such a process ending in the complete separation into ultimate fibres.

In these conditions, determination of the fineness of flax fibres presents the following difficulties :

- in the first place, a difficulty arises from the continuous alteration of the amount of division of the substance during the spinning. One cannot therefore refer to fineness as such, but only to fineness corresponding to a state consecutive to a given operation. It will therefore always be necessary to specify the state in which the substance is found when making any measurement;
- a second difficulty, which also results from the constitution of the substance, lies in the fact that the separation of the fibrous elements is a delicate operation.

Taking these difficulties into account, "permeametric" methods based on the Kozeny equation (see annex C) seem most suitable for measuring the fineness of bast.

1 Scope and field of application

This International Standard specifies two permeametric methods for the determination of the fineness of flax fibres :

- a reference method, with two compressions, using a test piece of parallel fibres (clause 5);
- a simplified method, with one compression, using a test piece of fibres distributed "at random" (clause 6).

These methods apply to the various forms possible for flax fibres, i.e. long strands, broken strands, all kinds of tow and at all stages of manufacture of these substances.

2 References

ISO 139, *Textiles — Standard atmospheres for conditioning and testing.*

ISO 1130, *Textile fibres — Some methods of sampling for testing.*

3 Definitions

For the purposes of this International Standard, the following definitions apply.

3.1 wads of fibres (forming the test piece) : A fibrous mass introduced into the centre channel of a cylindrical casing and on which the measurement will be made.

In the reference method, the fibrous elements forming the wad are placed parallel to the axis of the casing. In the simplified method, the fibrous mass is introduced into a chamber so that the fibres forming the wad are placed at random. In both methods it is essential that the density of the filling is as regular as possible.

3.2 resistance R of a wad of fibres (forming the test piece) to the passage of air in laminar flow : Quotient of depression ΔP (mbar) produced by the wad of fibres to flow Q (cm³/s) passing through it :

$$R = \frac{\Delta P}{Q} \text{ (mbar} \cdot \text{s/cm}^3\text{)}$$

If Δh is the difference in level, in centimetres, (read at the vertical) of a water gauge, one can write :

$$R = \frac{gQ \times \Delta h}{Q}$$

ISO 2370-1980 (E)

where

g is the acceleration due to gravity, considered as equal to 981 cm/s²;

ρ is the density of water, i.e. 1 g/cm³.

Numerically, resistance R will be equal to

$$\frac{0,98 \Delta h}{Q} \text{ (mbar}\cdot\text{s/cm}^3\text{)}$$

where

Δh is the difference in level, in centimetres;

Q is the flow, in cubic centimetres per second.

3.3 specific surface A of a wad of fibres (forming the test piece) : Quotient of the total side surface of the constituent fibrous elements by their volume, expressed in square centimetres per cubic centimetre (cm²/cm³).

3.4 index of specific surface A' of wad of fibres (forming the test piece) : Index defined by the equation¹⁾ :

$$A' = A\sqrt{\mu k}$$

where

A is the specific surface of the wad;

μ is the viscosity of the air;

k is a dimensionless empirical factor of proportionality.

3.5 index of fineness standard (IFS) : Index of fineness determined by a conventional method (gravimetric method) on reference lots. This index (index of fineness IFS), relatively close to values expressed by the Tex System, permits compensation for the fact that the fineness of flax fibres cannot be defined in an absolute manner.

4 Conditioning and test atmosphere

Weighing and measuring shall be carried out in one of the standard atmospheres for conditioning and testing of textiles, defined in ISO 139, on test pieces previously conditioned in the same atmosphere.

5 Reference method

5.1 Principle

Measurement of the resistance to the passage of air of a wad of parallel fibres of given mass placed successively in two casings of specified size but different diameters, then, from the two values obtained, deduction of the index of specific surface of the wad and the density of the fibres, which characterize the fineness of the fibres.

NOTE — Whilst it is usual for certain fibres to take on a well defined density, experience shows that such is not the case with flax fibres; for this reason it is necessary to measure the density of the fibre at the same time as the determination of specific surface index.

5.2 Sampling

Samples shall be representative of a batch.

Sampling shall be carried out by one of the methods given in ISO 1130.

5.3 Test pieces

5.3.1 Shape and mass

The test piece shall consist of a stub of parallel fibres about 80 mm long, having a mass between 2,8 and 3,2 g, depending on the material.

5.3.2 Preparation

5.3.2.1 Scutched or hackled flax

If the material consists of scutched flax (green, retted) or line flax, cut from the desired place (for example top, middle, bottom) stubs approximately 80 mm long and take the mass needed for the test.

5.3.2.2 Flax tow in wads

Carry out carding to make the fibres parallel; this is done by using hand carding machines (see annex A).

5.3.2.3 Slivers or rovings

Take, at intervals, sections about 80 mm long. Bring together the various stubs and take the mass required for the test.

1) See annex C.

5.4 Apparatus

The apparatus shown in figure 1 shall include the following.

5.4.1 Air tap, A, below an air chamber (minimum pressure 1,5 bar) fed by a compressor or by a general dry compressed air line.

5.4.2 Gauge, B, graduated from 0 to 2 bar, with a control device.

5.4.3 Butterfly valve for output control, C, (0,15 to 0,85 cm³/s).

5.4.4 Three-way tap, D.

5.4.5 Soap bubble output meter, E, or any other apparatus permitting precise measurement of low output.

5.4.6 Measuring chamber, F, into which the casing containing the parallel fibres is placed. The edge of this casing, fitted with a supple joint, comes against the edge of F and is retained there by a threaded cap G having a circular opening.

5.4.7 Water manometer, M, formed by a tube with variable tilt permitting readings of maximum depression corresponding to 250 – 50 – 25 and 12,5 mm, according to the tilt. One of the ends is open to the air and the other connected to the chamber F, as shown in figure 1.

5.4.8 Casings, 10 mm high and with diameters of 10 and 11 mm (to the nearest 10 µm) respectively.

5.4.9 Circular sharp blade, mounted on a rapidly rotating axle.

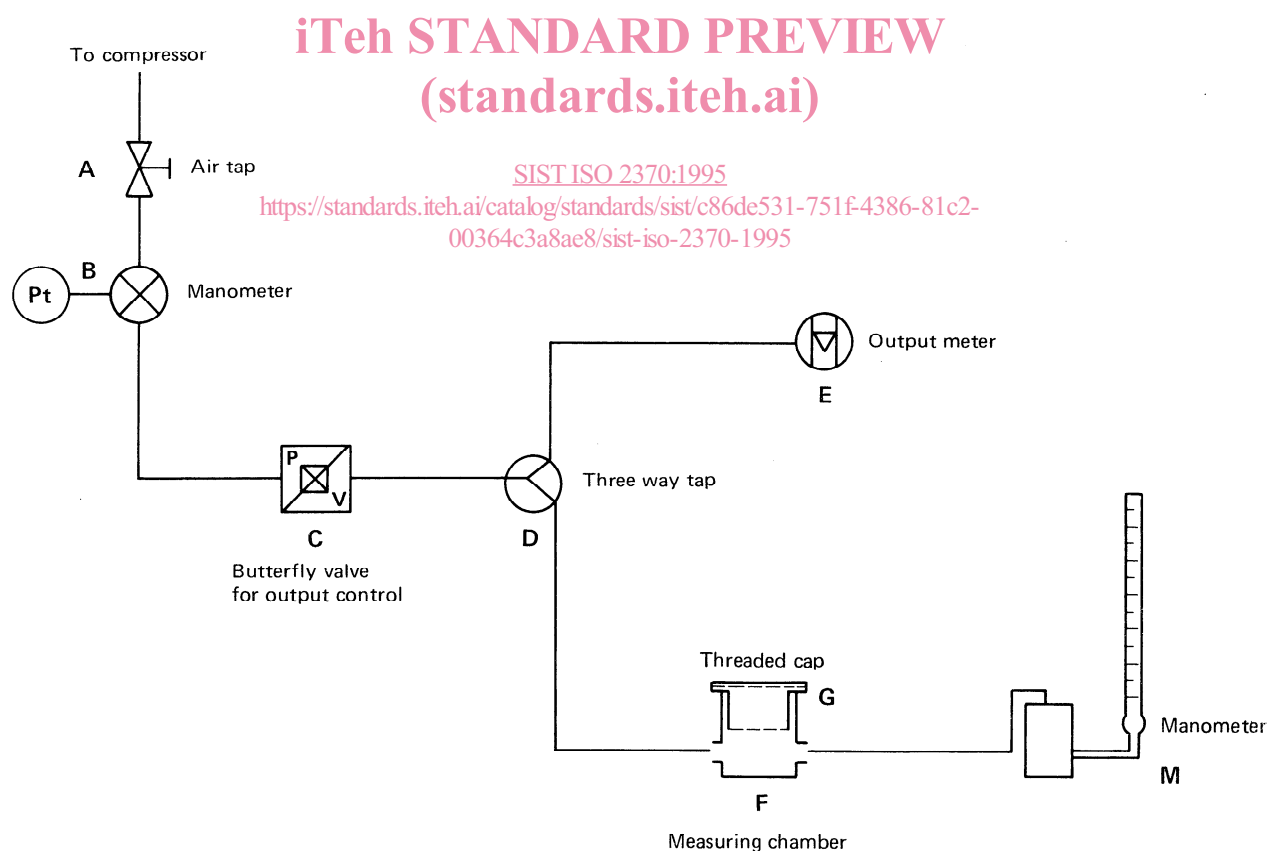


Figure 1 — Apparatus for the reference method

ISO 2370-1980 (E)

5.5 Procedure

5.5.1 Determination of output

Adjust the output controlled by butterfly valve C to $0,50 \pm 0,01 \text{ cm}^3/\text{s}$. Determine the exact output before each series of measurements. For this purpose :

- leave the apparatus connected to the flow for 30 min to obtain a stationary flow, the initial pressure being controlled at 1 bar;
- open the three way tap D in the direction of the output meter. Determine the time necessary for a bubble to obtain a predetermined level corresponding to 50 cm^3 . Take the mean of five measurements.

The butterfly valve C permits maintenance of the output at a constant value, even in the case of variation of the initial pressure or the counter pressure.

5.5.2 Measurement of resistance R_1

Introduce the parallel fibres of flax (scutched, line, roving) or prepared parallel fibres (tow) into the channel of the 10 mm diameter casing, as shown in figure 2. Cut the fibres which stick out of the channel using the rapidly rotating sharp circular blade; during this operation, the casing shall rotate at a slower speed.

Start the apparatus, introduce the casings into the chamber and screw on the cover G. After stabilization of the pressure, read the height Δh_1 on the manometer and deduce the resistance R_1 , in bar seconds per cubic centimetre, using the formula

$$R = \frac{0,98 \Delta h}{Q}$$

where

Δh is the manometer height, in centimetres, read at the vertical on the water manometer;

Q is the output, in cubic centimetres per second, measured in 5.5.1.

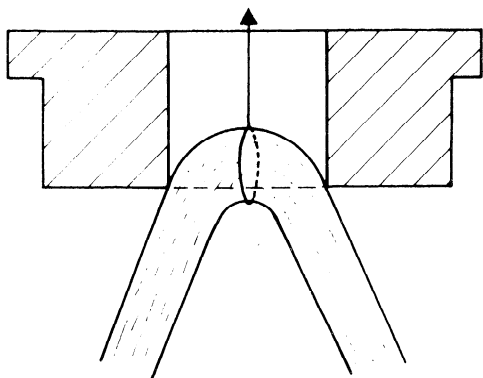


Figure 2 — Introducing the fibres into the casing

5.5.3 Measurement of resistance R_2

Withdraw the casing from the chamber. Place it on the 11 mm diameter casing, so that the axes coincide, and push the wad of fibres into this second casing as shown in figure 3, using a metal ram of 9,8 mm diameter. This transfer of the wad will inevitably create preferential channels. It is essential to eliminate these by the following manual operation; with the casing in the left hand, submit the fibre wad to a transverse vibration between the thumb and second finger of the right hand.

Make a second measurement of the manometric height (Δh_2), proceeding as indicated in 5.5.2. Deduce from this new measurement the resistance R_2 .

Dimensions in millimetres

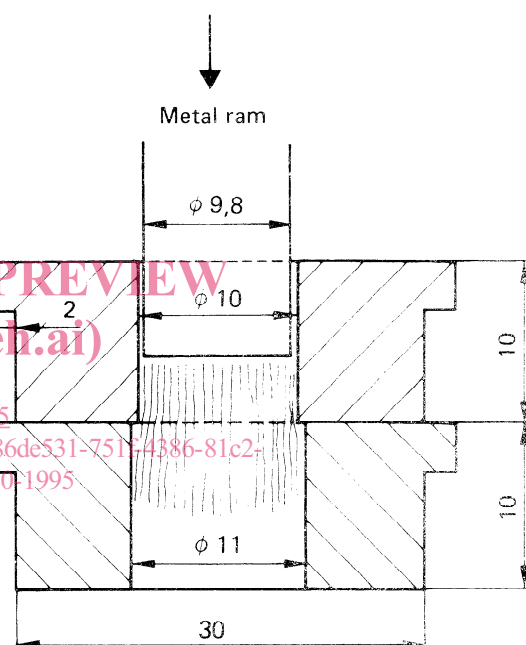


Figure 3 — Transferring the wad of fibres

5.5.4 Determination of the mass of the wad of fibres

Extract the wad of fibres from the casing and determine its mass to the nearest milligram.

5.6 Control of apparatus functioning

It is recommended that two gauges be used for regular control of the apparatus and verification that it is in good working condition. These gauges consist of pieces of metal, of external dimensions equal to those of the casings used for the introduction of the fibres, with a central hole.

The diameter of the central hole of one of the disks shall be chosen to give a reading corresponding to approximately 1/3 of the measurement scale of the manometer, when the disk is placed in the apparatus, the latter being used as when a measurement of fineness is made, but without fibre in the chamber.

The diameter of the central hole of the second disk shall be chosen to give a reading corresponding to approximately 2/3 of the measurement scale of the manometer.

About once per day, place the gauges in the apparatus, passing air through the central hole only, and note the corresponding readings.

The variations in these readings should not exceed, depending on the gauges used, 2 or 4 mm of the scale. This procedure forms a useful and rapid check of the functioning of the apparatus.

5.7 Calculation and expression of results

Calculate the specific surface index A' and the density ρ of the flax fibre from the formulae

$$A' = A\sqrt{\mu k} = C \times \frac{R_1^{1/2} \times R_2^{1/2}}{(C_1 R_1^{1/3} - C_2 R_2^{1/3}) \sqrt{R_1^{1/3} - R_2^{1/3}}}$$

$$\rho = m \times \frac{R_1^{1/3} - R_2^{1/3}}{C_1 R_1^{1/3} - C_2 R_2^{1/3}}$$

where

$$C_1 = L\omega_1$$

$$C_2 = L\omega_2$$

$$C = \sqrt{L(\omega_2 - \omega_1)^3}$$

L is the height of both casings (1,0 cm);

R_1 and R_2 are the resistances, in millibar seconds per cubic centimetre;

μ is the dynamic viscosity of air ($1,81 \times 10^{-7}$ centinewton seconds per square centimetre);

k is the empirical factor of proportionality without dimensions;

ρ is the density of the fibrous material, in grams per cubic centimetre;

ω_1 is the section of the first casing (diameter 1,0 cm);

ω_2 is the section of the second casing (diameter 1,1 cm);

m is the mass, in grams, of the wad;

A' is the index of specific surface;

A is the specific surface of the wad, in square centimetres per cubic centimetre.

The parameter A' is characteristic of the fineness; however, by convention, the value of A' shall be used as described in annex B to enable the results to be expressed as an index of fineness standard, IFS.

6 Simplified method

6.1 Principle

Determination of the difference in level produced in a manometric tube by the passage of air through a wad of fibres placed randomly in a casing of known size.

The value of this difference in level Δh relates to the fineness of the fibre.

NOTE — Neglecting the variations of density of the fibres, one can consider that

- with a single compression,
- with a constant flow, and
- with a test piece of constant mass,

the measurement of the difference in level Δh is sufficient index to judge the fineness of the flax fibres.

6.2 Sampling

The sample shall be representative of the batch.

Sampling shall be carried out by one of the methods given in ISO 1130.

6.3 Test pieces

6.3.1 Shape and mass

The test piece shall consist of a mass of fibres of mass equal to $1,2 \pm 0,001$ g.

6.3.2 Preparation

6.3.2.1 Scutched or line flax

Take sections of these materials from the hanks.

Subdivide these sections into uncut strips by pinching the fibres in the middle and separating them out crossways. Take a mass slightly greater than that of the test piece. Repeat this operation for each of the test pieces.

6.3.2.2 Raw tow or waste flax

Divide the sample into the number of parts required. From each, take, in several pinches, a slightly greater quantity than the mass of the test piece.

6.3.2.3 Sliver or roving

Starting from one end, eliminate the first tufts taken with the fingers; then take, in successive clumps, lengthways, the quantity necessary to form a test piece.

With the roving, proceed in the same way after unwinding. Avoid shortening the fibres and, in particular, avoid using scissors.

iTeh STANDARD PREVIEW
(standards.iteh.ai)

SIST ISO 2370:1995

<https://standards.iteh.ai/catalog/standards/sist/86dc531-751f-4386-81c2-00364c3a8ae8/sist-iso-2370-1995>