



Designation: E2408 – 04(Reapproved 2009)

# Standard Test Method for Relative Extensional Viscosity of Agricultural Spray Tank Mixes<sup>1</sup>

This standard is issued under the fixed designation E2408; the number immediately following the designation indicates the year of original adoption or, in the case of revision, the year of last revision. A number in parentheses indicates the year of last reapproval. A superscript epsilon ( $\epsilon$ ) indicates an editorial change since the last revision or reapproval.

## 1. Scope

1.1 This test method covers the determination of the relative extensional viscosity or Screen Factor (SF) of dilute agricultural spray mixes.

1.2 The test can be used for tank mixes containing dissolved, emulsified or dispersed materials, or mixtures.

1.3 Results may be affected by the quality of the water used. Make-up water quality should therefore be specified in the presentation of results.

1.4 Proper safety and hygiene precautions must be taken when working with pesticide formulations to prevent skin or eye contact, vapor inhalation, and environmental contamination. Read and follow all handling instructions for the specific formulation and conduct the test in accordance with good laboratory practice.

NOTE 1—References to the development of extensional viscosity from dissolved polymers, extensional viscosity effects on the droplet size distribution of sprays, and measurements of screen factor on recirculated spray mixes containing polymers are available.<sup>2,3</sup>

1.5 The values stated in SI units are to be regarded as standard. No other units of measurement are included in this standard.

1.6 *This standard does not purport to address all of the safety concerns, if any, associated with its use. It is the responsibility of the user of this standard to establish appropriate safety and health practices and determine the applicability of regulatory limitations prior to use.*

<sup>1</sup> This test method is under the jurisdiction of ASTM Committee E35 on Pesticides, Antimicrobials, and Alternative Control Agents and is the direct responsibility of Subcommittee E35.22 on Pesticide Formulations and Delivery Systems.

Current edition approved Oct. 1, 2009. Published November 2009. Originally approved in 2004. Last previous edition approved in 2004 as E2408 – 04. DOI: 10.1520/E2408-04R09.

<sup>2</sup> Dexter, R. W., "Measurements of Extensional Viscosity of Polymer Solutions and its Effect on Atomization from a Spray Nozzle," *Atomization and Sprays*, Vol 6, 1996, pp. 167–191

<sup>3</sup> Zhu, H., Dexter, R. W., Fox, R. D., Reichard, D. L., Brazee, R. D., and Okzan, H. E., "Droplet Size and Viscosity Effects in Recirculated Polymer Spray Solutions," *J. Agric. Engr. Res.*, Vol 67, 1997, pp. 35–45

## 2. Referenced Documents

### 2.1 ASTM Standards:<sup>4</sup>

D1193 Specification for Reagent Water

E609 Terminology Relating to Pesticides

E1116 Test Method for Emulsification Characteristics of Pesticide Emulsifiable Concentrates

### 2.2 CIPAC Documents:

CIPAC Monograph 1 (Instructions for the preparation of hard water)

CIPAC Method MT 18.1.1 to 18.1.7 (Instructions for the preparation of standard waters)

## 3. Terminology

### 3.1 Definitions:

3.1.1 *screen factor, (SF)*—the ratio of the flow time of a test fluid ( $t_p$ ) to the flow time of water ( $t_w$ ) through the screen viscometer apparatus.

3.1.2 *extensional viscosity, (E)*—a measure of the resistance of a fluid to distortion by a stretching force.

## 4. Significance and Use

4.1 Extensional viscosity is a measure of the resistance of a liquid to stretching forces, such as those occurring during the disruption of liquid films and the formation of sprays used in agriculture and other purposes including painting operations or metal working. This method for measurement of a Screen Factor, gives a relative value for extensional viscosity, which may be used:

4.1.1 To compare the potential for drift control of different polymers.

4.1.2 To compare the relative extensional viscosity component of different spray tank mixtures.

4.1.3 To determine the extent of breakdown of polymer solutions used as drift control additives during the recirculation of the solutions through pumps and screens.

4.1.4 To use as a parameter in the Spray Drift Task Force Models for droplet size prediction.

<sup>4</sup> For referenced ASTM standards, visit the ASTM website, www.astm.org, or contact ASTM Customer Service at service@astm.org. For *Annual Book of ASTM Standards* volume information, refer to the standard's Document Summary page on the ASTM website.

4.2 It should also be noted that many drift control polymers are irreversibly destroyed during the recirculation of spray mixes by pumping with high shear pumps such as gear or centrifugal pumps. It is advisable to subject the test mixture to similar pumping regimes to simulate practical conditions before carrying out the extensional viscosity test. Measurements of extensional viscosity are the only presently known method of determining the extent of this breakdown properties of dilute polymer solutions.

4.3 This method is intended to produce a relative value for extensional viscosity. The purpose of the method is to compare the extensional viscosity produced by different polymer types or concentrations of polymer in spray tank mixes.

**5. Apparatus**

5.1 *List of Materials for Construction of Screen Viscometer:*

5.1.1 *Item 1*—Fluorinated plastic ¼ in. (0.635 cm) straight union, reference SKU-II4, P#D1O77019. Norton Performance Plastics, 150 Dey Road, Wayne, New Jersey, 07470, USA.

5.1.2 *Item 2*—Cut five (5) ¼ in. diameter discs (see 5.2) from 100 mesh (150 µm aperture) USA Standard Testing Sieve, ASTM E11 specification, stainless steel plain weave screen, so as to fit tightly into the ¼ in. plastic union.

5.1.3 *Item 3*—Glass 25 mL pipette, {VWR catalog #7102 (1999)} or equivalent. External diameter of the tube below the bulb of the pipette = 0.82 cm. Cut off the lower part of the pipette at a point 2.5 cm below the bulb. Round off the sharp edges of the tube with a flame.

5.1.4 *Item 4*—Silicone rubber tubing, flexible, for use as a sleeve to join a glass tube (Item 5) to the lower end of the pipette (Item 3).

5.1.5 *Item 5*—Glass tube, cut from a 2 mL pipette, Kimax #37000, or equivalent (American Scientific catalog #P4140-2). Dimensions of tube are: length = 3 cm; outside diameter = 0.62 cm. Round off the sharp ends of the tube in a flame.

NOTE 2—Appropriate safety precautions should be taken when using an open flame for rounding the ends of the glass tubes.

5.2 *Assembly of Screen Viscometer*—Refer to Fig. 1, which shows the arrangement of the separate items of equipment, and Fig. 2, which shows the placement of the screen pack in the plastic union.

5.2.1 Push the five stainless screen discs, one at a time, into the ¼ in. (0.635 cm) plastic union. Push each screen down to the central lug in the union, using a piece of ¼ in. glass tubing. Ensure that the last of the 5 screens fits tightly into the plastic tube to keep the pack of screens well compacted and fixed in place.

5.2.2 Push the silicone rubber sleeve (Item 4) on to the lower end of the pipette tube (Item 3). Leave approximately 0.8 cm of the silicone tube projecting beyond the glass.

5.2.3 Push the short glass tube (Item 5) into the plastic union firmly and press down on the pack of screens. Screw on the end cap of the union to retain the position of the screen pack. Ensure that the Teflon cone supplied with the union is fitted properly, to provide a leak tight seal. About 0.6 cm of the glass tube should protrude from the end cap of the union.

5.2.4 Push together the glass tube protruding from the end cap, into the silicone rubber sleeve attached to the pipette. Check the alignment of the pipette and screen pack for straightness.

5.3 *Other Accessories Required:*

5.3.1 Two 500 mL beakers.

5.3.2 A stand and clamp to hold the pipette firmly in a vertical position.

5.3.3 A stopwatch, reading to 0.01 s.

5.3.4 A 200 mesh USA Standard Testing (75 µm aperture) stainless steel sieve, 4 in. diameter.

5.3.5 A pipette bulb, or preferably, a low vacuum suction device (see 7.2.2).

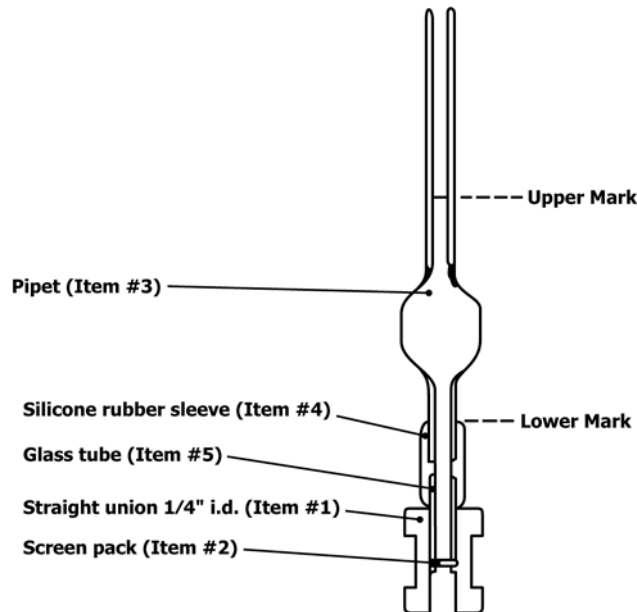


FIG. 1 Diagram of Apparatus