



Designation: C1198 – 09

Standard Test Method for Dynamic Young's Modulus, Shear Modulus, and Poisson's Ratio for Advanced Ceramics by Sonic Resonance¹

This standard is issued under the fixed designation C1198; the number immediately following the designation indicates the year of original adoption or, in the case of revision, the year of last revision. A number in parentheses indicates the year of last reapproval. A superscript epsilon (ϵ) indicates an editorial change since the last revision or reapproval.

Note—Corrections were made to the 2008^{ε1} version and the year date was changed on Nov. 4, 2009.

1. Scope

1.1 This test method covers the determination of the dynamic elastic properties of advanced ceramics. Specimens of these materials possess specific mechanical resonant frequencies that are determined by the elastic modulus, mass, and geometry of the test specimen. Therefore, the dynamic elastic properties of a material can be computed if the geometry, mass, and mechanical resonant frequencies of a suitable test specimen of that material can be measured. Dynamic Young's modulus is determined using the resonant frequency in the flexural mode of vibration. The dynamic shear modulus, or modulus of rigidity, is found using torsional resonant vibrations. Dynamic Young's modulus and dynamic shear modulus are used to compute Poisson's ratio.

1.2 This test method measures the resonant frequencies of test specimens of suitable geometry by mechanically exciting them at continuously variable frequencies. Mechanical excitation of the bars is provided through the use of a transducer that transforms a cyclic electrical signal into a cyclic mechanical force on the specimen. A second transducer senses the resulting mechanical vibrations of the specimen and transforms them into an electrical signal. The amplitude and frequency of the signal are measured by an oscilloscope or other means to detect resonant vibration in the desired mode. The resonant frequencies, dimensions, and mass of the specimen are used to calculate dynamic Young's modulus and dynamic shear modulus. (See Fig. 1)

1.3 This test method is specifically appropriate for advanced ceramics that are elastic, homogeneous, and isotropic (3).²

¹ This test method is under the jurisdiction of ASTM Committee C28 on Advanced Ceramics and is the direct responsibility of Subcommittee C28.01 on Mechanical Properties and Performance.

Current edition approved Nov. 4, 2009. Published November 2009. Originally approved in 1991. Last previous edition approved in 2008 as C1198 – 08 ^{ε1}. DOI: 10.1520/C1198-09.

² The boldface numbers given in parentheses refer to a list of references at the end of the text.

Advanced ceramics of a composite character (particulate, whisker, or fiber reinforced) may be tested by this test method with the understanding that the character (volume fraction, size, morphology, distribution, orientation, elastic properties, and interfacial bonding) of the reinforcement in the test specimen will have a direct effect on the elastic properties. These reinforcement effects must be considered in interpreting the test results for composites. This test method is not satisfactory for specimens that have cracks or voids that are major discontinuities in the specimen. Neither is the test method satisfactory when these materials cannot be fabricated in a uniform rectangular or circular cross section.

1.4 A high-temperature furnace and cryogenic cabinet are described for measuring the dynamic elastic moduli as a function of temperature from –195 to 1200°C.

1.5 Modification of this test method for use in quality control is possible. A range of acceptable resonant frequencies is determined for a specimen with a particular geometry and mass. Any specimen with a frequency response falling outside this frequency range is rejected. The actual modulus of each specimen need not be determined as long as the limits of the selected frequency range are known to include the resonant frequency that the specimen must possess if its geometry and mass are within specified tolerances.

1.6 The procedures in this test method are, where possible, consistent with the procedures of Test Methods C623, C747, and C848. The tables of these test methods have been replaced by the actual formulas from the original references. With the advent of computers and sophisticated hand calculators, the actual formulas can be easily used and provide greater accuracy than factor tables.

1.7 The values stated in SI units are to be regarded as the standard. The values given in parentheses are for information only.

1.8 *This standard does not purport to address all of the safety concerns, if any, associated with its use. It is the*

responsibility of the user of this standard to establish appropriate safety and health practices and determine the applicability of regulatory limitations prior to use.

2. Referenced Documents

2.1 ASTM Standards:³

- C372** Test Method for Linear Thermal Expansion of Porcelain Enamel and Glaze Frits and Fired Ceramic Whiteware Products by the Dilatometer Method
- C623** Test Method for Young's Modulus, Shear Modulus, and Poisson's Ratio for Glass and Glass-Ceramics by Resonance
- C747** Test Method for Moduli of Elasticity and Fundamental Frequencies of Carbon and Graphite Materials by Sonic Resonance
- C848** Test Method for Young's Modulus, Shear Modulus, and Poisson's Ratio For Ceramic Whitewares by Resonance
- C1145** Terminology of Advanced Ceramics
- C1161** Test Method for Flexural Strength of Advanced Ceramics at Ambient Temperature
- D4092** Terminology for Plastics: Dynamic Mechanical Properties
- E2001** Guide for Resonant Ultrasound Spectroscopy for Defect Detection in Both Metallic and Non-metallic Parts

3. Terminology

3.1 Definitions:

3.1.1 *advanced ceramic*, *n*—a highly engineered, high performance, predominately nonmetallic, inorganic, ceramic material having specific functional attributes. **C1145**

3.1.1.1 *dynamic mechanical measurement*, *n*—a technique in which either the modulus or damping, or both, of a substance under oscillatory load or displacement is measured as a function of temperature, frequency, or time, or combination thereof. **D4092**

3.1.2 *elastic limit* [FL⁻²], *n*—the greatest stress that a material is capable of sustaining without permanent strain remaining upon complete release of the stress.

3.1.3 *elastic modulus* [FL⁻²], *n*—the ratio of stress to strain below the proportional limit.

3.1.4 *Poisson's ratio* (μ) [nd], *n*—the absolute value of the ratio of transverse strain to the corresponding axial strain resulting from uniformly distributed axial stress below the proportional limit of the material.

3.1.4.1 *Discussion*—In isotropic materials Young's modulus (*E*), shear modulus (*G*), and Poisson's ratio (μ) are related by the following equation:

$$\mu = (E/2G) - 1$$

3.1.5 *proportional limit* [FL⁻²], *n*—the greatest stress that a material is capable of sustaining without deviation from proportionality of stress to strain (Hooke's law).

³ For referenced ASTM standards, visit the ASTM website, www.astm.org, or contact ASTM Customer Service at service@astm.org. For *Annual Book of ASTM Standards* volume information, refer to the standard's Document Summary page on the ASTM website.

3.1.6 *shear modulus* (*G*) [FL⁻²], *n*—the elastic modulus in shear or torsion. Also called *modulus of rigidity* or *torsional modulus*.

3.1.7 *Young's modulus* (*E*) [FL⁻²], *n*—the elastic modulus in tension or compression.

3.2 Definitions of Terms Specific to This Standard:

3.2.1 *anti-nodes*, *n*—an unconstrained slender rod or bar in resonance contains two or more locations that have local maximum displacements, called anti-nodes. For the fundamental flexure resonance, the anti-nodes are located at the two ends and the center of the specimen.

3.2.2 *elastic*, *adj*—the property of a material such that an application of stress within the elastic limit of that material making up the body being stressed will cause an instantaneous and uniform deformation, that will be eliminated upon removal of the stress, with the body returning instantly to its original size and shape without energy loss. Most advanced ceramics conform to this definition well enough to make this resonance test valid.

3.2.3 *flexural vibrations*, *n*—the vibrations that occur when the oscillations in a slender rod or bar are in the plane normal to the length dimension.

3.2.4 *homogeneous*, *adj*—the condition of a specimen such that the composition and density are uniform, such that any smaller specimen taken from the original is representative of the whole. Practically, as long as the geometrical dimensions of the test specimen are large with respect to the size of individual grains, crystals, or components, the body can be considered homogeneous.

3.2.5 *isotropic*, *adj*—the condition of a specimen such that the values of the elastic properties are the same in all directions in the material. Advanced ceramics are considered isotropic on a macroscopic scale, if they are homogeneous and there is a random distribution and orientation of phases, crystallites, and components.

3.2.6 *nodes*, *n*—a slender rod or bar in resonance contains one or more locations having a constant zero displacement, called nodes. For the fundamental flexural resonance, the nodes are located at 0.224 *L* from each end, where *L* is the length of the specimen.

3.2.7 *resonance*, *n*—a slender rod or bar driven into one of the modes of vibration described in 3.2.3 or 3.2.9 is said to be in resonance when the imposed frequency is such that the resultant displacements for a given amount of driving force are at a maximum. The resonant frequencies are natural vibration frequencies that are determined by the elastic modulus, mass, and dimensions of the test specimen.

3.2.8 *slender rod or bar*, *n*—in dynamic elastic property testing, a specimen whose ratio of length to minimum cross-sectional dimension is at least five and preferably in the range of 20 to 25.

3.2.9 *torsional vibrations*, *n*—the vibrations that occur when the oscillations in each cross-sectional plane of a slender rod or bar are such that the plane twists around the length dimension axis.

4. Summary of Test Method

4.1 This test method measures the resonant frequencies of test specimens of suitable geometry by exciting them at continuously variable frequencies. Mechanical excitation of the bars is provided through the use of a transducer that transforms a cyclic electrical signal into a cyclic mechanical force on the specimen. A second transducer senses the resulting mechanical vibrations of the specimen and transforms them into an electrical signal. The amplitude and frequency of the signal are measured by an oscilloscope or other means to detect resonance. The resonant frequencies, dimensions, and mass of the specimen are used to calculate dynamic Young's modulus and dynamic shear modulus.

5. Significance and Use

5.1 This test method may be used for material development, characterization, design data generation, and quality control purposes. It is specifically appropriate for determining the modulus of advanced ceramics that are elastic, homogeneous, and isotropic.

5.1.1 This test method is nondestructive in nature. Only minute stresses are applied to the specimen, thus minimizing the possibility of fracture.

5.1.2 The period of time during which measurement stress is applied and removed is of the order of hundreds of microseconds. With this test method it is feasible to perform measurements at high temperatures, where delayed elastic and creep effects would invalidate modulus measurements calculated from static loading.

5.2 This test method has advantages in certain respects over the use of static loading systems for measuring moduli in advanced ceramics. It is nondestructive in nature and can be used for specimens prepared for other tests. Specimens are subjected to minute strains; hence, the moduli are measured at or near the origin of the stress-strain curve with the minimum possibility of fracture. The period of time during which measurement stress is applied and removed is of the order of hundreds of microseconds. With this test method it is feasible to perform measurements at high temperatures, where delayed elastic and creep effects would invalidate modulus measurements calculated from static loading.

5.3 The sonic resonant frequency technique can also be used as a nondestructive evaluation tool for detecting and screening defects (cracks, voids, porosity, density variations) in ceramic parts. These defects may change the elastic response and the observed resonant frequency of the test specimen. Guide E2001 describes a procedure for detecting such defects in metallic and nonmetallic parts using the resonant frequency method.

6. Interferences

6.1 The relationships between resonant frequency and dynamic modulus presented herein are specifically applicable to homogeneous, elastic, isotropic materials.

6.1.1 This test method of determining the moduli is applicable to composite ceramics and inhomogeneous materials only with careful consideration of the effect of inhomogeneities and anisotropy. The character (volume fraction, size, morphol-

ogy, distribution, orientation, elastic properties, and interfacial bonding) of the reinforcement/inhomogeneities in the specimens will have a direct effect on the elastic properties of the specimen as a whole. These effects must be considered in interpreting the test results for composites and inhomogeneous materials.

6.1.2 If specific surface treatments (coatings, machining, grinding, etching, etc.) change the elastic properties of the near-surface material, there will be accentuated effects on the properties measured by this flexural method, as compared to static/bulk measurements by tensile or compression testing.

6.1.3 This test method is not satisfactory for specimens that have major discontinuities, such as large cracks (internal or surface) or voids.

6.2 This test method for determining moduli is limited to specimens with regular geometries (rectangular parallelepiped and cylinders) for which analytical equations are available to relate geometry, mass, and modulus to the resonant vibration frequencies. This test method is not appropriate for determining the elastic properties of materials which cannot be fabricated into such geometries.

6.2.1 The analytical equations assume parallel/concentric dimensions for the regular geometries of the specimen. Deviations from the specified tolerances for the dimensions of the specimens will change the resonant frequencies and introduce error into the calculations.

6.2.2 Edge treatments such as chamfers or radii are not considered in the analytical equations. Edge chamfers on flexure bars prepared according to Test Method C1161 will change the resonant frequency of the test bars and introduce error into the calculations of the dynamic modulus. It is recommended that specimens for this test not have chamfered or rounded edges. Alternately, if narrow rectangular specimens with chamfers or edge radii are tested, then the procedures in Annex A1 should be used to correct the calculated Young's modulus, E.

6.2.3 For specimens with as-fabricated/rough or uneven surfaces, variations in dimension can have a significant effect in the calculations. For example, in the calculation of the dynamic modulus, the modulus value is inversely proportional to the cube of the thickness. Uniform specimen dimensions and precise measurements are essential for accurate results.

7. Apparatus

7.1 The test apparatus is shown in Fig. 1. It consists of a variable-frequency audio oscillator, used to generate a sinusoidal voltage, and a power amplifier and suitable transducer to convert the electrical signal to a mechanical driving vibration. A frequency meter (preferably digital) monitors the audio oscillator output to provide an accurate frequency determination. A suitable suspension-coupling system supports the test specimen. Another transducer acts to detect mechanical vibration in the specimen and to convert it into an electrical signal that is passed through an amplifier and displayed on an indicating meter. The meter may be a voltmeter, microammeter, or oscilloscope. An oscilloscope is recommended because it enables the operator to positively identify resonances, including higher order harmonics, by Lissajous figure analysis.

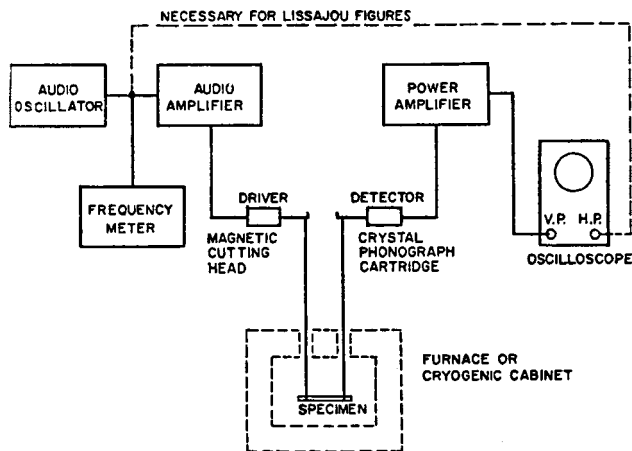


FIG. 1 Block Diagram of a Typical Test Apparatus

If a Lissajous figure is desired, the output of the oscillator is also coupled to the horizontal plates of the oscilloscope. If temperature-dependent data are desired, a suitable furnace or cryogenic chamber is used. Details of the equipment are as follows:

7.2 *Audio Oscillator*, having a continuously variable frequency output from about 100 Hz to at least 30 kHz. Frequency drift shall not exceed 1 Hz/min for any given setting.

7.3 *Audio Amplifier*, having a power output sufficient to ensure that the type of transducer used can excite any specimen the mass of which falls within a specified range.

7.4 *Transducers*—Two are required; one used as a driver may be a speaker of the tweeter type or a magnetic cutting head or other similar device depending on the type of coupling chosen for use between the transducer and the specimen. The other transducer, used as a detector, may be a crystal or magnetic reluctance type of photograph cartridge. A capacitive pickup may be used if desired. An electromagnetic coupling system with an attached metal foil may also be used, with due consideration for effects of the foil on the natural vibration of the test bar. The frequency response of the transducer across the frequency range of interest shall have at least a 6.5 kHz bandwidth before -3 dB power loss occurs.

7.5 *Power Amplifier*, in the detector circuit shall be impedance matched with the type of detector transducer selected and shall serve as a prescope amplifier.

7.6 *Cathode-Ray Oscilloscope*, any model suitable for general laboratory work.

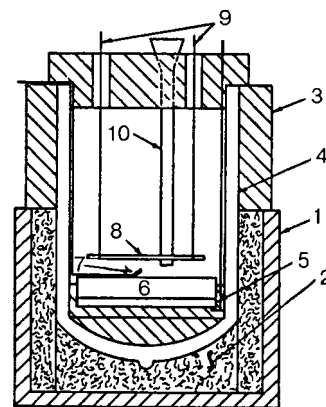
7.7 *Frequency Counter*, preferably digital, shall be able to measure frequencies to within ± 1 Hz.

7.8 *Furnace*—If data at elevated temperature are desired, a furnace shall be used that is capable of controlled heating and cooling. It shall have a specimen zone large enough for the specimen to be uniform in temperature within $\pm 5^\circ\text{C}$ along its length through the range of temperatures encountered in testing. It is recommended that an independent thermocouple be placed in close proximity to (within 5 mm), but not touching, the center of the specimen to accurately measure temperature during heating and cooling.

7.9 *Cryogenic Chamber*—For data at cryogenic temperatures, any chamber shall suffice that shall be capable of controlled heating/cooling, frost-free and uniform in temperature within $\pm 5^\circ\text{C}$ over the length of the specimen at any selected temperature. A suitable cryogenic chamber is shown in Fig. 2 (1). It is recommended that an independent thermocouple be placed in close proximity to (within 5 mm), but not touching, the center of the specimen to accurately measure temperature during heating and cooling.

7.10 *Specimen Suspension*—Any method of specimen suspension shall be used that is adequate for the temperatures encountered in testing and that allows the specimen to vibrate without significant restriction. Thread suspension is the system of choice for cryogenic and high-temperature testing. (See Fig. 1 and Fig. 3.) Common cotton thread, silica-glass fiber thread, oxidation-resistant nickel (or platinum) alloy wire, or platinum wire may be used. If metal wire suspension is used in the furnace, coupling characteristics will be improved if, outside the temperature zone, the wire is coupled to cotton thread, and the thread is coupled to the transducer. The specimen should be initially suspended at distances of approximately $0.1 L$ from each end. The specimen should not be suspended at its fundamental flexural node locations ($0.224 L$ from each end). The suspension point distances can be adjusted experimentally to maximize the vibrational deflection and resulting signal. For torsional vibration, the axes of suspension have to be off-center from the longitudinal axis of the specimen (shown in Fig. 3).

7.11 *Specimen Supports*—If the specimen is supported on direct contact supports, the supports shall permit the specimen to oscillate without significant restriction in the desired mode. This is accomplished for flexural modes by supporting the specimen at its transverse fundamental node locations ($0.224 L$ from each end). In torsional modes the specimen should be supported at its center point. The supports should have minimal



- 1—Cylindrical glass jar
- 2—Glass wool
- 3—Plastic foam
- 4—Vacuum jar
- 5—Heater disk
- 6—Copper plate
- 7—Thermocouple
- 8—Sample
- 9—Suspension wires
- 10—Fill port for liquid

FIG. 2 Detail Drawing of a Typical Cryogenic Chamber

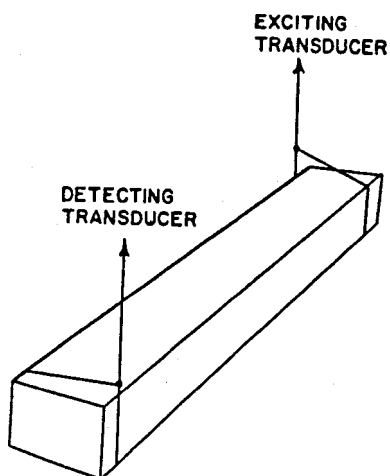


FIG. 3 Specimen Positioned for Measurement of Flexural and Torsional Resonant Frequencies Using Thread or Wire Suspension

area in contact with the specimen and shall be cork, rubber, or similar material. In order to properly identify resonant frequencies, the transducers should be movable along the total specimen length and width. (See Fig. 4.) The transducer contact pressure should be consistent with good response and minimal interference with the free vibration of the specimen.

8. Test Specimen

8.1 Prepare the specimens so that they are either rectangular or circular in cross section. Either geometry can be used to measure both dynamic Young's modulus and dynamic shear modulus. However, experimental difficulties in obtaining torsional resonant frequencies for a cylindrical specimen usually preclude its use in determining shear modulus, although the equations for computing shear modulus with a cylindrical specimen are both simpler and more accurate than those used with a rectangular bar.

8.2 Resonant frequencies for a given specimen are functions of the bar dimensions as well as its mass and moduli; therefore, dimensions should be selected with this relationship in mind. Make selection of size so that, for an estimated modulus, the resonant frequencies measured will fall within the range of frequency response of the transducers used. A slender rod with a ratio of length to minimum cross-sectional dimension greater than ten and approximately 25 is preferred for ease in calcu-

lation. For shear modulus measurements of rectangular bars, a ratio of width to thickness of five is recommended for minimizing experimental difficulties. Suitable rectangular specimen dimensions are: 75 mm in length, 15 mm in width, and 3 mm in thickness. Suitable cylindrical rod dimensions are: 125 mm in length and 6 mm in diameter.

8.2.1 These specimen sizes should produce a fundamental flexural resonant frequency in the range from 1000 to 10 000 Hz and a fundamental torsional resonant frequency in the range from 10 000 to 30 000 Hz. (Typical values of Young's modulus for different advanced ceramics are 360 GPa (52×10^6 psi) for alumina (99 %), 300 GPa (43×10^6 psi) for silicon nitride, 430 GPa (62×10^6 psi) for silicon carbide, and 200 GPa (29×10^6 psi) for zirconia.) Specimens shall have a minimum mass of 5 g to avoid coupling effects; any size of specimen that has a suitable length-to-cross section ratio in terms of frequency response and meets the mass minimum may be used. Maximum specimen size and mass are determined primarily by the mechanical driving power of the test system and the limitations of the experimental configuration.

8.3 Finish the surfaces of the specimen using a fine grind (400 grit or finer). All surfaces on the rectangular specimen shall be flat. Opposite surfaces across the length and width shall be parallel within 0.01 mm or ± 0.1 % whichever is greater. Opposite surfaces across the thickness shall be parallel within 0.002 mm or ± 0.1 % whichever is greater. The cylindrical specimen shall be round and constant in diameter within 0.002 mm or ± 0.1 % whichever is greater.

8.4 Dry the specimen in air at 120°C in a drying oven until the mass is constant (less than 0.1 % or 10 mg difference in mass with 30 min of additional drying).

8.5 It is recommended that the laboratory obtain and maintain an internal reference specimen with known and recorded fundamental resonant frequencies in flexure and torsion. The reference specimen must meet the size, dimensional tolerances, and surface finish requirements of Section 8. The reference specimen should be used to check and confirm the operation of the test system on a regular basis. It can also be used to train operators in the proper test setup and signal analysis techniques. The reference specimen can be a standard ceramic (alumina, silicon carbide, zirconia, etc.) or metal material, or it may be of a similar size, composition, properties, and microstructure to the types of ceramic specimens commonly tested at the laboratory.

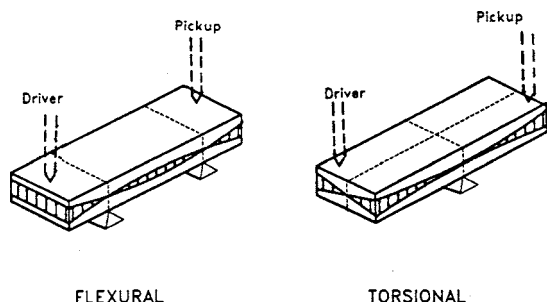


FIG. 4 Specimen Positioned for Measurement of Flexural and Torsional Resonant Frequencies Using Direct Support and Direct Contact Transducers

9. Procedure

9.1 Procedure A—Room-Temperature Testing:

9.1.1 Switch on all electrical equipment and allow to stabilize in accordance with the manufacturer's recommendations.

9.1.2 The dimensions and mass of the test specimen must be measured and recorded, either before or after the test. Measure the mass to an accuracy of ± 10 mg or ± 0.1 % (whichever is greater). Measure the length of the test specimen to an accuracy of ± 0.01 mm or ± 0.1 % (whichever is greater). For rectangular rods measure the width dimensions to an accuracy of ± 0.01 mm or ± 0.1 % (whichever is greater) and the

thickness to an accuracy of ± 0.002 mm or ± 0.1 % (whichever is greater). Measure the width and thickness at three equally spaced locations along the length and determine the average for each dimension. For cylindrical rods measure the diameter to an accuracy of ± 0.002 mm or ± 0.1 % (whichever is greater) at three equally spaced locations along the length and determine the average of the three measurements.

9.1.3 *Flexural Resonance*

9.1.3.1 Suspend or support the specimen and position the transducers to induce and detect flexural resonance, as shown in Fig. 3 or Fig. 4.

9.1.3.2 Activate the oscillator and the driving transducer with sufficient power to excite the desired vibration in the test specimen. Set the gain of the detector circuit high enough to detect vibration in the specimen and to display it on the oscilloscope screen with sufficient amplitude to measure accurately the frequency at which the signal amplitude is maximized. Adjust the oscilloscope so that a sharply defined horizontal baseline exists when the specimen is not excited.

9.1.3.3 Scan frequencies with the audio oscillator until specimen flexural resonance is indicated by a sinusoidal pattern of maximum amplitude on the oscilloscope or by a single closed loop Lissajous pattern. (It is recommended that the frequency scan start at a low frequency and then increase.)

9.1.3.4 To verify that the measured frequency is fundamental and not an overtone, identify either the node/anti-node locations or one or more overtones (see Note 1).

NOTE 1—The proper identification of the fundamental flexural mode is important as spurious frequencies inherent in the system may interfere, especially when greater excitation power and detection sensitivity are required for work with a specimen that has a poor response. The location of the nodes for the fundamental and the first four overtones are indicated in Fig. 5. One method to locate the nodes on the specimen is to move the detector along the length of the specimen; a node is indicated when the output amplitude goes to zero. An anti-node is indicated when the output amplitude reaches a local maximum. Another node location method (used often with string suspensions) is to lay a thin rod across the specimen at a presumed node or anti-node location. If the output amplitude is not affected, then the rod is on a node; if the output amplitude goes to zero, then the location is an anti-node. When several resonant flexural frequencies have been identified, the lowest frequency can be verified as the fundamental, if the numerical ratios of the first three overtone frequencies to the lowest frequency are: 2.7, 5.4, and 8.9. Note that these ratios are for a Bernoulli-Euler (simple) beam under ideal conditions. Typically the ratios will be slightly lower.

9.1.3.5 It is recommended to do three (3) repetitions of the test to verify the repeatability and precision of the frequency measurement.

9.1.4 *Torsional Resonance*

9.1.4.1 If a determination of the shear modulus is desired, offset the specimen supports/suspensions and/or transducer positions so that the torsional mode of vibration may be induced and detected. (See Fig. 3 and Fig. 4.)

9.1.4.2 Using the same method described in 9.1.3.2-9.1.3.4, find and verify the fundamental torsional resonant frequency. (see Note 2.)

NOTE 2—Identification of the fundamental torsional mode is based on the same approaches (Note 1) used in identifying the flexural modes, node identification or frequency ratios, or both. Fig. 5 locates the node positions for torsional vibrations. The ratios of the first three torsional overtones to the fundamental torsional frequency are 2, 3, and 4.

9.1.4.3 It is recommended to do three (3) repetitions of the test to verify the repeatability and precision of the frequency measurement.

9.2 *Procedure B—Elevated-Temperature Testing*

Determine the mass, dimensions, and resonant frequencies at room temperature in air as outlined in 9.1. Place the specimen in the furnace and adjust the driver-detector system so that all the frequencies to be measured can be detected without further adjustment. Determine the resonant frequencies at room temperature in the furnace cavity with the furnace doors closed, etc., as will be the case at elevated temperatures. Heat the furnace at a controlled rate that does not exceed 150°C/h. Take data at 25° intervals or at 15 min intervals as dictated by heating rate and specimen composition. Follow the change in resonant frequencies with time and temperature closely to avoid losing the identity of each frequency. (The overtones in flexure and the fundamental in torsion may be difficult to differentiate if not followed closely; spurious frequencies inherent in the system may also appear at temperatures above 600°C using certain types of suspensions, particularly wire.) If desired, data may also be taken on cooling. It must be remembered, however, that high temperatures may alter the specimen either reversibly or permanently (for example, phase change, devitrification, or microcracking). Such potential changes should be considered in planning the range of test temperatures and in interpreting test results as a function of temperature. Dimensions and mass of the specimen should be measured both before and after the test to check for permanent thermal effects. Measurements should be made to the precision described in 9.1.

9.3 *Procedure C—Cryogenic Testing*

Determine the mass and dimensions of the test specimen in accordance with 9.1. Measure the resonant frequencies at room temperature in the cryogenic chamber to establish a baseline, as outlined in 9.1. Take the chamber to the minimum temperature desired (Cooling rate should not exceed 50°C/h) (see Note 3). Resonant frequency testing can be done (in accordance with 9.1) as the specimen is cooled. Allow the specimen to stabilize at the minimum temperature for at least 15 min prior to end-point testing. Resonant frequency measurements should be made as described in 9.1. Dimensions and mass of the specimen should

HARMONIC	FLEXURAL	FRACTIONAL DISTANCE FROM END
		FOR EACH NODAL LOCATION
1F		0.224
2F		0.132, 0.500
3F		0.0944, 0.3558, 0.500
4F		0.0733, 0.277, 0.500, 0.727
5F		0.060, 0.224, 0.409, 0.500, 0.689
TORSIONAL		
1T		0.500
2T		0.250, 0.750
3T		0.167, 0.500, 0.833
4T		0.125, 0.375, 0.625, 0.875

FIG. 5 Dynamic Modulus Resonant Modes and Nodal Locations Tracking Guide Template