
INTERNATIONAL STANDARD



2378

INTERNATIONAL ORGANIZATION FOR STANDARDIZATION • МЕЖДУНАРОДНАЯ ОРГАНИЗАЦИЯ ПО СТАНДАРТИЗАЦИИ • ORGANISATION INTERNATIONALE DE NORMALISATION

Aluminium alloy chill castings — Reference test bar

First edition — 1972-03-15

iTeh STANDARD PREVIEW
(standards.iteh.ai)

[ISO 2378:1972](#)

<https://standards.iteh.ai/catalog/standards/sist/6caf7aab-c085-463c-bb2b-b92ec3e440aa/iso-2378-1972>



UDC 669.715-143 : 620-113

Ref. No. ISO 2378-1972 (E)

Descriptors : aluminium alloys, castings, chill casting, test specimens.

FOREWORD

ISO (the International Organization for Standardization) is a worldwide federation of national standards institutes (ISO Member Bodies). The work of developing International Standards is carried out through ISO Technical Committees. Every Member Body interested in a subject for which a Technical Committee has been set up has the right to be represented on that Committee. International organizations, governmental and non-governmental, in liaison with ISO, also take part in the work.

Draft International Standards adopted by the Technical Committees are circulated to the Member Bodies for approval before their acceptance as International Standards by the ISO Council.

International Standard ISO 2378 was drawn up by Technical Committee ISO/TC 79, *Light metals and their alloys*.

(standards.iteh.ai)

It was approved in August 1971 by the Member Bodies of the following countries:

Austria
Belgium
Denmark
Egypt, Arab Rep. of
Finland
France
Hungary
India

Israel
Italy
Japan
Netherlands
New Zealand
Norway
Portugal
Romania

ISO 2378:1972

South Africa, Rep. of

Sweden

Switzerland

Thailand

Turkey

U.S.A.

U.S.S.R.

The Member Bodies of the following countries expressed disapproval of the document on technical grounds:

Germany
Poland
United Kingdom

Aluminium alloy chill castings – Reference test bar

1 SCOPE AND FIELD OF APPLICATION

This International Standard specifies the dimensions of a mould to be used for the production of reference test bars for aluminium alloy chill castings.

2 DIMENSIONS

Reference test bars shall be chill cast in moulds having the dimensions shown in millimetres in Figure 1 and in inches in Figure 2.

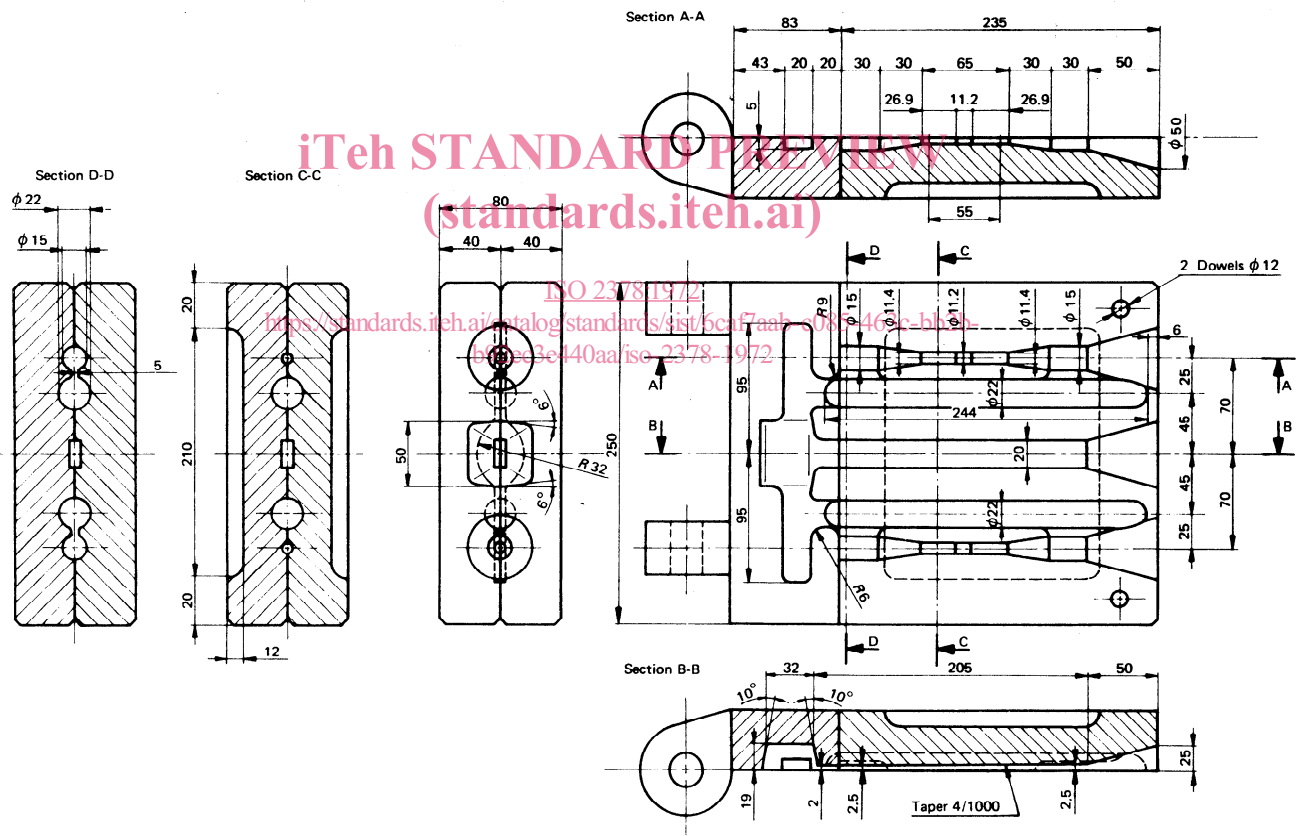


FIGURE 1 – Mould for reference test bars – Dimensions in millimetres

