



SLOVENSKI STANDARD

oSIST prEN 50419:2021

01-december-2021

Označevanje električne in elektronske opreme glede na ločeno zbiranje odpadkov EEE (WEEE)

Marking of electrical and electronic equipment (EEE) in respect to separate collection of
waste EEE (WEEE)

iTeh STANDARD PREVIEW
(standards.iteh.ai)

Ta slovenski standard je istoveten z: **oSIST prEN 50419:2021 prEN 50419:2021**

<https://standards.iteh.ai/catalog/standards/sist/8a16fc89-66ca-4969-9c96-39befb5edd7d/osist-pren-50419-2021>

ICS:

| | | |
|-----------|------------------------------------|---|
| 01.080.20 | Grafični simboli za posebno opremo | Graphical symbols for use on specific equipment |
| 13.030.30 | Posebni odpadki | Special wastes |
| 29.020 | Elektrotehnika na splošno | Electrical engineering in general |
| 31.020 | Elektronske komponente na splošno | Electronic components in general |

oSIST prEN 50419:2021

en

iTeh STANDARD PREVIEW
(standards.iteh.ai)

[oSIST prEN 50419:2021](#)

<https://standards.iteh.ai/catalog/standards/sist/8a16fc89-66ca-4969-9c96-39befb5edd7d/osist-pren-50419-2021>

EUROPEAN STANDARD
NORME EUROPÉENNE
EUROPÄISCHE NORM

DRAFT
prEN 50419

October 2021

ICS

Will supersede EN 50419:2006 and all of its
amendments and corrigenda (if any)

English Version

Marking of electrical and electronic equipment (EEE) in respect to separate collection of waste EEE (WEEE)

Marquage des équipements électriques et électroniques
conformément à la collecte séparée des déchets EEE
(DEEE)

Kennzeichnung von Elektro- und Elektronikgeräten für eine
getrennte Sammlung von Elektro- und Elektronik-Altgeräten

This draft European Standard is submitted to CENELEC members for enquiry.
Deadline for CENELEC: 2021-12-31.

It has been drawn up by CLC/TC 111X.

If this draft becomes a European Standard, CENELEC members are bound to comply with the CEN/CENELEC Internal Regulations which stipulate the conditions for giving this European Standard the status of a national standard without any alteration.

This draft European Standard was established by CENELEC in three official versions (English, French, German).

A version in any other language made by translation under the responsibility of a CENELEC member into its own language and notified to the CEN-CENELEC Management Centre has the same status as the official versions.

CENELEC members are the national electrotechnical committees of Austria, Belgium, Bulgaria, Croatia, Cyprus, the Czech Republic, Denmark, Estonia, Finland, France, Germany, Greece, Hungary, Iceland, Ireland, Italy, Latvia, Lithuania, Luxembourg, Malta, the Netherlands, Norway, Poland, Portugal, Republic of North Macedonia, Romania, Serbia, Slovakia, Slovenia, Spain, Sweden, Switzerland, Turkey and the United Kingdom.

Recipients of this draft are invited to submit, with their comments, notification of any relevant patent rights of which they are aware and to provide supporting documentation.

Warning : This document is not a European Standard. It is distributed for review and comments. It is subject to change without notice and shall not be referred to as a European Standard.



European Committee for Electrotechnical Standardization
Comité Européen de Normalisation Electrotechnique
Europäisches Komitee für Elektrotechnische Normung

CEN-CENELEC Management Centre: Rue de la Science 23, B-1040 Brussels

| Contents | Page |
|---|-------------|
| European foreword | 3 |
| Introduction | 4 |
| 1 Scope | 5 |
| 2 Normative references | 5 |
| 3 Terms and definitions | 5 |
| 4 Marking | 6 |
| 4.1 Requirements of marking of EEE..... | 6 |
| 4.1.1 Unique identification of the producer..... | 6 |
| 4.1.2 Identification of date of put on the market for financial differentiation needs of WEEE | 6 |
| 4.1.3 Marking that the EEE is subject to separate WEEE collection | 7 |
| 4.2 Design of the marking | 7 |
| 4.2.1 Integrated marking | 7 |
| Figure 1 — Marking of electrical and electronic equipment as required by 4.1 b) 2) | 8 |
| 4.2.2 Separate markings..... | 9 |
| Figure 2 — Crossed-out wheeled bin symbol..... | 9 |
| 4.2.3 General marking design requirements..... | 9 |
| 4.2.4 Location of the marking | 9 |
| Bibliography | 10 |

[oSIST prEN 50419:2021](https://standards.iteh.ai/catalog/standards/sist/8a16fc89-66ca-4969-9c96-39befb5edd7d/osist-pren-50419-2021)
<https://standards.iteh.ai/catalog/standards/sist/8a16fc89-66ca-4969-9c96-39befb5edd7d/osist-pren-50419-2021>

European foreword

This document (prEN 50419:2021) has been prepared by CLC/TC 111X “*Environment*”.

This document is currently submitted to the CENELEC Enquiry.

The following dates are proposed:

- latest date by which the existence of this document has to be announced at national level (doa) dor + 6 months
- latest date by which this document has to be implemented at national level by publication of an identical national standard or by endorsement (dop) dor + 12 months
- latest date by which the national standards conflicting with this document have to be withdrawn (dow) dor + 36 months (to be confirmed or modified when voting)

This document will supersede EN 50419:2006 and all of its amendments and corrigenda (if any).

EN 50419:2021 includes the following significant technical changes with respect to EN 50419:2006:

- The previous edition specified the marking requirements as described in 2002/96/EC (WEEE) and directly refers to this Directive. 2002/96/EC (WEEE) which was meanwhile replaced by 2012/19/EU (WEEE, recast). This European Standard presents the marking requirements independent from a regulation version.
- The revision clarifies the different possibilities of use the crossed-out wheeled bin combined with the black bar and / or manufacturing date.

This document has been prepared under mandate M/336 given to CENELEC by the European Commission and the European Free Trade Association, and supports the essential requirements of Directive 2012/19/EU.

Introduction

This document aims to assist the marking of electrical and electronic equipment (EEE) with a view to minimizing the disposal of waste EEE (WEEE) as unsorted waste and to facilitating its separate collection. For this purpose it specifies the different possibilities to use the crossed-out wheeled bin symbol combined with the black bar and / or manufacturing date supporting the identification when the equipment was put on the market.

This document supports the respective essential requirements of Directive 2012/19/EU (WEEE, recast). This standard does not constitute a request for design change for existing products specified to meet the previous edition of the standard or the former Directive 2002/96/EC (WEEE).

This document supports the objectives of the Community's environment policy. These aim to preserve, protect and improve the quality of the environment, protect human health and utilize natural resources prudently and rationally.

iTeh STANDARD PREVIEW (standards.iteh.ai)

[oSIST prEN 50419:2021](https://standards.iteh.ai/catalog/standards/sist/8a16fc89-66ca-4969-9c96-39befb5edd7d/osist-pren-50419-2021)

<https://standards.iteh.ai/catalog/standards/sist/8a16fc89-66ca-4969-9c96-39befb5edd7d/osist-pren-50419-2021>

1 Scope

This document specifies a marking

- of electrical and electronic equipment (EEE) with a view to minimizing the disposal of waste EEE (WEEE) as unsorted waste and to facilitating its separate collection.

NOTE 1 This is in accordance with Article 14(4) of Directive 2012/19/EU (WEEE, recast);

- that serves to clearly identify the producer of the equipment and
- that the equipment has been put on the market after 13 August 2005.

NOTE 2 This is in accordance with Articles 12(3) and 15(2) of Directive 2012/19/EU (WEEE, recast);

- that applies to categories of electrical and electronic equipment subject to WEEE collection, treatment, recovery and environmentally sound disposal as defined by European and national regulations, provided the equipment concerned is not part of another type of equipment that does not fall within the scope of above mentioned regulations.

NOTE 3 This is in accordance with Article 2 and Annexes I – IV of Directive 2012/19/EU (WEEE, recast) [1]

The definition of a technical carrier medium for machine based identifying the producer, such as a barcode, electronic data medium or microchip, is not covered by this document.

2 Normative references

The following documents are referred to in the text in such a way that some or all of their content constitutes requirements of this document. For dated references, only the edition cited applies. For undated references, the latest edition of the referenced document (including any amendments) applies.

ISO 8601, *Date and time — Representations for information interchange*

3 Terms and definitions

For the purposes of this document, the following terms and definitions apply.

ISO and IEC maintain terminological databases for use in standardization at the following addresses:

- ISO Online browsing platform: available at <https://www.iso.org/obp>
- IEC Electropedia: available at <https://www.electropedia.org/>

3.1

electrical and electronic equipment (EEE)

equipment which is dependent on electric currents or electro-magnetic fields in order to work properly and equipment for the generation, transfer and measurement of such currents and fields and designed for use with a voltage rating not exceeding 1000 V for alternating current and 1500 V for direct current

[SOURCE: Directive 2012/19/EU, Art. 3.1 (a)]

FprEN 50419:2021 (E)**3.2****producer**

any natural or legal person who, irrespective of the selling technique used, including distance communication

Note 1 to entry: This definition is within the meaning of Directive 97/7/EC of the European Parliament and of the Council of 20 May 1997 on the protection of consumers in respect of distance contracts:

- a) is established in a Member State and manufactures EEE under his own name or trademark, or has EEE designed or manufactured and markets it under his name or trademark within the territory of that Member State;
- b) is established in a Member State and resells within the territory of that Member State, under his own name or trademark, equipment produced by other suppliers, a reseller not being regarded as the 'producer' if the brand of the producer appears on the equipment, as provided for in point (a);
- c) is established in a Member State and places on the market of that Member State, on a professional basis, EEE from a third country or from another Member State; or
- d) sells EEE by means of distance communication directly to private households or to users other than private households in a Member State, and is established in another Member State or in a third country.

[SOURCE: Directive 2012/19/EU, Art. 3.1 (f)]

4 Marking**4.1 Requirements of marking of EEE****4.1.1 Unique identification of the producer**

In order to identify the producer a unique identification of the producer in the form of a brand name, trademark, company registration number or other suitable means to identify the producer shall be provided on the EEE. Whichever option is chosen, this shall be recorded in member state's register of producers.

NOTE This is in accordance with Articles 3.1 (f) and 16(1) of Directive 2012/19/EU (WEEE, recast).

4.1.2 Identification of date of put on the market for financial differentiation needs of WEEE

EEE put on the market after 13 August 2005 shall be identified by at least one of the following options:

- a) the date of manufacture/put on the market, in un-coded text in accordance with ISO 8601 or other coded text, for which the code shall be made available for treatment facilities.

When using the representation of date according to ISO 8601, it is permitted to omit higher order components (truncation), if there is no risk of confusing these truncated representations with others;

- b) marking as shown in Figure 1 being an additional mark used in conjunction with the crossed-out wheeled bin.

NOTE 1 This is in accordance with Articles 12(3) and 15(2) of Directive 2012/19/EU (WEEE, recast).

NOTE 2 The symbol of the crossed-out wheeled bin is provided in Annex IX of Directive 2012/19/EU and is required under Articles 14(4) and 15(2) of this Directive.

4.1.3 Marking that the EEE is subject to separate WEEE collection

The user of the EEE shall be informed by an appropriate mark as described in 4.2 to facilitate that this EEE is subject to separate waste collection with a view to minimizing the disposal of waste EEE (WEEE) as unsorted municipal waste.

NOTE This is in accordance with Article 14(4) and Annex IX of Directive 2012/19/EU (WEEE, recast);

4.2 Design of the marking

4.2.1 Integrated marking

The marking of a crossed-out wheeled bin in combination with an additional bar under it shown in Figure 1 allows meeting the marking requirements described in 4.1.2 (b) and 4.1.3 by one integrated marking.

NOTE This is in accordance with Articles 14(4), 15(2) and Annex IX of Directive 2012/19/EU (WEEE, recast);

The additional marking referred to in 4.1.2 (b) shall consist of a solid bar, the height of which equals h and the width of which equals $1,2 a$. The height (h) of the bar shall be the greater of $0,3 a$ or 1 mm. The bar shall only be used in conjunction with the crossed-out wheeled bin. The bar shall not contain any text or any kind of additional information.

The symbol combination shown in Figure 1 shall have a minimum height of 7 mm ($a = 3,33$ mm).

NOTE 2 The dimension of 7 mm provides a vertical dimension of 5 mm for the crossed-out wheeled bin symbol, which is the same minimum dimension as provided for in EN 61429:1996/A11:1998 and for the CE mark according to the Directive 93/68/EEC. This also equates to a maximum reading distance of 50 cm of the crossed-out wheeled bin symbol for the minimum symbol height of 5 mm as derived from EN 80416-3:2002 Clause 5.

The dimensional relationship shown in Figure 1 shall be maintained.

[oSIST prEN 50419:2021](https://standards.iteh.ai/catalog/standards/sist/8a16fc89-66ca-4969-9c96-39befb5edd7d/osist-pren-50419-2021)

<https://standards.iteh.ai/catalog/standards/sist/8a16fc89-66ca-4969-9c96-39befb5edd7d/osist-pren-50419-2021>

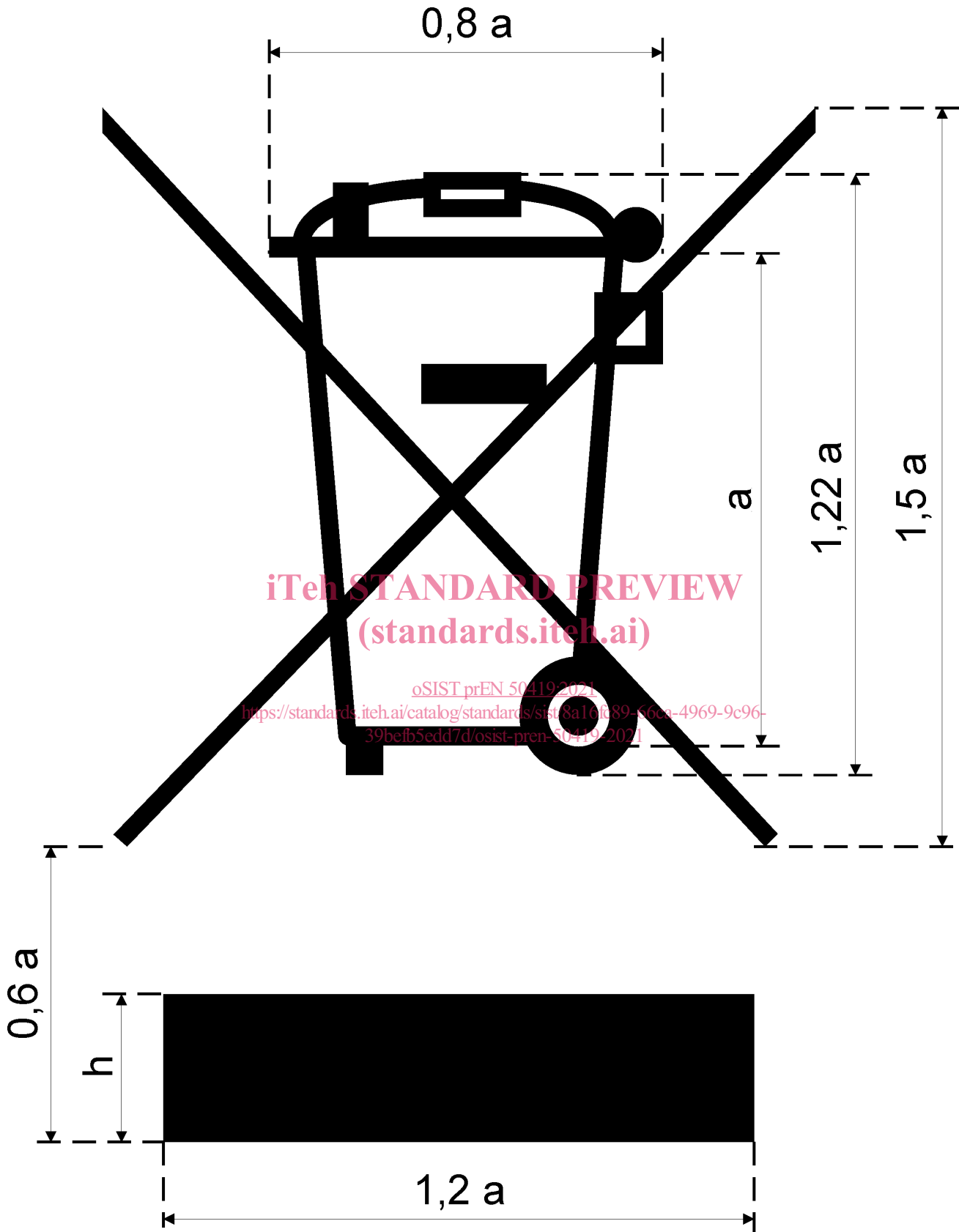


Figure 1 — Marking of electrical and electronic equipment as required by 4.1 b) 2)