



Designation: ~~D953-02~~ Designation: D953 - 09

Standard Test Method for Bearing Strength of Plastics¹

This standard is issued under the fixed designation D953; the number immediately following the designation indicates the year of original adoption or, in the case of revision, the year of last revision. A number in parentheses indicates the year of last reapproval. A superscript epsilon (ϵ) indicates an editorial change since the last revision or reapproval.

This standard has been approved for use by agencies of the Department of Defense.

1. Scope

~~1.1 This test method covers the determination of the bearing strength of rigid plastics in either sheet or molded form. Procedure A is applicable for tension loading and Procedure B for compression loading.*~~

1.1 This test method covers the determination of the bearing strength of rigid plastics in either sheet form, molded form, or in thermoset pultruded form. Procedure A is applicable for tension loading and Procedure B for compression loading.

1.2 Test data obtained by this test method is relevant and appropriate for use in engineering design.

1.3 The values stated in SI units are to be regarded as the standard. The values given in parentheses are for information only.

1.4 *This standard does not purport to address all of the safety concerns, if any, associated with its use. It is the responsibility of the user of this standard to establish appropriate safety and health practices and determine the applicability of regulatory limitations prior to use.*

NOTE 1—There is no known ISO equivalent to this standard.

2. Referenced Documents

2.1 *ASTM Standards:*²

D618 [Practice for Conditioning Plastics for Testing](#)

D883 [Terminology Relating to Plastics](#)

D4000 [Classification System for Specifying Plastic Materials](#)³

D4066 [Classification System for Nylon Injection and Extrusion Materials \(PA\)](#)

D4805 [Terminology for Plastics Standards](#) 5947 [Test Methods for Physical Dimensions of Solid Plastics Specimens](#)

E4 [Practices for Force Verification of Testing Machines](#)

E6 [Terminology Relating to Methods of Mechanical Testing](#)

3. Terminology

3.1 *Definitions*—For definitions of technical terms pertaining to plastics used in this test method, see Terminology D883 or Terminology D4805.

3.2 *Definitions of Terms Specific to This Standard:*³

3.2.1 *bearing area*—the diameter of the hole multiplied by the thickness of the specimen.

3.2.2 *bearing strength*—the bearing stress at which the bearing hole is deformed 4 % of its diameter.

3.2.3 *bearing stress*—the applied load in newtons (or pounds-force) divided by the bearing area in mm² (or in²).

3.2.4 *edge distance ratio*—the distance from the center of the bearing hole to the edge of the specimen in the direction of the principal stress, divided by the diameter of the hole.

3.2.5 *maximum bearing stress*—the maximum load in newtons (or pounds-force) sustained by the specimen, divided by the bearing area.

4. Significance and Use

4.1 This bearing strength test for plastics is intended to apply in the specification of various thermoplastic or thermosetting products in sheet form where rivets, bolts, or similar fastenings are to be used in joining members or sections. It also is intended

¹ This test method is under the jurisdiction of ASTM Committee D20 on Plastics and is the direct responsibility of Subcommittee D20.10 on Mechanical Properties. Current edition approved April 10, 2002. Published June 2002. Originally published as D953-48T. Last previous edition D953-95. DOI: 10.1520/D0953-02. Current edition approved Nov. 15, 2009. Published December 2009. Originally approved in 1948. Last previous edition approved in 2002 as D953-02. DOI: 10.1520/D0953-09.

² For referenced ASTM standards, visit the ASTM website, www.astm.org, or contact ASTM Customer Service at service@astm.org. For *Annual Book of ASTM Standards* Vol 08.01, volume information, refer to the standard's Document Summary page on the ASTM website.

³ Annual Book of ASTM Standards, Vol 08.02.

³ Attention is also directed to Terminology E6.

*A Summary of Changes section appears at the end of this standard.

to apply wherever sheet materials of the classes indicated are required to sustain edgewise loads that are applied by means of pins or rods of circular cross section which pierce the sheet perpendicular to the surface.

4.2 The purpose of the test is to determine the bearing strength of the material and to show the bearing stress versus the deformation of the hole. The allowable deformation of the hole in the material should be such as to produce no looseness of joints.

4.3 While it is a known fact that higher strength materials will generally give higher bearing strengths, there is no satisfactory method by which bearing strength may be estimated from tensile or compressive properties of the material.

4.4 Before proceeding with this test method, reference should be made to the specification of the material being tested. Any test specimen preparation, conditioning, dimensions or testing parameters or combination thereof covered in the relevant ASTM materials specification shall take precedence over those in this test method. If there are no relevant ASTM material specifications then the default conditions apply.

5. Apparatus

5.1 *Testing Machine*—A properly calibrated universal testing machine that can be operated at a speed of 1.3 ± 0.3 mm (0.05 \pm 0.01 in.)/min, except that in cases of certain types of material it may be necessary to operate at a slower speed. The percentage of error of the testing machine shall be no more than ± 1 % of the applied load as determined in accordance with Practices E4.

5.2 *Tension Loading Fixture*—A three-plate fixture of hardened steel similar to that shown in Fig. 1.

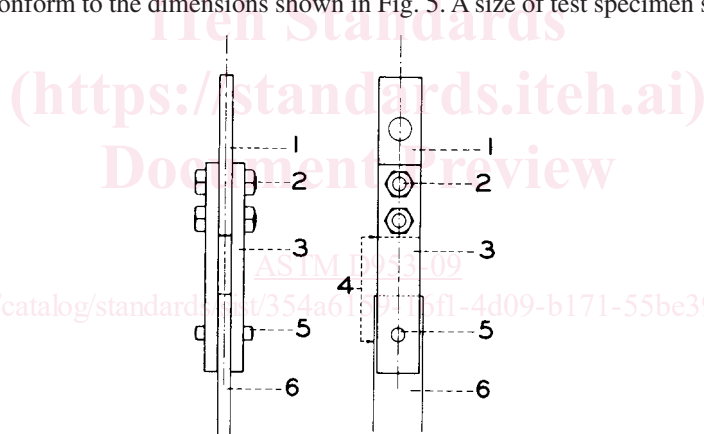
5.3 *Extension Indicator*—A suitable instrument reading in 0.0025 mm (0.0001 in.) for indicating the movement of the free end of the specimen with relation to the bearing pin in the tension loading fixture. A dial gage fitted with accessories for this purpose is shown in Fig. 2.

5.4 *Compression Loading Fixture*—A type of support with a suitable bearing pin similar to Fig. 3.

5.5 *Compression Indicator*—A suitable instrument reading to 0.0025 mm (0.0001 in.) for indicating the movement of the free end of the specimen with relation to the bearing pin in the compression loading fixture. A suggested dial gage assembly for this purpose is shown in Fig. 4.

6. Test Specimens

6.1 The test specimens shall conform to the dimensions shown in Fig. 5. A size of test specimen shall be chosen that most nearly



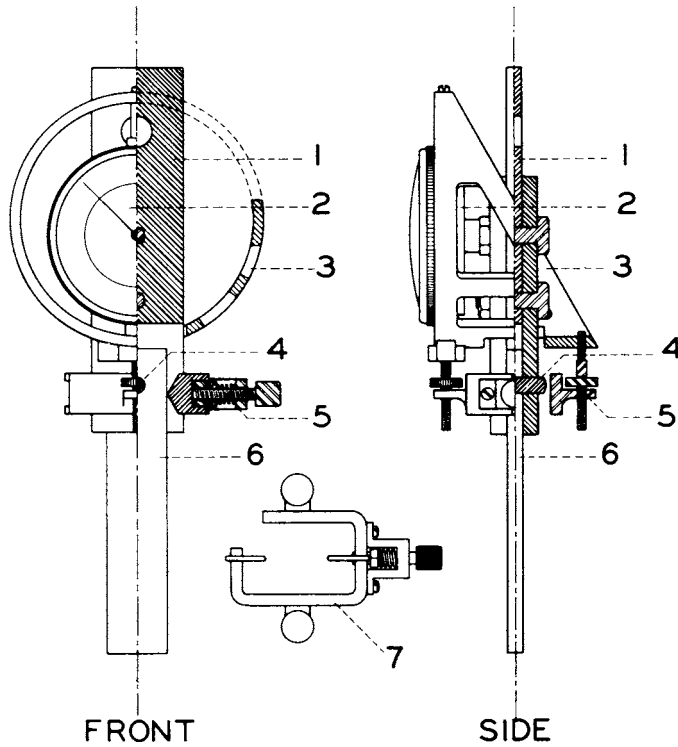
- 1—Hardened spacer plate.
- 2—6.3-mm (-in.) steel bolts in reamed holes.
- 3—Hardened side plate.
- 4—Extensometer span.
- 5—Hardened steel pin in reamed hole.
- 6—Test specimen.

Note—Critical dimensions are as follows:

Type	Bearing Hole Diameter, mm (in.)	Bearing Pin Diameter, mm (in.)	Thickness of Spacer Plate, mm ⁴ (in.)
I	3.175 + 0.025	3.150 + 0.000	3.2
	- 0.000	- 0.025	
	(0.125 + 0.0010	(0.124 + 0.0000	(1/8)
II	- 0.0000)	- 0.0010)	
	6.350 + 0.025	6.325 + 0.000	6.3
	- 0.000	- 0.025	
	(0.250 + 0.0010	(0.249 + 0.0000	(1/4)
	- 0.0000)	- 0.0010)	

⁴ The spacer plate shall be shimmed to a thickness of 0.025 to 0.125 mm (0.001 to 0.005 in.) greater than the specimen under test.

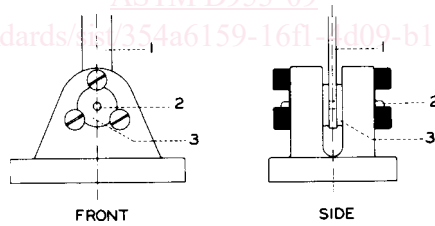
FIG. 1 Steel Tension Loading Fixture



- 1—Spacer plate.
- 2—Dial gage.
- 3—Double foot ring mounted on spindle of dial gage.
- 4—Bearing pin.
- 5—Yoke mounted on specimen.
- 6—Test specimen.
- 7—Plan view of yoke.

FIG. 2 Tension Loading Assembly

<https://standards.iteh.ai/catalog/standards/astm-d953-09/354a6159-16f1-d09-b171-55bc391b1893/astm-d953-09>



- 1—Test specimen.
- 2—Hardened steel pin.
- 3—Hardened thrust bushing.

Note—Critical dimensions are as follows:

Type	Bearing Hole Diameter, mm (in.)	Bearing Pin Diameter, mm (in.)	Minimum Clearance Between Bushings, mm (in.)
I	3.175 + 0.025 - 0.000	3.150 + 0.000 - 0.025	2.8
	(0.125 + 0.0010 - 0.0000)	(0.124 + 0.0000 - 0.0010)	(7/64)
II	6.350 + 0.025 - 0.000	6.325 + 0.000 - 0.025	6.0
	(0.250 + 0.0010 - 0.0000)	(0.249 + 0.0000 - 0.0010)	(15/64)

FIG. 3 Steel Compression Loading Fixture