

# DRAFT INTERNATIONAL STANDARD

## ISO/DIS 22042

ISO/TC 86/SC 7

Secretariat: UNI

Voting begins on:  
2020-03-17

Voting terminates on:  
2020-06-09

---

---

## Blast chillers and freezers cabinets for professional use — Classification, requirements and test conditions

ICS: ISO ics

**iTeh STANDARD PREVIEW**  
(standards.iteh.ai)  
Full standard:  
<https://standards.iteh.ai/catalog/standards/sist/b001873c-dcf6-4d81-a4c1-4c463fe1dba5/iso-dis-22042>

THIS DOCUMENT IS A DRAFT CIRCULATED FOR COMMENT AND APPROVAL. IT IS THEREFORE SUBJECT TO CHANGE AND MAY NOT BE REFERRED TO AS AN INTERNATIONAL STANDARD UNTIL PUBLISHED AS SUCH.

IN ADDITION TO THEIR EVALUATION AS BEING ACCEPTABLE FOR INDUSTRIAL, TECHNOLOGICAL, COMMERCIAL AND USER PURPOSES, DRAFT INTERNATIONAL STANDARDS MAY ON OCCASION HAVE TO BE CONSIDERED IN THE LIGHT OF THEIR POTENTIAL TO BECOME STANDARDS TO WHICH REFERENCE MAY BE MADE IN NATIONAL REGULATIONS.

RECIPIENTS OF THIS DRAFT ARE INVITED TO SUBMIT, WITH THEIR COMMENTS, NOTIFICATION OF ANY RELEVANT PATENT RIGHTS OF WHICH THEY ARE AWARE AND TO PROVIDE SUPPORTING DOCUMENTATION.

This document is circulated as received from the committee secretariat.

**ISO/CEN PARALLEL PROCESSING**



Reference number  
ISO/DIS 22042:2020(E)

© ISO 2020

**iTeh STANDARD PREVIEW**  
(standards.iteh.ai)  
Full standard:  
<https://standards.iteh.ai/catalog/standards/sist/b001873c-dcf6-4d81-a4c1-4c463fe1dba5/iso-dis-22042>



**COPYRIGHT PROTECTED DOCUMENT**

© ISO 2020

All rights reserved. Unless otherwise specified, or required in the context of its implementation, no part of this publication may be reproduced or utilized otherwise in any form or by any means, electronic or mechanical, including photocopying, or posting on the internet or an intranet, without prior written permission. Permission can be requested from either ISO at the address below or ISO's member body in the country of the requester.

ISO copyright office  
CP 401 • Ch. de Blandonnet 8  
CH-1214 Vernier, Geneva  
Phone: +41 22 749 01 11  
Fax: +41 22 749 09 47  
Email: [copyright@iso.org](mailto:copyright@iso.org)  
Website: [www.iso.org](http://www.iso.org)

Published in Switzerland

# Contents

|   | Page      |
|---|-----------|
| Foreword .....  | iv        |
| <b>1 Scope .....</b>  | <b>1</b>  |
| <b>2 Normative references .....</b>   | <b>1</b>  |
| <b>3 Terms and definitions .....</b>  | <b>1</b>  |
| <b>4 Requirements .....</b>   | <b>3</b>  |
| 4.1 Reference temperature and time of test food .....   | 3         |
| 4.2 Test time .....   | 3         |
| <b>5 Test conditions .....</b>  | <b>3</b>  |
| 5.1 Test room .....   | 3         |
| 5.2 Blast cabinet selection, installation and positioning within the test room .....  | 3         |
| 5.3 Blast cabinet operation .....   | 4         |
| 5.4 Power supply .....  | 4         |
| 5.5 Instruments, measuring equipment and measuring accuracy .....   | 4         |
| 5.6 Test load .....   | 5         |
| 5.6.1 Test food .....   | 5         |
| 5.6.2 Test pan loading .....  | 5         |
| 5.6.3 M-pans .....  | 5         |
| 5.6.4 Blast cabinet loading .....   | 6         |
| 5.7 Temperature recording .....   | 6         |
| <b>6 Test procedure for total energy measurement .....</b>  | <b>6</b>  |
| <b>7 Information to be declared .....</b>   | <b>7</b>  |
| <b>Annex A (informative) Information and accessories to be provided by the manufacturer for the correct performance and reproducibility of tests .....</b>                    | <b>8</b>  |
| <b>Annex B (normative) Test pans dimensions .....</b>   | <b>9</b>  |
| <b>Annex ZA (informative) Relationship between this European Standard and the ecodesign requirements of Commission Regulation (EU) No 2015/1095 aimed to be covered .....</b> | <b>11</b> |
| <b>Bibliography .....</b>   | <b>12</b> |

## Foreword

ISO (the International Organization for Standardization) is a worldwide federation of national standards bodies (ISO member bodies). The work of preparing International Standards is normally carried out through ISO technical committees. Each member body interested in a subject for which a technical committee has been established has the right to be represented on that committee. International organizations, governmental and non-governmental, in liaison with ISO, also take part in the work. ISO collaborates closely with the International Electrotechnical Commission (IEC) on all matters of electrotechnical standardization.

The procedures used to develop this document and those intended for its further maintenance are described in the ISO/IEC Directives, Part 1. In particular, the different approval criteria needed for the different types of ISO documents should be noted. This document was drafted in accordance with the editorial rules of the ISO/IEC Directives, Part 2 (see [www.iso.org/directives](http://www.iso.org/directives)).

Attention is drawn to the possibility that some of the elements of this document may be the subject of patent rights. ISO shall not be held responsible for identifying any or all such patent rights. Details of any patent rights identified during the development of the document will be in the Introduction and/or on the ISO list of patent declarations received (see [www.iso.org/patents](http://www.iso.org/patents)).

Any trade name used in this document is information given for the convenience of users and does not constitute an endorsement.

For an explanation of the voluntary nature of standards, the meaning of ISO specific terms and expressions related to conformity assessment, as well as information about ISO's adherence to the World Trade Organization (WTO) principles in the Technical Barriers to Trade (TBT), see [www.iso.org/iso/foreword.html](http://www.iso.org/iso/foreword.html).

This document was prepared by Technical Committee ISO/TC 86, *Refrigeration and air-conditioning*, Subcommittee SC 7, *Testing and rating of commercial refrigerated display cabinets*.

Any feedback or questions on this document should be directed to the user's national standards body. A complete listing of these bodies can be found at [www.iso.org/members.html](http://www.iso.org/members.html).

# Blast chillers and freezers cabinets for professional use — Classification, requirements and test conditions

## 1 Scope

This document specifies the requirements for the verification of performance and energy consumption of blast cabinets for professional use in commercial kitchens, hospitals, canteens, institutional catering and similar professional areas.

The appliances covered by this document are intended to rapidly cool down hot foodstuffs up to a load capacity of 300 kg.

This Standard applies to:

- blast chillers;
- blast freezers;
- multi-use blast chillers/freezers.

The following appliances are not covered:

- roll-in cabinet;
- pass-through cabinet;
- cabinets with remote condensing unit;
- cabinets with water cooled condenser;
- blast chilling and freezing tunnels;
- continuous blast-chilling and blast-freezing equipment;
- bakery combined freezing and storage units.

## 2 Normative references

There are no normative references in this document.

## 3 Terms and definitions

For the purposes of this document, the following terms and definitions apply.

ISO and IEC maintain terminological databases for use in standardization at the following addresses:

- IEC Electropedia: available at <http://www.electropedia.org/>
- ISO Online browsing platform: available at <http://www.iso.org/obp>

### 3.1

#### **blast cabinet**

insulated refrigerating appliance primarily intended to rapidly cool down hot foodstuff

**3.1.1**

**blast chiller**

blast cabinet intended to rapidly cool down hot foodstuff to below +10 °C

**3.1.2**

**blast freezer**

blast cabinet intended to rapidly cool down hot foodstuff to below -18 °C

Note 1 to entry: Blast freezers are also able to operate as blast chillers.

Note 2 to entry: Different full load capacity is claimed depending on the mode of operation for chilling or freezing considered.

**3.2**

**built-in condensing unit**

appliance in which the refrigeration unit is an integral part of the cabinet

**3.3**

**remote condensing unit**

appliance in which the compressors, condensers and liquid receivers (when required) are not supplied with the cabinet

**3.4**

**reach-in blast cabinet**

appliance which can accommodate shelves, trays or pans

**3.5**

**roll-in blast cabinet**

appliance intended to be loaded with trolleys with shelves, trays or pans designed to be introduced as such in the compartment

**3.6**

**pass-through blast cabinet**

equipment in which the cabinet can be loaded and unloaded from both sides

**3.7**

**test food**

reference food used for the tests

**3.8**

**full load capacity**

weight of the test food, in kg, as declared by the manufacturer, that can be processed in the appliance for testing its performance

**3.9**

**reference temperature cycle**

cycle from which temperature in °C down to which temperature in °C test food is intended to be cooled and in how many minutes

**3.10**

**energy consumption**

ratio of total energy measured in kWh per kg of test food per reference temperature cycle, rounded to four digits after the comma

**3.11**

**test pan**

container made by solid stainless steel according to Table B.1 in [Annex B](#)

**3.12****operating conditions**

conditions which exist when the cabinet, including all permanently located accessories, has been set up to the program specified by the manufacturer in order to achieve final reference temperature cycle

**3.13****operational ambient temperature**

ambient temperature at which the appliance has been designed to be operated

Note 1 to entry: The operational ambient temperatures are  $25\text{ °C } \begin{smallmatrix} -1 \\ +5 \end{smallmatrix}$  or  $30\text{ °C } \begin{smallmatrix} -1 \\ +5 \end{smallmatrix}$  or  $40\text{ °C } \begin{smallmatrix} -1 \\ +5 \end{smallmatrix}$

**4 Requirements****4.1 Reference temperature and time of test food**

Blast chillers shall bring the test food from an initial reference temperature of  $+65\text{ °C}$  to a final temperature of  $+10\text{ °C}$  within a test time of 120 min.

Blast freezers shall bring the test food from an initial reference temperature of  $+65\text{ °C}$  to a final temperature of  $-18\text{ °C}$  within a test time of 270 min.

For blast chillers at the end of the test, the temperature of the coldest M-pan shall be higher than  $-1\text{ °C}$ .

NOTE In some countries specific hygiene requirements apply.

**4.2 Test time**

The test time is the time between:

- $T_0$ , time when the average temperature of the test food in the M-pans is equal to the initial reference temperature; and
- $T_f$ , time when the temperature of the test food in all M-pans reaches the final reference temperature.

The measured time is rounded to the next full minute.

**5 Test conditions****5.1 Test room**

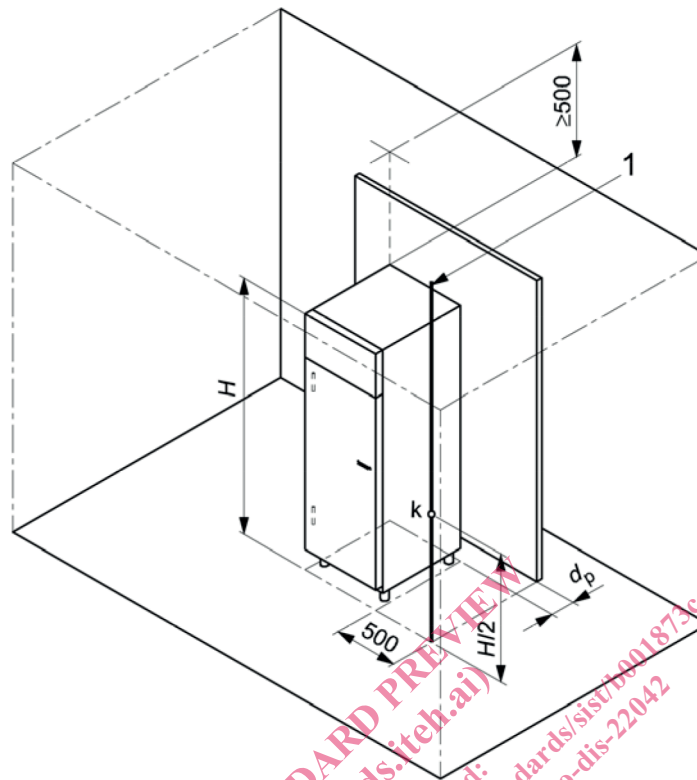
Tests shall be carried out in a test room at a temperature in accordance with the operational ambient temperature. Temperature measurement shall be at one decimal place.

The measuring point shall be located opposite to the hinges of the door of the blast cabinet, 500 mm upstream of the blast cabinet, in line with the front of the cabinet at a vertical height that is half the blast cabinet height (including cabinet feet and fixings).

No specific requirement on relative humidity is applicable.

**5.2 Blast cabinet selection, installation and positioning within the test room**

The blast cabinet, including all components required for normal operation, shall be assembled, set up and sited as it would be installed in service as far as practicable and in accordance with the manufacturer's instructions. All permanently located accessories required for normal use shall be in their respective places. Blast cabinets shall be placed against a wall of the test room or a vertical partition having a length of at least 1 m on the side of the test room temperature measuring point, 0,5 m on the opposite side and an height of at least 0,5 m more than the cabinet under testing at a distance from the rear as specified in the instructions for use (see [Figure 1](#)).



**Key**

- 1 climate measuring line
- H overall height of the cabinet including feet
- k climate measuring point detecting temperature
- dp clearance between rear wall of test room and vertical position specified by the manufacturer (if used)

**Figure 1 — Test room temperature measuring point and positioning of the cabinet**

**5.3 Blast cabinet operation**

The blast cabinet shall be operated at operating conditions.

**5.4 Power supply**

The blast cabinet shall be supplied at the voltage and frequency marked on the rating plate. In case a range of voltage or frequency are indicated, the cabinet is supplied at the conditions giving the highest energy consumption. The tolerance on power supply shall be  $\pm 2\%$  for voltage and  $\pm 1\%$  for frequency, in relation to the nominal values given on the marking plate or otherwise stated.

**5.5 Instruments, measuring equipment and measuring accuracy**

All measurements shall be carried out with instruments that are subjected to a due calibration program.

The following measurement accuracies shall be met:

- temperature shall be measured to an accuracy of  $\pm 0,8\text{ }^\circ\text{C}$ ;
- total energy shall be measured to an accuracy of  $\pm 2\%$ ;
- weight shall be measured to an accuracy of  $\pm 2\text{ g}$ ;



- time interval measurements shall be made to an accuracy of at least 1 %;
- time measurements shall be made to an accuracy of at least  $\pm 1$  s;
- dimensions shall be measured to an accuracy of  $\pm 2$  mm.

## 5.6 Test load

### 5.6.1 Test food

The test food shall be reconstituted mashed potatoes. Composition for a kg of reconstituted mashed potatoes shall be:

- 115 g of instant mashed potatoes (flakes);
- 877 g of water;
- 8 g of salt.

The test food shall be prepared in the following way:

- heat the water and the salt in a cooking pan covered with a lid (to minimize water evaporation) to a temperature between 75 °C and 80 °C;
- when the above temperature is reached, pour the flakes into the water and mix vigorously with a whisk to an even consistency, leave to rise 2 min to 3 min in the cooking pan covered with a lid;
- place the mashed potatoes into the test pans in layers of uniform thickness.

It is recommended to prepare a quantity of test food exceeding the needed quantity by approximately 20 %.

The test food shall only be used once.

### 5.6.2 Test pan loading

The test pans, having the maximum surface that can be allowed by the shelf and with a height of 40 mm, shall be loaded by test food load evenly distributed up to a height of 35 mm.

In case a blast cabinet cannot fit the test pans, a rectangular stainless steel container with the height of 40 mm shall be loaded with test food load evenly distributed up to a height of 35 mm.

In case of blast cabinets loaded with only 1 test pan and in case reference temperature and time of test food specified in 4.1 with an amount of food corresponding to one test pan as in Nomenclature 1/1 in Table B.1 cannot be reached, a rectangular stainless steel container with the height of 40 mm shall be loaded with test food load evenly distributed up to a height of 35 mm.

No lids shall be placed on the containers.

The thickness of the test pan shall be  $0,8 \text{ mm} \pm 0,05 \text{ mm}$ , measured at the centre of the bottom of the test pan.

#### Secretariat Note

*When commenting on this sentence, National Member Bodies are called to verify this size comparing with the size of the pans used for the test.*

### 5.6.3 M-pans

Test pans equipped for temperature measurement shall be fitted with a temperature probe placed at the geometrical centre of the test food volume.