



Designation: ~~C645-09~~ Designation: **C 645 – 09a**

Standard Specification for Nonstructural Steel Framing Members¹

This standard is issued under the fixed designation C 645; the number immediately following the designation indicates the year of original adoption or, in the case of revision, the year of last revision. A number in parentheses indicates the year of last reapproval. A superscript epsilon (ϵ) indicates an editorial change since the last revision or reapproval.

This standard has been approved for use by agencies of the Department of Defense.

1. Scope*

- 1.1 This specification covers nonstructural steel framing members in interior construction assemblies.
- 1.2 The values stated in inch-pound units are to be regarded as standard. The values given in parentheses are mathematical conversions to SI units that are provided for information only and are not considered standard.
- 1.3 The following safety hazards caveat pertains only to the test methods portion, Sections 9 and 10, of this specification: *This standard does not purport to address all of the safety concerns, if any, associated with its use. It is the responsibility of the user of this standard to establish appropriate safety and health practices and determine the applicability of regulatory limitations prior to use.*

2. Referenced Documents

2.1 ASTM Standards:²

A653/A653M Specification for Steel Sheet, Zinc-Coated (Galvanized) or Zinc-Iron Alloy-Coated (Galvannealed) by the Hot-Dip Process

A1003/A1003M Specification for Steel Sheet, Carbon, Metallic- and Nonmetallic-Coated for Cold-Formed Framing Members

C11 Terminology Relating to Gypsum and Related Building Materials and Systems

C475/C475M Specification for Joint Compound and Joint Tape for Finishing Gypsum Board

C1396/C1396M Specification for Gypsum Board

C754 Specification for Installation of Steel Framing Members to Receive Screw-Attached Gypsum Panel Products

C1002 Specification for Steel Self-Piercing Tapping Screws for the Application of Gypsum Panel Products or Metal Plaster Bases to Wood Studs or Steel Studs

2.2 AISI Standard:

~~Specification for the Design of Cold-Formed Steel Structural Members~~ S100 North American Specification for the Design of Cold-Formed Steel Structural Members, 2007 edition³

~~AISI COSP Code of Standard Practice for Cold-Formed Steel Structural Framing Committee on Framing Standards—2005 Edition~~ Standards, 2005 Edition³

2.3 ICC-ES Document⁴

ICC-ES-AC86 Acceptance Criteria for Steel Studs and Gypsum-Board Interior Nonload-Bearing Walls—Complete Construction—AC86—Approved July 1995 (Editorially revised September 2005) (Formerly ICBO AC86 dated July 1995)

3. Terminology

3.1 *Definitions*—Definitions shall be in accordance with Terminology C11.

3.2 *Definitions of Terms Specific to This Standard:*

3.2.1 *members, n*—in screw application of gypsum board, studs, runners (track), hat furring channels, main beams and cross furring members of grid suspension systems or other items manufactured in accordance with this specification.

3.2.2 *nonstructural wall stud, n*—a member in a steel framed wall system which is limited to a lateral (transverse) load of not more than 10 lb/ft² (480 Pa), a superimposed vertical load, exclusive of sheathing materials, of not more than 100 lbf/ft (1460 N/m), or a superimposed vertical load of not more than 200 lbs (890 N).

¹ This specification is under the jurisdiction of ASTM Committee C11 on Gypsum and Related Building Materials and Systems and is the direct responsibility of Subcommittee C11.02 on Specifications and Test Methods for Accessories and Related Products.

Current edition approved July/Nov. 15, 2009. Published September/December 2009. Originally approved in 1970. Last previous edition approved in 2008/2009 as C645-08a. DOI: 10.1520/C0645-09-C 645 – 09.

² For referenced ASTM standards, visit the ASTM website, www.astm.org, or contact ASTM Customer Service at service@astm.org. For *Annual Book of ASTM Standards* volume information, refer to the standard's Document Summary page on the ASTM website.

³ Available from American Iron and Steel Institute (AISI), 1140 Connecticut Ave., NW, Suite 705, Washington, DC 20036, http://www.steel.org.

⁴ Available from ICC Evaluation Services, Inc., 5360 Workman Mill Road, Whittier, CA 90601, www.icc-es.org.

*A Summary of Changes section appears at the end of this standard.

4. Materials and Manufacture

- 4.1 Members shall be manufactured from steel meeting the requirements of Specification A1003/A1003M.
- 4.2 Members shall have a protective coating conforming to Specification A653/A653M – G 40 minimum or shall have a protective coating with an equivalent corrosion resistance.
- 4.3 Members shall be manufactured from steel having a minimum thickness, individual measurement of 0.0179 in. (0.455 mm) before application of protective coating.

5. Dimensions and Permissible Variations

5.1 Studs and rigid furring channels shall have a configuration and steel thickness such that the system in which they are used will carry the design transverse loads without exceeding either the allowable stress of the steel or the allowable design deflection. Main beams and cross furring of grid suspension systems shall be limited to a deflection of L/240. The manufacturer shall supply sufficient data for calculating design performance.

NOTE 1—Allowable deflection varies depending on the cladding used and architectural requirements. Detailed requirements shall be specified in application specifications.

- 5.1.1 Members, except main beams of grid suspension systems, shall be sufficiently rigid to permit penetration of the screw.
- 5.1.2 Minimum width of face to which gypsum board is screw-attached shall be not less than 1 ¼ in. (32 mm).
- 5.1.3 Minimum lip dimension shall be 3/16 in. (5 mm). See Fig. 1.
- 5.2 Members shall be manufactured within the limits as shown in Table 1 and Fig. 2.
- 5.3 *Rigid Furring Channels*—Minimum depth shall be 7/8 in. (22 mm). Minimum width of furring attachment flanges (see Fig. 3) shall be ½ in. (12.7 mm).
- 5.4 Grid suspension systems include main beams and cross furring members which mechanically interlock to form a modular supporting network. Length tolerance for grid suspension members shall be ± 1/16 in. (1.59 mm).
- 5.5 Runners (track) shall be formed in a U-shaped configuration, having web depth compatible with those of the studs of the same nominal size. The runners (track) shall be designed such that when the studs are placed in both the top and bottom runners

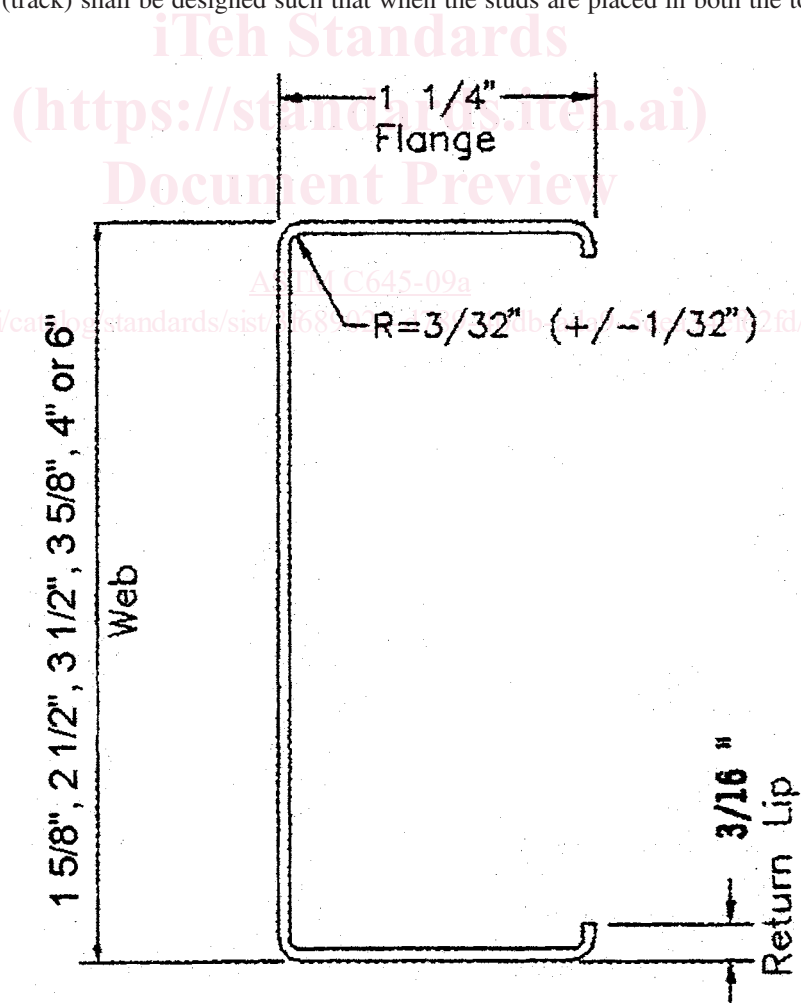


FIG. 1 Minimum Drywall Stud Cross Section

TABLE 1 Manufacturing Tolerances

Dimension ^A	Item Checked	Drywall Studs, in. (mm)	Drywall Track, in. (mm)
A	length	+ 1/8 (3.18) - 1/4 (6.35)	+ 1 (25.40) - 1/4 (6.35)
B ^B	web width	+ 1/32 (0.79) - 1/32 (0.79)	+ 1/8 (3.18) - 0 (0)
C	flare overbend	+ 1/16 (1.59) - 1/16 (1.59)	+ 0 (0) - 3/16 (4.76)
D	hole center width	+ 1/8 (3.18) - 1/8 (3.18)	NA
E	hole center length	+ 1/4 (6.35) - 1/4 (6.35)	NA
F	crowns	+ 1/8 (3.18) - 1/8 (3.18)	+ 1/8 (3.18) - 1/8 (3.18)
G	camber	1/32 per ft (0.79) 1/2 max (12.7)	1/32 per ft (0.79) 1/2 max (12.7)
H	bow	1/32 per ft (0.79) 1/2 max (12.7)	1/32 per ft (0.79) 1/2 max (12.7)
I	twist	1/32 per ft (0.79) 1/2 max (12.7)	1/32 per ft (0.79) 1/2 max (12.7)

^A All measurements shall be taken not less than 1 ft (305 mm) from the end.
^B Outside dimension for stud; inside for track.

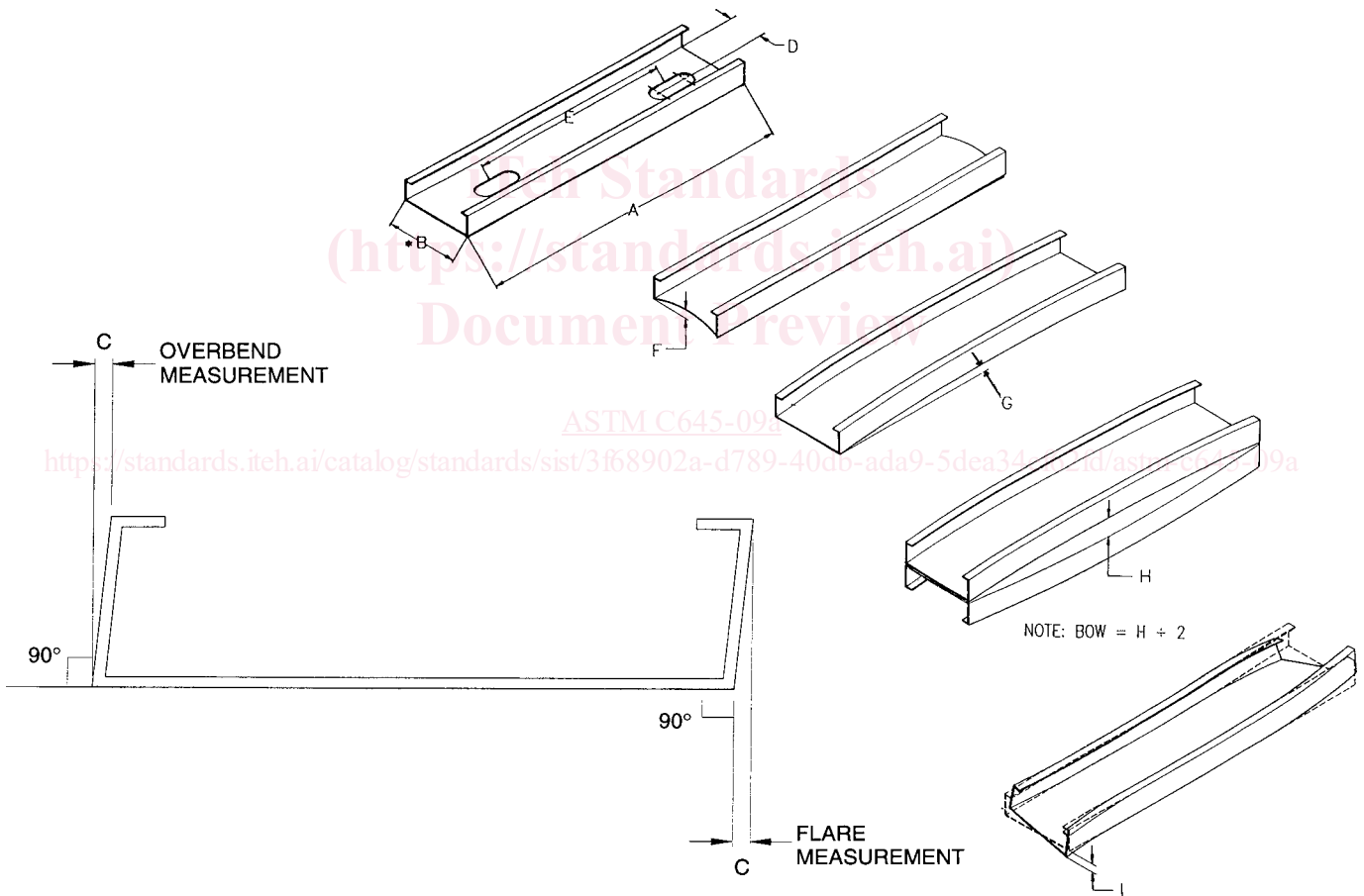


FIG. 2 Manufacturing Tolerances

(track), they are held by friction. Minimum height of flanges shall be 1 in. (25 mm).

6. Edges

6.1 Members shall be manufactured in such a fashion as to minimize burrs and sharp edges.

7. Cutouts

7.1 Cutouts shall not reduce the performance of the members in the gypsum board construction assembly below the specified performance requirements.