
Metallic materials — Tube ring hydraulic pressure test

*Matériaux métalliques — Essai d'expansion hydraulique sur anneau
tubulaire*

iTeh STANDARD PREVIEW
(standards.iteh.ai)

[ISO 15363:2017](https://standards.iteh.ai/catalog/standards/sist/16331f5e-9c1c-4ccc-8a6b-a486791de5e3/iso-15363-2017)

[https://standards.iteh.ai/catalog/standards/sist/16331f5e-9c1c-4ccc-8a6b-
a486791de5e3/iso-15363-2017](https://standards.iteh.ai/catalog/standards/sist/16331f5e-9c1c-4ccc-8a6b-a486791de5e3/iso-15363-2017)



iTeh STANDARD PREVIEW
(standards.iteh.ai)

[ISO 15363:2017](https://standards.iteh.ai/catalog/standards/sist/16331f5e-9c1c-4ccc-8a6b-a486791de5e3/iso-15363-2017)

<https://standards.iteh.ai/catalog/standards/sist/16331f5e-9c1c-4ccc-8a6b-a486791de5e3/iso-15363-2017>



COPYRIGHT PROTECTED DOCUMENT

© ISO 2017, Published in Switzerland

All rights reserved. Unless otherwise specified, no part of this publication may be reproduced or utilized otherwise in any form or by any means, electronic or mechanical, including photocopying, or posting on the internet or an intranet, without prior written permission. Permission can be requested from either ISO at the address below or ISO's member body in the country of the requester.

ISO copyright office
Ch. de Blandonnet 8 • CP 401
CH-1214 Vernier, Geneva, Switzerland
Tel. +41 22 749 01 11
Fax +41 22 749 09 47
copyright@iso.org
www.iso.org

Contents

	Page
Foreword	iv
1 Scope	1
2 Symbols	1
3 Principle	1
4 Apparatus	2
5 Test ring	3
5.1 Shape and position	3
5.2 Determination of dimensions	4
6 Test procedure	5
7 Hoop strength evaluation	6
8 Test report	7
Annex A (informative) Proof and reduced section testing	8
Annex B (informative) Comparison of symbols and designations used for steel tubes	9

iTeh STANDARD PREVIEW (standards.iteh.ai)

[ISO 15363:2017](https://standards.iteh.ai/catalog/standards/sist/16331f5e-9c1c-4ccc-8a6b-a486791de5e3/iso-15363-2017)

<https://standards.iteh.ai/catalog/standards/sist/16331f5e-9c1c-4ccc-8a6b-a486791de5e3/iso-15363-2017>

Foreword

ISO (the International Organization for Standardization) is a worldwide federation of national standards bodies (ISO member bodies). The work of preparing International Standards is normally carried out through ISO technical committees. Each member body interested in a subject for which a technical committee has been established has the right to be represented on that committee. International organizations, governmental and non-governmental, in liaison with ISO, also take part in the work. ISO collaborates closely with the International Electrotechnical Commission (IEC) on all matters of electrotechnical standardization.

The procedures used to develop this document and those intended for its further maintenance are described in the ISO/IEC Directives, Part 1. In particular the different approval criteria needed for the different types of ISO documents should be noted. This document was drafted in accordance with the editorial rules of the ISO/IEC Directives, Part 2 (see www.iso.org/directives).

Attention is drawn to the possibility that some of the elements of this document may be the subject of patent rights. ISO shall not be held responsible for identifying any or all such patent rights. Details of any patent rights identified during the development of the document will be in the Introduction and/or on the ISO list of patent declarations received (see www.iso.org/patents).

Any trade name used in this document is information given for the convenience of users and does not constitute an endorsement.

For an explanation on the voluntary nature of standards, the meaning of ISO specific terms and expressions related to conformity assessment, as well as information about ISO's adherence to the World Trade Organization (WTO) principles in the Technical Barriers to Trade (TBT) see the following URL: www.iso.org/iso/foreword.html (standards.iteh.ai)

This document was prepared by Technical Committee ISO/TC 164, *Mechanical testing of metals*, Subcommittee SC 2, *Ductility testing*.
ISO 15363:2017
<https://standards.iteh.ai/catalog/standards/sist/16331f5e-9c1c-4ccc-8a6b-48693e65c113/iso-15363-2017>

This second edition cancels and replaces the first edition (ISO 15363:2000), of which it constitutes a minor revision.

The main changes to the previous edition are:

- Addition of the comparison of symbols and designations used for steel tubes as Annex B for harmonizing EN 10275:1999.

[Annex A](#) and [Annex B](#) of this document are for information only.

Metallic materials — Tube ring hydraulic pressure test

1 Scope

This document specifies the ring hydraulic pressure test for metallic tubes. It is generally applied to tubes with an outside diameter greater than 120 mm and outside diameter to thickness ratio of not less than 20.

The objective of this test is to ascertain the value of the hoop stress required to produce a specified total circumferential (hoop) strain.

2 Symbols

Symbols and corresponding designations are given in [Table 1](#).

Table 1 — Symbols and designations

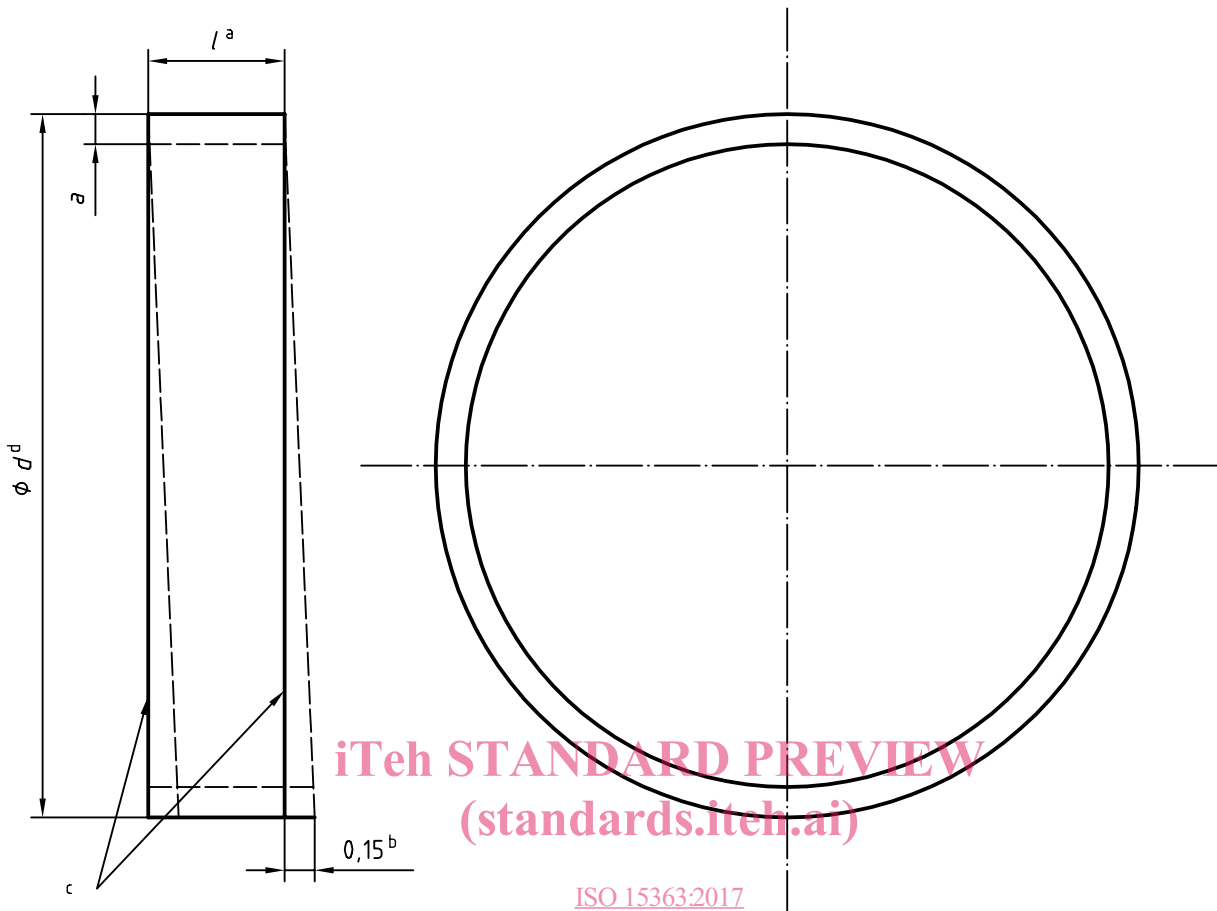
Symbol	Designation	Unit
a	Measured tube test ring thickness	mm
A_t	Specified total circumferential strain	%
d	Measured outside diameter of the tube test ring	mm
l	Length of tube test ring	mm
p	Hydrostatic pressure to produce the specified total circumferential strain	MPa
R_{At}	Hoop strength at the specified total strain	MPa
NOTE For symbols used in standards for steel tubes, please see Annex B .		

3 Principle

Unrestrained expansion of the test ring between two platens, under internal hydraulic pressure; the outer circumference of the tube is the effective test piece gauge length.

The test is carried out on a test piece taken from a welded or seamless tube of thickness up to a limit dependent upon the capacity of the machine and the strength of the tube (see [Figure 1](#)). All sharp edges are removed from product machined surfaces before testing. Where the hydraulic pressure required to produce the specified circumferential strain exceeds the capacity of the test machine, modified tests may be carried out as described in [Annex A](#).

The test is specified when a measure of the hoop strength is required which is not influenced by cold forming and residual stress introduced when flattening a standard tensile test piece. The standard tensile test is necessary, however, when tensile strength and elongation measurements are required.



ISO 15363:2017
<https://standards.iteh.ai/catalog/standards/sist/16331f5e-9c1c-4ccc-8a6b-a486791de5e3/iso-15363-2017>

Key

- a Tolerance on l : $\pm 0,25$ mm; l is commonly taken as 76 mm.
- b Maximum deviation from normal.
- c Both faces to be machined parallel with fine turned or ground finish.
- d Measured outside diameter of the tube test ring.

Figure 1 — Test ring dimensions and tolerances

4 Apparatus

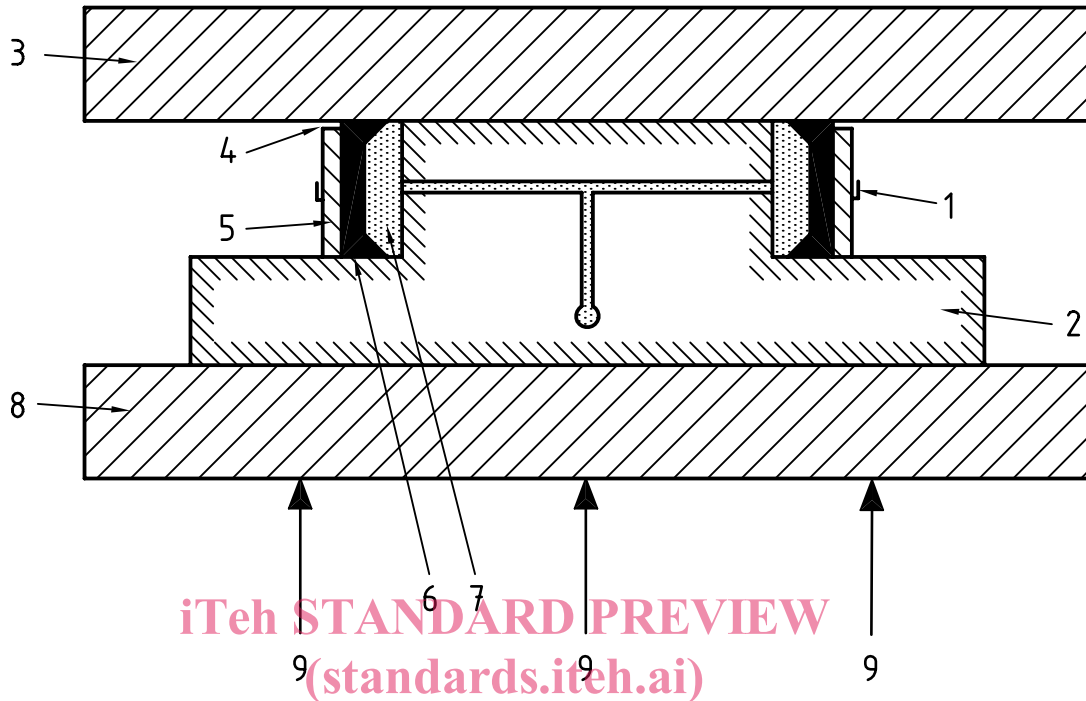
4.1 Testing machine, which shall be capable of allowing the test ring to expand freely without imposing any end restraint. This shall be achieved by leaving a small gap between the test piece and the top platen. Pressure loss during testing shall be prevented by the use of a flexible seal.

A typical testing machine is shown schematically in [Figure 2](#).

4.2 Platens. To reduce to a minimum any friction between the test piece, platens and inner die, the platens shall be parallel and have a fine turned or ground finish. Prior to each test, friction at the contact surfaces shall be further minimized either by the use of a lubricant, such as graphited grease, or by the use of PTFE (polytetrafluorethylene) sheet. The platens shall be inspected regularly and any ridges that develop shall be removed.

4.3 Test ring, to which stress shall be applied by means of a pressurized fluid. Provision shall be made to remove any air in the system through a bleed line.

WARNING — When carrying out the test, precautions should be taken for ensuring the safety of the operator.



Key

- 1 circumferential measuring device, e.g. steel tape or roller chain
- 2 inner die
- 3 top platen
- 4 small gap
- 5 test ring
- 6 rubber seal or gasket
- 7 pressurizing fluid
- 8 bottom platen
- 9 clamping force

Figure 2 — Schematic diagram of testing machine (with installed test ring)

5 Test ring

5.1 Shape and position

5.1.1 Prior to separation from the main body of the tube, the test ring shall be marked with a unique identity.

5.1.2 The test ring may be prepared from an oversize flame cut sample. Final preparation shall be by a cold machining process to ensure removal of any heat affected zones. The machined edges shall have a fine turned or ground finish and be free from burrs.

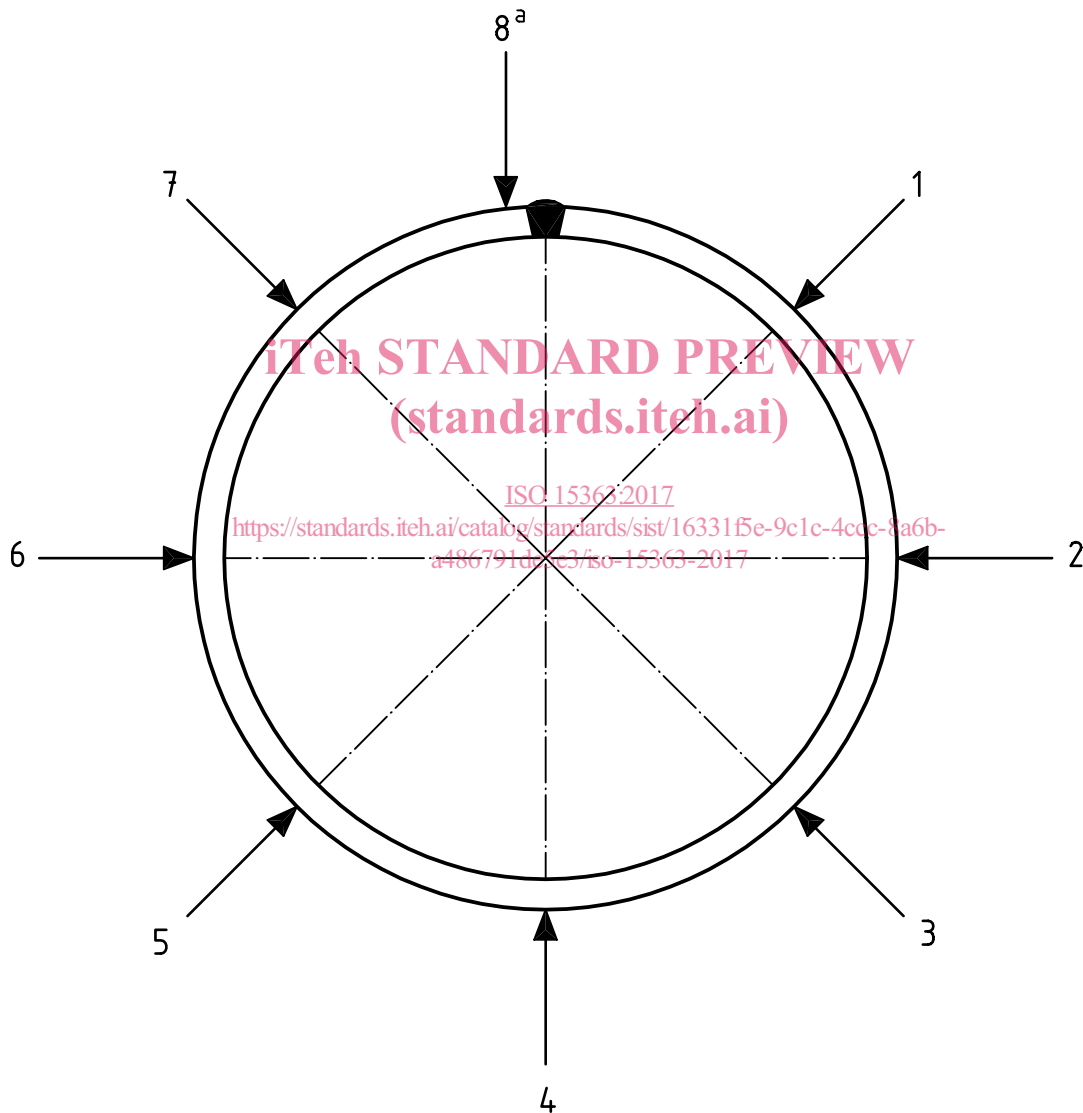
5.1.3 The dimensions and tolerances for the test piece are given in [Figure 1](#). The machined edges shall be parallel and normal to the axis of the tube to within 0,15 mm measured across the diameter.

5.2 Determination of dimensions

5.2.1 The outside diameter of the test ring shall be calculated from measurement of the tube circumference, for example using a flexible steel tape. The maximum tolerance on the accuracy of this measurement shall be ± 1 mm.

5.2.2 The wall thickness shall be determined by calculating the mean of eight measurements taken at approximately 45° intervals around the test piece, excluding the weld region of welded tubes (see Figure 3). The measuring device shall be capable of measuring thickness to an accuracy greater than $\pm 0,025$ mm.

5.2.3 All tube diameter and thickness measurements of the test ring shall be fully documented.



Key

^a Adjacent to the weld.

Figure 3 — Wall thickness measurement positions

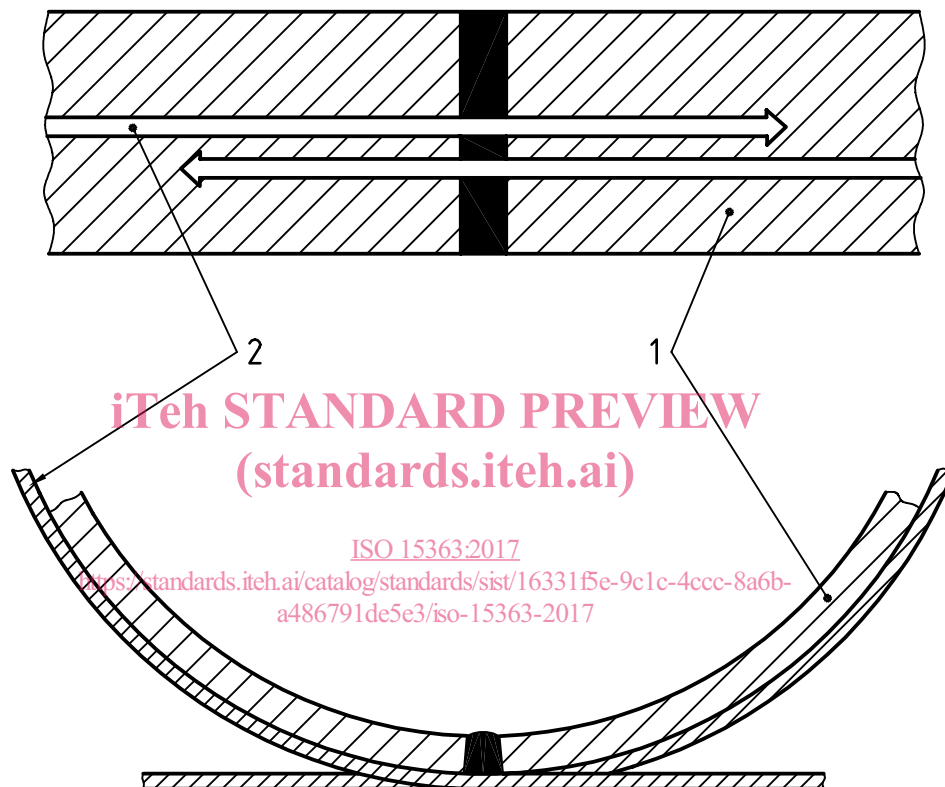
6 Test procedure

6.1 The test procedure consists of applying pressure and measuring circumferential extension.

6.2 Circumferential extension of the test ring shall be measured during pressurization as follows.

The equipment for measuring the change of circumference, for example steel tape or roller chain extensometer, shall be wrapped around the test ring perimeter at the mid-point, crossing at the weld.

An example of the use of a steel tape is shown in [Figure 4](#). The separation between the two parallel portions of the measuring device shall be between 1,5 mm and 3 mm.



Key

- 1 tube under test
- 2 measuring device, e.g. steel tape

Figure 4 — Measuring device position for extension measurement

When a steel tape is used, friction shall be minimized by coating both the tape and test ring circumference with a suitable lubricant. Change in circumference shall be measured by a suitable mechanical or electrical device accurate to within $\pm 0,25$ mm.

6.3 The equipment for measuring the increase in circumference shall be wrapped around the test ring before application of the internal pressure.

6.4 The tolerance for the measurement of internal pressure shall be within ± 1 %. Accuracy of the pressure measurement device shall be verified, for example by comparison with dead weight test equipment, at the commencement of a sequence of testing and not less than once per year during the testing period.