



SLOVENSKI STANDARD
oSIST prEN 12255-2:2024
01-september-2024

Čistilne naprave za odpadno vodo - 2. del: Sistemi za upravljanje z meteorno vodo

Wastewater treatment plants - Part 2: Storm water management systems

Kläranlagen - Teil 2: Niederschlagsmanagementsysteme

Stations d'épuration - Partie 2 : Systèmes de gestion des eaux pluviales

Ta slovenski standard je istoveten z: prEN 12255-2

ICS:

<https://13.060.30.130/standards/13.060.30> Odpadna voda [s/sist/bd8c8e33-](https://13.060.30.130/standards/13.060.30) [oSIST prEN 12255-2:2024](https://13.060.30.130/standards/13.060.30) Sewage water [0a6d78d3ba84/osist-pren-12255-2-2024](https://13.060.30.130/standards/13.060.30)

oSIST prEN 12255-2:2024

en,fr,de

EUROPEAN STANDARD
NORME EUROPÉENNE
EUROPÄISCHE NORM

DRAFT
prEN 12255-2

June 2024

ICS 13.060.30

English Version

Wastewater treatment plants - Part 2: Storm water management systems

Stations d'épuration - Partie 2 : Systèmes de gestion des eaux pluviales

Kläranlagen - Teil 2: Systeme zur Bewirtschaftung von Mischwasserüberläufen

This draft European Standard is submitted to CEN members for enquiry. It has been drawn up by the Technical Committee CEN/TC 165.

If this draft becomes a European Standard, CEN members are bound to comply with the CEN/CENELEC Internal Regulations which stipulate the conditions for giving this European Standard the status of a national standard without any alteration.

This draft European Standard was established by CEN in three official versions (English, French, German). A version in any other language made by translation under the responsibility of a CEN member into its own language and notified to the CEN-CENELEC Management Centre has the same status as the official versions.

CEN members are the national standards bodies of Austria, Belgium, Bulgaria, Croatia, Cyprus, Czech Republic, Denmark, Estonia, Finland, France, Germany, Greece, Hungary, Iceland, Ireland, Italy, Latvia, Lithuania, Luxembourg, Malta, Netherlands, Norway, Poland, Portugal, Republic of North Macedonia, Romania, Serbia, Slovakia, Slovenia, Spain, Sweden, Switzerland, Türkiye and United Kingdom.

Recipients of this draft are invited to submit, with their comments, notification of any relevant patent rights of which they are aware and to provide supporting documentation.

Warning : This document is not a European Standard. It is distributed for review and comments. It is subject to change without notice and shall not be referred to as a European Standard.



EUROPEAN COMMITTEE FOR STANDARDIZATION
COMITÉ EUROPÉEN DE NORMALISATION
EUROPÄISCHES KOMITEE FÜR NORMUNG

CEN-CENELEC Management Centre: Rue de la Science 23, B-1040 Brussels

Contents	Page
European foreword	3
Introduction	4
1 Scope	5
2 Normative references	5
3 Terms and definitions	5
4 Symbols and abbreviations	6
5 General	6
6 Flow management systems	8
6.1 Flow separation	8
6.2 Storm Tanks	9
6.2.1 General	9
6.2.2 Storm Tank Sizing	10
6.2.3 Storm Tank Design	10
6.2.4 Storm tank return flow	11
6.2.5 Storm tank cleaning	11
6.2.6 Measurement, monitoring and control	12
6.3 Additional requirements	13
Bibliography	14

Document Preview

<https://standards.iteh.ai>

<https://standards.iteh.ai/catalog/standards/sist/bd8c8c33-7f9d-46de-ad48-0a6d78d3ba84/osist-pren-12255-2-2024>

European foreword

This document (prEN 12255-2:2024) has been prepared by Technical Committee CEN/TC 165 “Wastewater”, the secretariat of which is held by DIN.

This document is currently submitted to the CEN Enquiry.

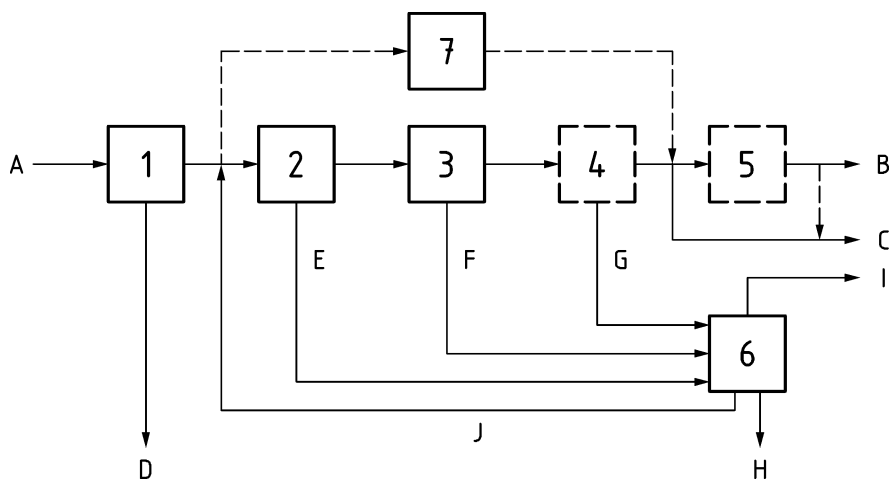
It is the eighth part prepared by Working Group CEN/TC 165/WG 40 relating to the general requirements and processes for treatment plants for a total number of inhabitants and population equivalents (PT) over 50. EN 12255 with the generic title “Wastewater treatment plants” consists of the following parts:

- *Part 1: General construction principles*
- *Part 2: Storm water management systems*
- *Part 3: Preliminary treatment*
- *Part 4: Primary treatment*
- *Part 5: Lagooning processes*
- *Part 6: Activated sludge process*
- *Part 7: Biological fixed-film reactors*
- *Part 8: Sludge treatment and storage*
- *Part 9: Odour control and ventilation*
- *Part 10: Safety principles*
- *Part 11: General data required*
- *Part 12: Control and automation*
- *Part 13: Chemical treatment — Treatment of wastewater by precipitation/flocculation*
- *Part 14: Disinfection*
- *Part 15: Measurement of the oxygen transfer in clean water in aeration tanks of activated sludge plants*
- *Part 16: Physical (mechanical) filtration*

NOTE For requirements on pumping installations at wastewater treatment plants see EN 752 and EN 16932 (all parts).

Introduction

Differences in wastewater treatment throughout Europe have led to a variety of systems being developed. This document gives fundamental information about the systems; this document has not attempted to specify all available systems. A generic arrangement of wastewater treatment plants is illustrated below in Figure 1:



Key

- 1 preliminary treatment
- 2 primary treatment
- 3 secondary treatment
- 4 tertiary treatment
- 5 additional treatment (e.g. disinfection or removal of micropollutants)
- 6 sludge treatment
- 7 lagoons (as an alternative)
- A raw wastewater
- B effluent for re-use (e.g. irrigation)
- C discharged effluent
- D screenings and grit
- E primary sludge
- F secondary sludge
- G tertiary sludge
- H stabilized sludge
- I digester gas
- J returned water from dewatering

Figure 1 — Schematic diagram of wastewater treatment plants

Detailed information additional to that contained in this document can be obtained by referring to the bibliography.

The primary application is for wastewater treatment plants designed for the treatment of domestic and municipal wastewater.