

---

---

**Welding and allied processes —  
Welding positions**

*Soudage et techniques connexes — Positions de soudage*

iTeh Standards  
(<https://standards.iteh.ai>)  
Document Preview

[ISO 6947:2019](https://standards.iteh.ai/catalog/standards/iso/6468743f-6372-4193-a19c-49af126665ed/iso-6947-2019)

<https://standards.iteh.ai/catalog/standards/iso/6468743f-6372-4193-a19c-49af126665ed/iso-6947-2019>



iTeh Standards  
(<https://standards.iteh.ai>)  
Document Preview

ISO 6947:2019

<https://standards.iteh.ai/catalog/standards/iso/6468743f-6372-4193-a19c-49af126665ed/iso-6947-2019>



**COPYRIGHT PROTECTED DOCUMENT**

© ISO 2019

All rights reserved. Unless otherwise specified, or required in the context of its implementation, no part of this publication may be reproduced or utilized otherwise in any form or by any means, electronic or mechanical, including photocopying, or posting on the internet or an intranet, without prior written permission. Permission can be requested from either ISO at the address below or ISO's member body in the country of the requester.

ISO copyright office  
CP 401 • Ch. de Blandonnet 8  
CH-1214 Vernier, Geneva  
Phone: +41 22 749 01 11  
Fax: +41 22 749 09 47  
Email: [copyright@iso.org](mailto:copyright@iso.org)  
Website: [www.iso.org](http://www.iso.org)

Published in Switzerland

# Contents

Page

<b>Foreword</b> .....	<b>iv</b>
<b>Introduction</b> .....	<b>v</b>
<b>1 Scope</b> .....	<b>1</b>
<b>2 Normative references</b> .....	<b>1</b>
<b>3 Terms and definitions</b> .....	<b>1</b>
<b>4 Welding positions</b> .....	<b>2</b>
4.1 Main welding positions.....	2
4.2 Welding positions and allowable deviations for testing.....	5
4.3 Welding positions and ranges in production.....	5
<b>5 Designation</b> .....	<b>6</b>
<b>Annex A (informative) Limits of the slope of a weld axis and the rotation of the weld face about the weld axis for welding positions in production welds</b> .....	<b>8</b>
<b>Annex B (informative) Comparison of this document and US designation systems for welding positions</b> .....	<b>15</b>
<b>Bibliography</b> .....	<b>19</b>

iTeh Standards  
(<https://standards.itih.ai>)  
Document Preview

[ISO 6947:2019](#)

<https://standards.itih.ai/catalog/standards/iso/6468743f-6372-4193-a19c-49af126665ed/iso-6947-2019>

## Foreword

ISO (the International Organization for Standardization) is a worldwide federation of national standards bodies (ISO member bodies). The work of preparing International Standards is normally carried out through ISO technical committees. Each member body interested in a subject for which a technical committee has been established has the right to be represented on that committee. International organizations, governmental and non-governmental, in liaison with ISO, also take part in the work. ISO collaborates closely with the International Electrotechnical Commission (IEC) on all matters of electrotechnical standardization.

The procedures used to develop this document and those intended for its further maintenance are described in the ISO/IEC Directives, Part 1. In particular, the different approval criteria needed for the different types of ISO documents should be noted. This document was drafted in accordance with the editorial rules of the ISO/IEC Directives, Part 2 (see [www.iso.org/directives](http://www.iso.org/directives)).

Attention is drawn to the possibility that some of the elements of this document may be the subject of patent rights. ISO shall not be held responsible for identifying any or all such patent rights. Details of any patent rights identified during the development of the document will be in the Introduction and/or on the ISO list of patent declarations received (see [www.iso.org/patents](http://www.iso.org/patents)).

Any trade name used in this document is information given for the convenience of users and does not constitute an endorsement.

For an explanation of the voluntary nature of standards, the meaning of ISO specific terms and expressions related to conformity assessment, as well as information about ISO's adherence to the World Trade Organization (WTO) principles in the Technical Barriers to Trade (TBT) see [www.iso.org/iso/foreword.html](http://www.iso.org/iso/foreword.html).

This document was prepared by Technical Committee ISO/TC 44, *Welding and allied processes*, Subcommittee SC 7, *Representation and terms*.

This fourth edition cancels and replaces the third edition (ISO 6947:2011), which has been technically revised. The main changes compared to the previous edition are as follows:

- [Figure 1](#) and [Figure 2](#) have been revised;
- the concept of a special test position which is not covered by defined test positions has been introduced;
- editorial corrections/improvements have been made.

Any feedback or questions on this document should be directed to the user's national standards body. A complete listing of these bodies can be found at [www.iso.org/members.html](http://www.iso.org/members.html). Official interpretations of TC 44 documents, where they exist, are available from this page: <https://committee.iso.org/sites/tc44/home/interpretation.html>.

## Introduction

This document specifies positions for standard discrete test piece orientation, e.g. PA, PB, H-L045, that have been included in this document since the third edition (ISO 6947:2011).

Since the third edition was published, positions for production welding are also defined. These positions are flat, horizontal, vertical, and overhead. Unlike discrete testing positions, these positions are contiguous.

Welding position are not dependent on the geometrical arrangement of the joint, e.g. butt or fillet joint, or that of the semi-finished product. Welds of all types and in all directions are covered.

The direction of welding (i.e. upwards or downwards) can also contribute to defining welding positions.

The main positions have been given symbols which can easily be used for designation purposes; these symbols were not derived from any particular language.

The concept of a special test position, not covered by the existing and well-defined positions, has been included so that testing can be carried out in positions that do not meet the standard requirements.

The relationship between testing positions and production welding positions is specified elsewhere, e.g. in the ISO 9606 series or ISO 15614 series.

# iTeh Standards (<https://standards.iteh.ai>) Document Preview

[ISO 6947:2019](#)

<https://standards.iteh.ai/catalog/standards/iso/6468743f-6372-4193-a19c-49af126665ed/iso-6947-2019>



# Welding and allied processes — Welding positions

## 1 Scope

This document defines welding positions for testing and production, for butt and fillet welds, in all product forms.

[Annex A](#) gives examples of the limits of the slope of a weld axis and the rotation of the weld face about the weld axis for welding positions in production welds.

[Annex B](#) gives a comparison of this document and US designation systems for welding positions.

## 2 Normative references

There are no normative references in this document.

## 3 Terms and definitions

For the purposes of this document, the following terms and definitions apply.

ISO and IEC maintain terminological databases for use in standardization at the following addresses:

- ISO Online browsing platform: available at <https://www.iso.org/obp>
- IEC Electropedia: available at <http://www.electropedia.org/>

### 3.1

#### welding position

position of a weld defined relative to the slope of the axis and rotation of the face of the weld relative to the horizontal plane

### 3.2

#### main welding position

*welding position* (3.1) designated PA, PB, PC, PD, PE, PF, PG, PH, PJ or PK

Note 1 to entry: See [Figure 1](#) and [Figure 2](#) for welding position designations.

### 3.3

#### special test position

##### SP

any *welding position* (3.1) that is not covered by one of the *main welding positions* (3.2) (see 4.3)

### 3.4

#### slope

##### S

<welding positions> angle of the axis of the weld relative to the *main welding position* (3.2)

### 3.5

#### rotation

##### R

<welding positions> angle of the face of the weld relative to the *main welding position* (3.2)

### 3.6

#### inclined angle

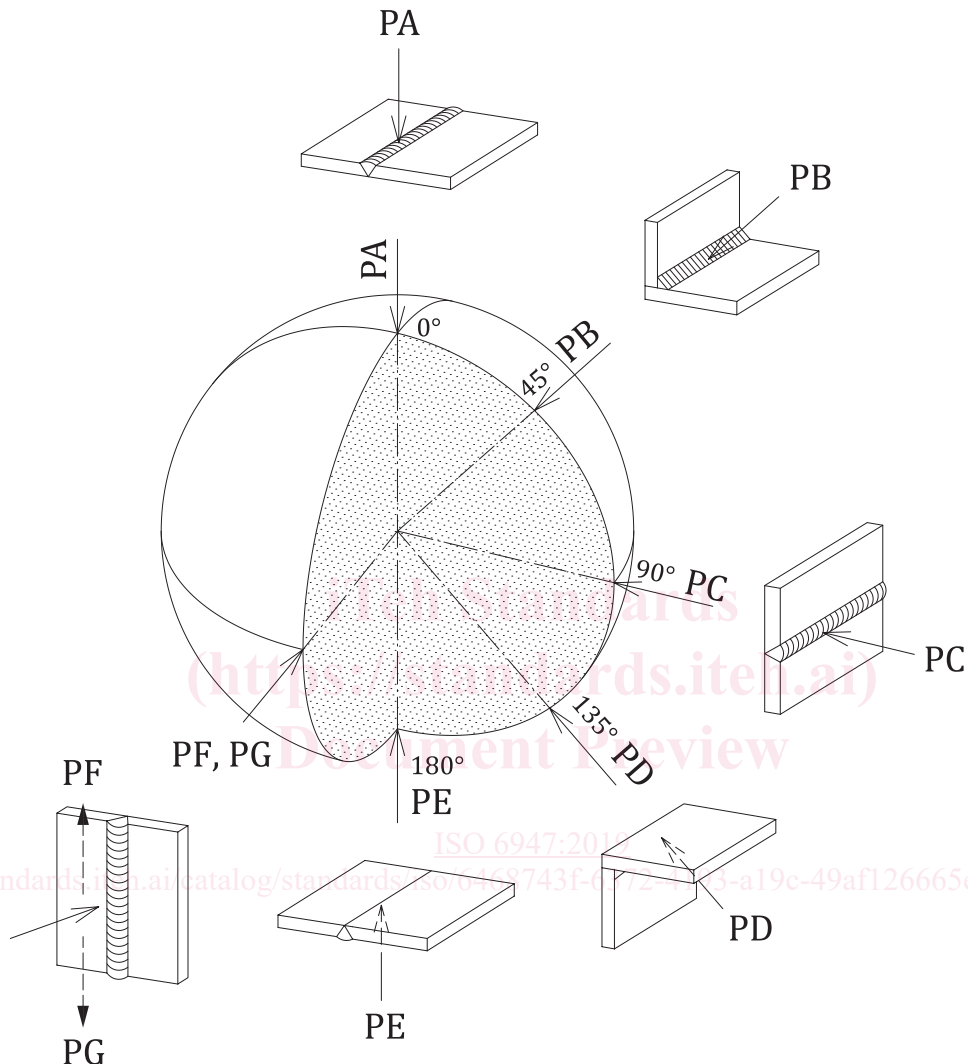
##### L

<welding positions> angle of the axis of the pipe

## 4 Welding positions

### 4.1 Main welding positions

The main welding positions PA to PG are illustrated in [Figure 1](#).



#### Key

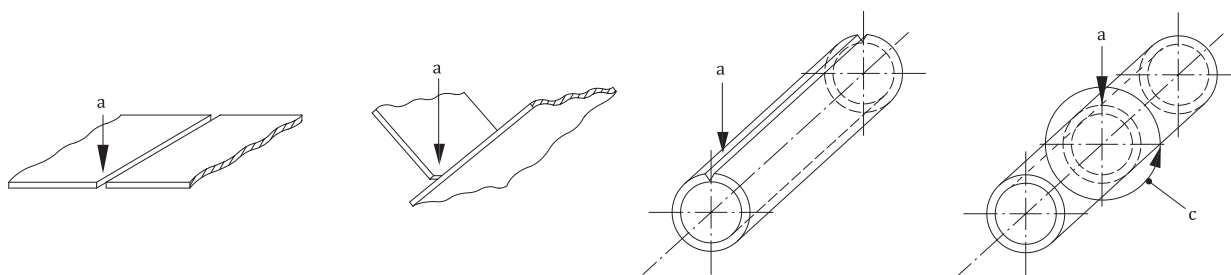
- A flat position
- PB horizontal vertical position
- PC horizontal position
- PD horizontal overhead position
- PE overhead position
- PF vertical position (welding upwards)
- PG vertical position (welding downwards)

NOTE Solid arrows show the welding position with respect to the face of the weld. Dashed arrows for PF (upwards) and PG (downwards) represent the direction of welding.

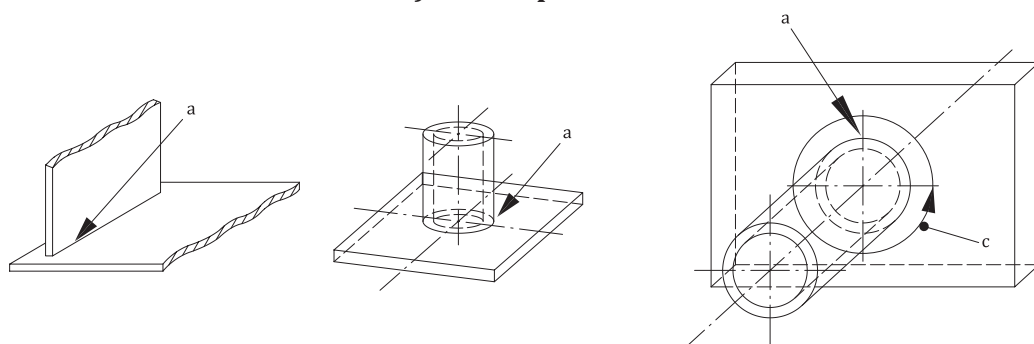
**Figure 1 — Main welding positions — PA to PG**



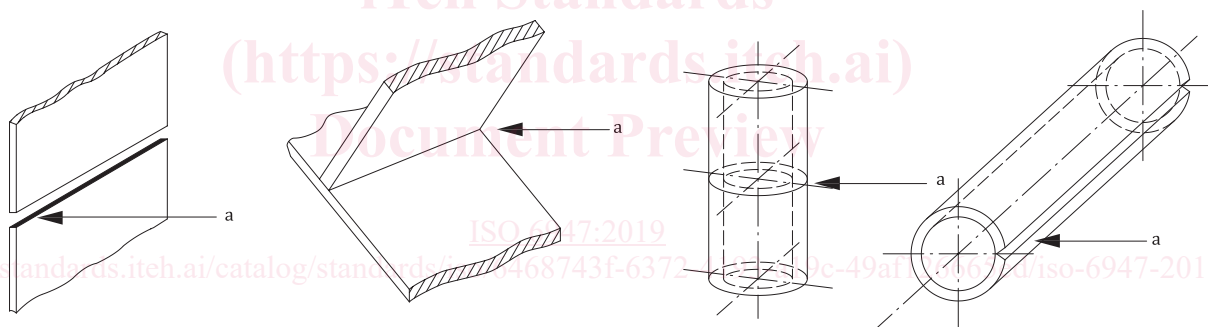
Illustrations of main welding positions for butt and fillet welds are given in [Figure 2](#).



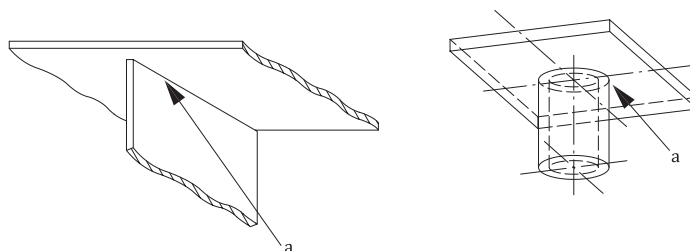
**a) PA: flat position**



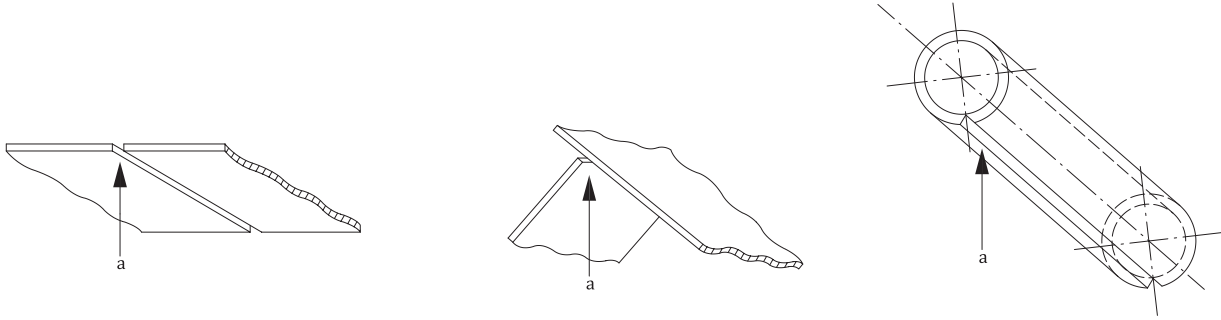
**b) PB: horizontal vertical position**



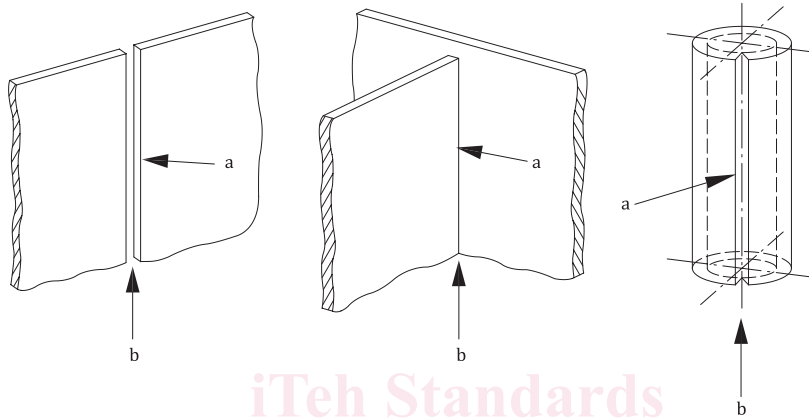
**c) PC: horizontal position**



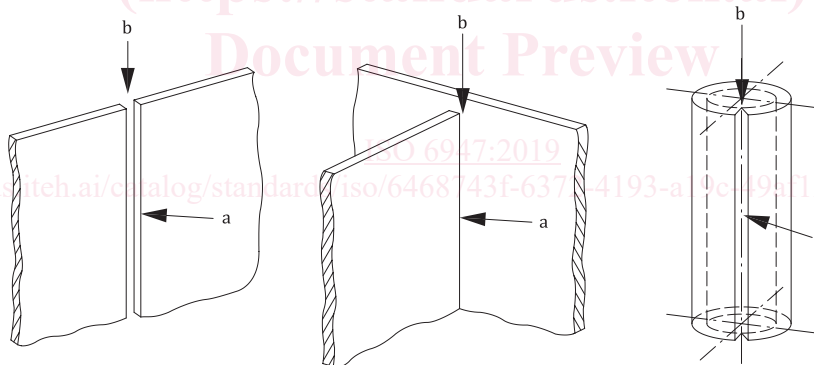
**d) PD: horizontal overhead position**



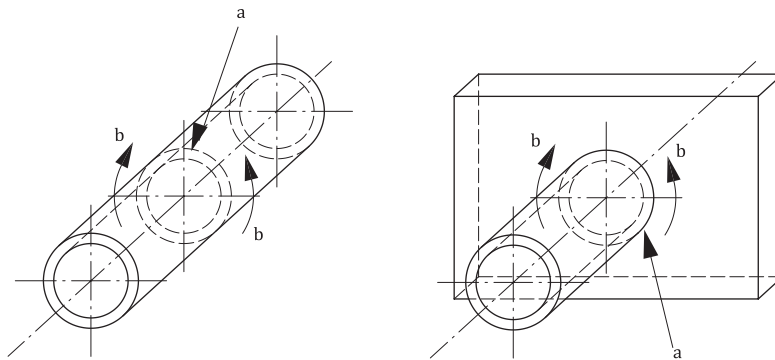
**e) PE: overhead position**



**f) PF: vertical position (welding upwards)**



**g) PG: vertical position (welding downwards)**



**h) PH: pipe position for welding upwards**