

iTeh STANDARD PREVIEW
(standards.iteh.ai)

[SIST EN 1335-1:2020/oprA1:2021](https://standards.iteh.ai/catalog/standards/sist/40bea60c-a1b5-45a1-aec3-b42107b8b134/sist-en-1335-1-2020-opra1-2021)

<https://standards.iteh.ai/catalog/standards/sist/40bea60c-a1b5-45a1-aec3-b42107b8b134/sist-en-1335-1-2020-opra1-2021>

EUROPEAN STANDARD
NORME EUROPÉENNE
EUROPÄISCHE NORM

DRAFT
EN 1335-1:2020
prA1

September 2021

ICS 97.140

English Version

Office furniture - Office work chair - Part 1: Dimensions - Determination of dimensions

Mobilier de bureau - Sièges de travail de bureau -
Partie 1 : Dimensions - Détermination des dimensions

Büromöbel - Büro-Arbeitsstuhl - Teil 1: Maße -
Bestimmung der Maße

This draft amendment is submitted to CEN members for enquiry. It has been drawn up by the Technical Committee CEN/TC 207.

This draft amendment A1, if approved, will modify the European Standard EN 1335-1:2020. If this draft becomes an amendment, CEN members are bound to comply with the CEN/CENELEC Internal Regulations which stipulate the conditions for inclusion of this amendment into the relevant national standard without any alteration.

This draft amendment was established by CEN in three official versions (English, French, German). A version in any other language made by translation under the responsibility of a CEN member into its own language and notified to the CEN-CENELEC Management Centre has the same status as the official versions.

CEN members are the national standards bodies of Austria, Belgium, Bulgaria, Croatia, Cyprus, Czech Republic, Denmark, Estonia, Finland, France, Germany, Greece, Hungary, Iceland, Ireland, Italy, Latvia, Lithuania, Luxembourg, Malta, Netherlands, Norway, Poland, Portugal, Republic of North Macedonia, Romania, Serbia, Slovakia, Slovenia, Spain, Sweden, Switzerland, Turkey and United Kingdom.

[https://standards.iteh.ai/catalog/standards/sist/40bea60c-a1b5-45a1-acc3-](https://standards.iteh.ai/catalog/standards/sist/40bea60c-a1b5-45a1-acc3-b42107b8b134/sist-en-1335-1-2020-oprA1-2021)

Recipients of this draft are invited to submit, with their comments, notification of any relevant patent rights of which they are aware and to provide supporting documentation.

Warning : This document is not a European Standard. It is distributed for review and comments. It is subject to change without notice and shall not be referred to as a European Standard.



EUROPEAN COMMITTEE FOR STANDARDIZATION
COMITÉ EUROPÉEN DE NORMALISATION
EUROPÄISCHES KOMITEE FÜR NORMUNG

CEN-CENELEC Management Centre: Rue de la Science 23, B-1040 Brussels

Contents	Page
European foreword	3
1 Modification to Clause 2, Normative references	4
2 Modification to Clause 3, Terms and definitions	4
3 Modification to Clause 4, Definitions of measurements	4
4 Modification to 5.1 General	4
5 Modification to Clause 6, Test equipment including CMD	4
6 Modification to Clause 7, Measurement methods and procedures	4
7 Modification to Clause 8 Dimensional requirements	6
8 Modification to Clause 10, Test report	11
9 Modification to Annex A	11
10 Modification to Annex D	11

ITh STANDARD PREVIEW
(standards.iteh.ai)

[SIST EN 1335-1:2020/oprA1:2021
https://standards.iteh.ai/catalog/standards/sist/40bea60c-a1b5-45a1-acc3-b42107b8b134/sist-en-1335-1-2020-opra1-2021](https://standards.iteh.ai/catalog/standards/sist/40bea60c-a1b5-45a1-acc3-b42107b8b134/sist-en-1335-1-2020-opra1-2021)

European foreword

This document (EN 1335-1:2020/prA1:2021) has been prepared by Technical Committee CEN/TC 207 “Furniture”, the secretariat of which is held by UNI.

This document is currently submitted to the CEN Enquiry.

iTeh STANDARD PREVIEW (standards.iteh.ai)

[SIST EN 1335-1:2020/oprA1:2021](https://standards.iteh.ai/catalog/standards/sist/40bea60c-a1b5-45a1-acc3-b42107b8b134/sist-en-1335-1-2020-opra1-2021)
<https://standards.iteh.ai/catalog/standards/sist/40bea60c-a1b5-45a1-acc3-b42107b8b134/sist-en-1335-1-2020-opra1-2021>

EN 1335-1:2020/prA1:2021 (E)**1 Modification to Clause 2, Normative references**

Replace the following reference

ISO 24496:2017, Office furniture — Office chairs — Methods for the determination of dimensions
by

ISO 24496:2021, Office furniture — Office chairs — Methods for the determination of dimensions

2 Modification to Clause 3, Terms and definitions

Add Note 1 to entry: to definition 3.2 type Ax work chair by

“Note 1 to entry: Type Ax chair has the largest range of adjustment for the seat height, a smaller seat depth dimension and a smaller distance from the backrest to the front of the armrests”

Replace definition 3.8 foot support by

“3.8**foot support**

component intended to support the feet of the user and assist the user getting on or off a tall office work chair

Note 1 to entry: A foot support might or might not be permanently attached to the structure of a tall office work chair.”

3 Modification to Clause 4, Definitions of measurements

iTeh STANDARD PREVIEW
(standards.iteh.ai)

Replace the date in the first sentence

“2017” by “2021”

[SIST EN 1335-1:2020/oprA1:2021](https://standards.iteh.ai/catalog/standards/sist/40bea60c-a1b5-45a1-acc3-b42107b8b134/sist-en-1335-1-2020-opra1-2021)

<https://standards.iteh.ai/catalog/standards/sist/40bea60c-a1b5-45a1-acc3-b42107b8b134/sist-en-1335-1-2020-opra1-2021>

4 Modification to 5.1 General

Replace the date in the first sentence

“2017” by “2021”

5 Modification to Clause 6, Test equipment including CMD

Replace the date in the first sentence

“2017” by “2021”.

6 Modification to Clause 7, Measurement methods and procedures

Replace the date in the first and second sentence

“2017” by “2021”

In Table 1, replace the date wherever it occurs

“2017” by 2021”

In Table 1 for the following rows

Sequence 6

Replace in column 4 (ISO 24496:2017 reference) the word

“Go through” by “From” and delete “and”

Add in column 4 (ISO 24496:2017 reference)

“See also Figure 3 in this document”

Sequence 7

Replace the word in column 4 (ISO 24496:2017 reference)

“Go through” by “From” and delete “and”

Add in column 4 (ISO 24496:2017 reference)

“See also Figure 3 in this document”

Sequence 8

Replace the word in column 3 (Dimension description)

“Zero” by “0°”

Sequence 12

Delete in column 4 (ISO 24496:2017 reference)

“In derogation to ISO 24496:2017, the dimension shall be 214 mm instead of 180mm”

Sequence 14

Replace the word in column 3 (Dimension description)

“Zero” by “0°”

Sequence 21

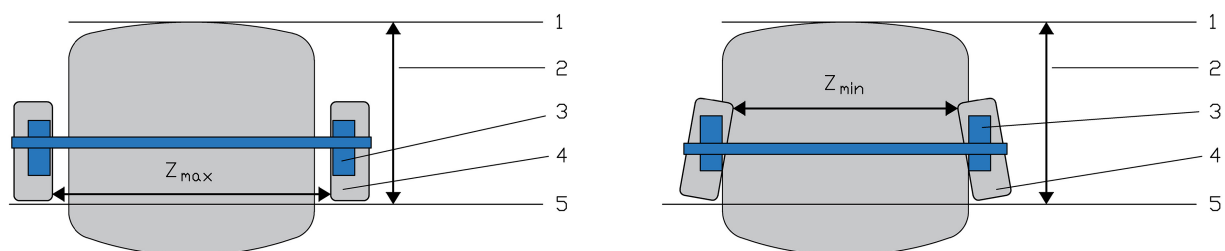
Delete in column 4 (ISO 24496:2017 reference)

“In derogation to ISO 24496:2017, measure the backrest width at the mid-position of the lumbar zone as defined in 3.18”

Replace Figure 2

By

“

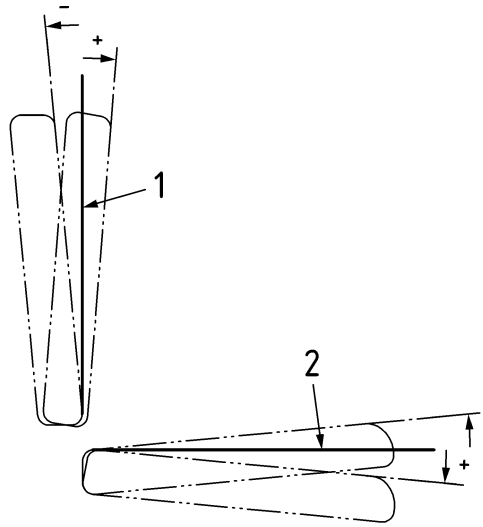


“

EN 1335-1:2020/prA1:2021 (E)

Add Figure 3

“



Key

- 1 vertical
- 2 horizontal (0°)

iTech STANDARD PREVIEW
(standards.itech.ai)

SIST EN 1335-1:2020/oprA1:2021
Figure 3 Angle - origin and sign conversion
<http://standards.itech.ai/catalog/standards/sist/en-1335-1-2020/oprA1-acc3-b42107b8b134/sist-en-1335-1-2020-oprA1-2021>

“

7 Modification to Clause 8 Dimensional requirements

Replace the whole Table 2 Dimensional requirements by

EN 1335-1:2020/prA1:2021 (E)

"Table 2 — Dimensional requirements

Dimensions in millimetres

		Type Ax					Type A					Type B					Type C				
		Allow (-)	min	max	Allow (+)	Minimum range	Allow (-)	min	max	Allow (+)	Minimum range	Allow (-)	min	max	Allow (+)	Minimum range	Allow (-)	min	max	Allow (+)	Minimum range
a^{ab}	Seat height and sitting height ^c	yes	400	540	yes	160	yes	400	520	yes	130	yes	420	510	yes	100	yes	430	480	yes	80
b	Adjustable depth of the seat	yes	380	430	yes	70	yes	425	450	yes	70	yes	425	445	yes	50	yes	425	-	yes	-
	Fixed depth of the seat	no					no					no					fixed				
f	Adjustable height of lumbar support	yes	170	300	yes	Minimum 70 within the range	yes	170	300	yes	Minimum 70 within the range	yes	170	300	yes	Minimum 50 within the range	yes	170	300	yes	-
	Fixed height of lumbar support	no					no					no					no				
Q^d	Maximum distance from the backrest to the front of the armrests	yes	-	200	no	-	yes	-	300	no	-	yes	-	350	no	-	yes	-	400	no	-

EN 1335-1:2020/prA1:2021 (E)

Dimensions in millimetres

		Type Ax					Type A					Type B					Type C				
		Allow (-)	min	max	Allow (+)	Minimum range	Allow (-)	min	max	Allow (+)	Minimum range	Allow (-)	min	max	Allow (+)	Minimum range	Allow (-)	min	max	Allow (+)	Minimum range
R^e	Hip breadth clearance when armrests are in widest position	no	480	-	yes	-	no	480	-	yes	-	no	460	-	yes	-	no	460	-	yes	-
Z^{ef}	Adjustable clear distance between armrest pads	yes	410	510	yes	-	yes	410	510	yes	-	yes	460	510	yes	-	yes	460	510	yes	-
	Fixed clear distance between armrest pads	no					no					no	460	510	no	-	no	460	-	yes	-
p	Height of armrests adjustable	yes	200	290	yes	100	yes	200	290	yes	100	yes	225	250	yes	50	yes	200	250	yes	-
	Height of armrests not adjustable	no					no					no	225	275	no	-	no	200	250	no	-