



Designation: D7095 – 04(Reapproved 2009)

# Standard Test Method for Rapid Determination of Corrosiveness to Copper from Petroleum Products Using a Disposable Copper Foil Strip<sup>1</sup>

This standard is issued under the fixed designation D7095; the number immediately following the designation indicates the year of original adoption or, in the case of revision, the year of last revision. A number in parentheses indicates the year of last reapproval. A superscript epsilon ( $\epsilon$ ) indicates an editorial change since the last revision or reapproval.

## INTRODUCTION

This test method is similar in nature to the Test Method **D130** test method, but involves three major differences. Firstly, a single-use copper foil strip is used in place of the Test Method **D130** multi-use copper strip. Secondly, a different polishing technique is used in preparing the copper foil strip, which uses a commercially available scouring-pad in place of the initial and final polishing techniques described in Test Method **D130**. Thirdly, this test method involves a shorter analysis time of 45 minutes for all product types as compared to the Test Method **D130** method requirements, which are longer; for example, two or three hours.

## 1. Scope

1.1 This test method covers the determination of the corrosiveness to copper of aviation gasoline, aviation turbine fuel, automotive gasoline, natural gasoline, or other hydrocarbons having a vapor pressure no greater than 124 kPa (18 psi), cleaners (for example, Stoddard solvent), kerosine, diesel fuel, distillate fuel oil, lubricating oil, and other petroleum products.

1.2 The values stated in SI units are to be regarded as the standard. The values in parentheses are provided for information only.

1.3 *This standard does not purport to address all of the safety concerns, if any, associated with its use. It is the responsibility of the user of this standard to establish appropriate safety and health practices and determine the applicability of regulatory limitations prior to use.* For specific warning statements, see **6.1**, **10.1.1**, and **Annex A2**.

## 2. Referenced Documents

2.1 *ASTM Standards:*<sup>2</sup>

- B152/B152M** Specification for Copper Sheet, Strip, Plate, and Rolled Bar
- D130** Test Method for Corrosiveness to Copper from Petro-

- leum Products by Copper Strip Test
- D396** Specification for Fuel Oils
- D975** Specification for Diesel Fuel Oils
- D1655** Specification for Aviation Turbine Fuels
- D1838** Test Method for Copper Strip Corrosion by Liquefied Petroleum (LP) Gases
- D4057** Practice for Manual Sampling of Petroleum and Petroleum Products
- D4177** Practice for Automatic Sampling of Petroleum and Petroleum Products
- D6615** Specification for Jet B Wide-Cut Aviation Turbine Fuel
- E1** Specification for ASTM Liquid-in-Glass Thermometers

2.2 *ASTM Adjuncts:*

ASTM Copper Strip Corrosion Standard<sup>3</sup>

## 3. Summary of Test Method

3.1 A polished copper foil strip is immersed in a specific volume of the sample being tested and heated under conditions of temperature and time that are specific to the class of material being tested. At the end of the heating period, the copper foil strip is removed, washed, and the color and tarnish level assessed against the ASTM Copper Strip Corrosion Standard.

## 4. Significance and Use

4.1 Crude petroleum contains sulfur compounds, most of which are removed during refining. However, of the sulfur compounds remaining in the petroleum product, some can have

<sup>1</sup> This test method is under the jurisdiction of ASTM Committee **D02** on Petroleum Products and Lubricants and is the direct responsibility of Subcommittee **D02.05** on Properties of Fuels, Petroleum Coke and Carbon Material.

Current edition approved Dec. 1, 2009. Published February 2010. Originally approved in 2004. Last previous edition approved in 2004 as D7095-04. DOI: 10.1520/D7095-04R09.

<sup>2</sup> For referenced ASTM standards, visit the ASTM website, [www.astm.org](http://www.astm.org), or contact ASTM Customer Service at [service@astm.org](mailto:service@astm.org). For *Annual Book of ASTM Standards* volume information, refer to the standard's Document Summary page on the ASTM website.

<sup>3</sup> Available from ASTM International Headquarters. Request Adjunct No. **ADJD0130**. Names of suppliers in the United Kingdom can be obtained from Energy Institute, 61 New Cavendish St., London, W1M 8AR, United Kingdom. One Master Standard is held at Energy Institute for reference.

a corroding action on various metals, including copper, and this corrosivity is not necessarily related to the total sulfur content. The effect can vary according to the chemical types of sulfur compounds present. This copper foil strip corrosion test is designed to assess the relative degree of corrosivity of a petroleum product towards copper and copper-containing alloys using a shorter test duration than that specified in Test Method D130.

4.2 Some sulfur species may become corrosive to copper only at higher temperatures. Thus, higher test temperatures, particularly 100°C (212°F), may be used to test some products by the pressure vessel procedure.

5. Apparatus

5.1 *Copper Foil Strip Corrosion Test Pressure Vessel*, constructed from stainless steel according to the dimensions given in Fig. 1. The vessel shall be capable of withstanding a test pressure of 700 kPa gage (100 psi). Alternative designs for the vessel's cap and synthetic rubber gasket may be used provided that the internal dimensions of the vessel are the same as those shown in Fig. 1. The internal dimensions of the pressure vessel are such that a nominal 25 by 150 mm (1 by 6 in.) test tube can be placed inside the pressure vessel.

5.2 *Test Tubes*, of borosilicate glass with nominal dimensions of 25 by 150 mm (1 by 6 in.). The internal dimensions shall be checked as acceptable by use of a copper foil strip (see 6.3). When 30 mL of liquid is added to the test tube with the copper foil strip in it, a minimum of 5 mm of liquid shall be above the top surface of the copper foil strip.

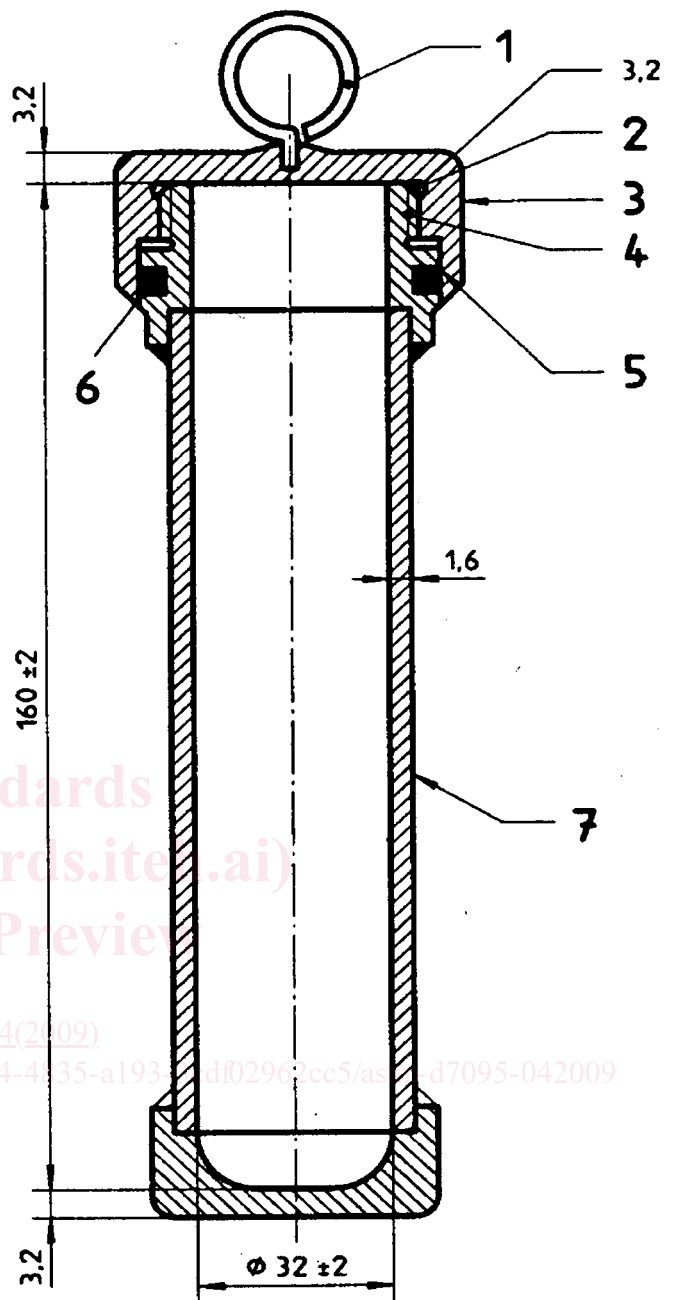
5.3 Test Baths:

5.3.1 *General*—All test baths, whether liquid or solid block, shall be capable of maintaining the test temperature to within ± 1°C (2°F) of the required test temperature, for the entire duration of the test.

5.3.2 *Bath(s) Used for Submerging Pressure Vessel(s)*—Bath(s) shall be deep enough to submerge one or more pressure vessels (see 5.1) completely during the test. It shall be fitted with suitable supports to hold each pressure vessel in a vertical position when submerged.

5.3.3 *Bath(s) Used for Test Tubes*—Bath(s) shall be fitted with suitable supports to hold each test tube (see 5.2) in a vertical position to a depth of about 100 mm (4 in.) as measured from the bottom of the test tube to the bath surface. As a liquid bath medium, water and oil have been found satisfactory and controllable at the specified test temperature and duration required by the test procedure. Solid block baths shall meet the test temperature control, test duration, and immersion conditions required by the test procedure, and shall be checked for temperature measurement (heat transfer) for each product class by running tests on tubes filled with 30 mL of product plus a copper foil strip of the given nominal dimensions, plus a temperature sensor.

5.4 *Temperature Sensing and Monitoring Device (TSMD)*, capable of sensing and monitoring the desired test temperature in the bath to within an accuracy of ± 1°C (2°F) or better. The ASTM 12C (12F) (see Specification E1) or IP64C (64F) total immersion thermometer has been found suitable for use in the



NOTE 1—Material: stainless steel; welded construction; maximum test gage pressure: 700 kPa

NOTE 2—Key:

- 1 Lifting eye
- 2 Wide groove for pressure relief
- 3 Knurled cap
- 4 Twelve threads per inch NF thread or equivalent
- 5 Camber inside cap to protect "O" ring when closing pressure vessel
- 6 Synthetic rubber "O" ring without free sulfur
- 7 Seamless tube

NOTE 3—Dimensions in millimetres.

NOTE 4—All dimensions without tolerance limits are nominal values.

FIG. 1 Pressure Vessel for the Copper Foil Strip Corrosion Test

test. If used, no more than 10 mm (0.4 in.) of the mercury should extend above the surface of the bath at the test temperature.

5.5 *Timing Device*, electronic or manual, capable of accurately measuring the test duration within the allowable tolerance.

5.6 *Forceps*, with either stainless steel or polytetrafluoroethylene (PTFE) tips, have been found suitable for use in handling the copper foil strips.

#### 5.7 *Optional Equipment:*

5.7.1 *Polishing Vise*, for holding the copper foil strip firmly without marring the edges while polishing. Any convenient type of holder (see X1.2) may be used, provided that the copper foil strip is held tightly and that the surface of the copper foil strip being polished is supported above the surface of the holder.

5.7.2 *Viewing Tubes*, flat glass test tubes, are convenient for protecting corroded copper foil strips for close inspection or storage (see X1.1 for the description of a flat-glass viewing tube). The viewing tube shall be of such dimensions as to allow the introduction of a copper foil strip (see 6.3) and made of glass free of striae or similar defects.

## 6. Reagents and Materials

6.1 *Wash Solvent*—Any volatile, less than 5 mg/kg sulfur hydrocarbon solvent may be used, provided that it shows no tarnish at all when tested for 3 h at 50°C (122°F). 2,2,4-trimethylpentane (isooctane) of minimum 99.75 % purity is the referee solvent and should be used in case of dispute. (**Warning**—Extremely flammable; see A2.1).

6.2 *Surface Preparation / Polishing Materials*—Scouring-pad made of polyester material that is free of detergents or spongy material, containing aluminum oxide as a scouring-aid. 3M Scotch Brite 86 (3M No. 05509),<sup>4,5</sup> approximately 400-grit, green-colored, heavy-duty, hand-pad, has been found suitable for use. Other commercially available 400-grit pads may be used, provided those are also made of polyester material, free of detergents or spongy material, containing aluminum oxide as a scouring-aid.

NOTE 1—3M Scotch Brite 86 pads are generally available in the form of 229 by 152 by 9.5 mm (9 by 6 by 3/8 in.) thick pads. For ease of handling and polishing, it is recommended that the pads be cut so that the dimensions of the scouring-pads are about 114 by 38 by 9.5 mm (4-1/2 by 1-1/2 by 3/8 in.).

6.3 *Copper Foil Strips*—Use copper foil strips approximately 12.5 mm (1/2 in.) wide, and 0.526 to 0.541 mm (0.0207 to 0.0213 in.) thick. Cut, straight and smooth, using a sharp tin-snip or any other metal-cutting device<sup>5,6</sup> approximately 75 mm (3 in.) long strips, from a 30.5 m (100 ft) roll of soft-temper, commercial grade Alloy 110, composed of 99.9 % copper, meeting Specification B152/B152M specifications.<sup>5,7</sup> Discard copper foil strip after each single use.

<sup>4</sup> The sole source of supply of the apparatus, Cat. No. 19-047-249, known to the committee at this time is Fisher Scientific Co., USA (www.fishersci.com).

<sup>5</sup> If you are aware of alternative suppliers, please provide this information to ASTM International Headquarters. Your comments will receive careful consideration at a meeting of the responsible technical committee,<sup>1</sup> which you may attend.

<sup>6</sup> The sole source of supply of the heavy-duty 6 in. shear, Part No. 82818, known to the committee at this time is Micro-mark, 340 Snyder Ave., Berkeley Heights, NJ 07922-1595, USA.

<sup>7</sup> The sole source of supply of the apparatus, Part No. 9053K21, known to the committee at this time is McMaster-Carr Supply Company, P.O. Box 4355, Chicago, IL 60680-4355, USA.

6.4 *Ashless Filter Paper or Disposable Gloves or Forceps (with either Stainless Steel or Polytetrafluoroethylene (PTFE)) Tips*, for use in protecting the copper foil strip from coming in contact with the individual during handling or polishing, or both.

## 7. Corrosion Standards

7.1 *ASTM Copper Strip Corrosion Standards*<sup>3</sup> consist of reproductions in color of typical test strips representing increasing degrees of tarnish and corrosion, the reproductions being encased for protection in plastic and made up in the form of a plaque.

7.1.1 Keep the plastic-encased ASTM Copper Strip Corrosion Standards protected from light to avoid the possibility of fading. Inspect for fading by comparing two different plaques, one of which has been carefully protected from light (for example, new plaque). Observe both sets in diffused daylight (or equivalent) first from a point directly above and then from an angle of 45°. If any evidence of fading is observed, particularly at the left-hand end of the plaque, it is suggested that the one that is the more faded with respect to the other be discarded.

7.1.1.1 Alternatively, place a suitably sized opaque strip (for example, 20 mm (3/4 in.) black electrical tape) across the top of the colored portion of the plaque when initially purchased. At intervals remove the opaque strip and observe. When there is any evidence of fading of the exposed portion, the standards shall be replaced.

7.1.1.2 These plaques are full-color reproductions of typical strips. They have been printed on aluminum sheets by a four-color process and are encased in plastic for protection. Directions for their use are given on the reverse side of each plaque.

7.1.2 If the surface of the plastic cover shows excessive scratching, it is suggested that the plaque be replaced.

## 8. Samples

8.1 In accordance with Practice D4057 or Practice D4177, or both, it is particularly important that all types of fuel samples that pass a low-tarnish strip classification, be collected in clean, dark glass bottles, plastic bottles, or other suitable containers that will not affect the corrosive properties of the fuel. Avoid the use of tin-plate containers for collection of samples, since experience has shown that they can contribute to the corrosiveness of the sample.

8.2 Fill the containers as completely as possible and close them immediately after taking the sample. Adequate headspace in the container is necessary to provide room for possible thermal expansion during transport. It is recommended that volatile samples be filled between 70 and 80 % of the container's capacity. Exercise care during sampling to protect the samples from exposure to direct sunlight or even diffused daylight. Carry out the test as soon as possible after receipt in the laboratory and immediately after opening the container.

8.3 If suspended water (that is, haze) is observed in the sample, dry by filtering a sufficient volume of sample through a medium rapid qualitative filter, into the prescribed clean, dry



test tube. Carry out this operation in a darkened room or under a light-protected shield.

8.3.1 Contact of the copper foil strip with water before, during, or after completion of the test run will cause staining, making it difficult to evaluate the copper foil strips.

## 9. Preparation of Test Strips

9.1 *Surface Preparation*—To prevent possible surface contamination during preparation, do not allow fingers to come in contact with the copper foil strip. Wear disposable gloves or hold the strip in the fingers protected with ashless filter paper.

9.1.1 Using a new/unused portion of a small strip of the 400-grit scouring-pad (see **Note 1**) first polish the ends, then the sides of the copper foil strip giving gentle, unidirectional strokes. Next, gently and unidirectionally, scour the long axis of the copper foil strip, carrying the stroke beyond the end of the strip before reversing the direction, until both surfaces demonstrate uniform asperities (roughness). Do not polish in a circular motion.

9.1.2 Alternatively, clamp the copper foil strip in a vise to facilitate uniform polishing.

9.1.3 Wash the copper foil strip with wash-solvent (see **6.1**), until it is free from metal dust and other foreign matter. Immediately immerse the prepared copper foil strip in either the test sample, or store it in the wash-solvent for future use.

## 10. Procedure

### 10.1 General:

10.1.1 There are a variety of test conditions, which are broadly specific to given classes of product, but within certain classes, more than one set of test conditions of time or temperature, or both, may apply. In general, aviation gasoline shall be tested in a pressure vessel at 100°C (212°F) and other high vapor pressure fuels, like natural gasoline or winter-grade gasoline at 40°C (104°F). Other liquid products shall be tested in a test tube at 50°C (122°F), 100°C (212°F) or even higher temperatures. The temperature conditions (but not the time durations) given are commonly used and are quoted in the ASTM specifications for these products tested by Test Method **D130** where such specifications exist. These are, however, guidelines only. In this procedure, test durations are defined as  $45 \pm 1$  min. Other conditions can also be used as and when required by specifications or by agreement between parties. The test conditions of time and temperature shall be recorded as part of the result (see **12.1**). (**Warning**—Some products, particularly natural gasoline, may have a much higher vapor pressure than would normally be characteristic of automotive or aviation gasolines. For this reason, extreme caution must be exercised to ensure that the pressure vessel used in this test method and containing natural gasoline or other products of high vapor pressure, is not placed in the 100°C (212°F) bath. Samples having vapor pressures in excess of 124 kPa (18 psi) may develop sufficient pressures at 100°C (212°F) to rupture the pressure vessel. For any sample having a vapor pressure above 124 kPa (18 psi), use Test Method **D1838**.)

10.2 *Pressure Vessel Procedure (PVP)*—For use with aviation gasoline, aviation turbine fuel, samples with initial boiling points (IBP) at or below test temperature, and highly volatile

samples, such as those with vapor pressures > 80 kPa at 37.8°C (100°F) (see **10.3.1.2**).

10.2.1 For aviation gasoline and aviation turbine fuel, place 30 mL of sample, completely clear and free of any suspended or entrained water (see **8.3**) into a clean and dry 25 by 150 mm (1 by 6 in.) test tube. Within 1 min after completing the surface preparation (polishing), slide the copper foil strip into the sample tube. Place the sample tube into the pressure vessel (see **Fig. 1**) and screw the lid on tightly. Note the time at which the assembly is placed in the bath. If more than one sample is to be analyzed, immerse each pressure vessel in the bath at  $100 \pm 1^\circ\text{C}$  ( $212 \pm 2^\circ\text{F}$ ), and note the time at which each specimen is placed in the bath. After  $45 \pm 1$  min in the bath, withdraw the pressure vessel and immerse it for a few minutes in cool water (tap water). Open the pressure vessel, withdraw the test tube and examine the copper foil strip as described in **10.4**. Discard the copper foil strip after use.

10.2.2 For natural gasoline, samples with initial boiling points (IBP) at or below test temperature, and highly volatile samples, such as those (for example, winter-grade gasoline) with vapor pressures > 80 kPa at 37.8°C (100°F), carry out the test exactly as described in **10.2.1**, but at 40°C (104°F) and for  $45 \pm 1$  min. Discard the copper foil strip after use. (See warning statement in **1.1**.)

10.3 *Test Tube Procedure (TTP)*—For use with samples with IBP above test temperature (for example, for use with most liquid or middle distillate products).

10.3.1 For diesel fuel, fuel oil, automotive gasoline, place 30 mL of sample, completely clear and free of any suspended or entrained water (see **8.3**) into a clean, dry 25 by 150 mm (1 by 6 in.) test tube, and, within 1 min after completing the surface preparation (polishing), slide the copper foil strip into the sample tube. Stopper the tube with a vented-cork having about 45 mm (1-3/4 in.) length of a 4 mm (1/8 in.) inside diameter (and about 6 mm (1/4 in. outside diameter)) plastic or glass tubing passing through it. For gasoline samples, place a plastic-cap with a pin-hole in it, over the plastic or glass tubing to reduce evaporation. Place the tube in a bath maintained at  $50 \pm 1^\circ\text{C}$  ( $122 \pm 2^\circ\text{F}$ ), and note the time at which the tube is placed in the bath. Protect the contents of the test tube from strong light during the test. If more than one sample is to be analyzed, immerse each test tube in the bath, and note the time at which each specimen is placed in the bath. After  $45 \pm 1$  min in the bath, withdraw the test tube and examine the copper foil strip as described in **10.4**. Discard the copper foil strip after use.

10.3.1.1 For tests on fuel oil and diesel fuel, using specifications other than Specifications **D396** and **D975**, a temperature of 100°C (212°F) for  $45 \pm 1$  min may be used as an alternative set of conditions.

10.3.1.2 Some automotive gasolines with vapor pressure above 80 kPa at 37.8°C (100°F) have exhibited evaporation losses in excess of 10 % of their volume. If such evaporation losses are apparent, it is recommended that the pressure vessel procedure (see **10.2**) be used.

10.3.2 For cleaners (for example, Stoddard solvent) and kerosine, carry out the test exactly as described in **10.3.1** but at  $100 \pm 1^\circ\text{C}$  ( $212 \pm 2^\circ\text{F}$ ). Discard the copper foil strip after use.