

FINAL  
DRAFT

INTERNATIONAL  
STANDARD

ISO/FDIS  
14881

ISO/TC 172/SC 9

Secretariat: DIN

Voting begins on:  
2021-07-14

Voting terminates on:  
2021-09-08

---

---

## Integrated optics — Interfaces — Parameters relevant to coupling properties

*Optique intégrée — Interfaces — Paramètres caractérisant les  
propriétés de couplage*

**iTeh STANDARD PREVIEW**  
**(standards.iteh.ai)**

[ISO/FDIS 14881](#)

<https://standards.iteh.ai/catalog/standards/sist/23744cf0-fbd5-452f-a24e-3e4326befee8/iso-fdis-14881>

RECIPIENTS OF THIS DRAFT ARE INVITED TO SUBMIT, WITH THEIR COMMENTS, NOTIFICATION OF ANY RELEVANT PATENT RIGHTS OF WHICH THEY ARE AWARE AND TO PROVIDE SUPPORTING DOCUMENTATION.

IN ADDITION TO THEIR EVALUATION AS BEING ACCEPTABLE FOR INDUSTRIAL, TECHNOLOGICAL, COMMERCIAL AND USER PURPOSES, DRAFT INTERNATIONAL STANDARDS MAY ON OCCASION HAVE TO BE CONSIDERED IN THE LIGHT OF THEIR POTENTIAL TO BECOME STANDARDS TO WHICH REFERENCE MAY BE MADE IN NATIONAL REGULATIONS.

**ISO/CEN PARALLEL PROCESSING**



Reference number  
ISO/FDIS 14881:2021(E)

© ISO 2021

**iTeh STANDARD PREVIEW**  
**(standards.iteh.ai)**

ISO/FDIS 14881

<https://standards.iteh.ai/catalog/standards/sist/23744cf0-fbd5-452f-a24e-3e4326befee8/iso-fdis-14881>



**COPYRIGHT PROTECTED DOCUMENT**

© ISO 2021

All rights reserved. Unless otherwise specified, or required in the context of its implementation, no part of this publication may be reproduced or utilized otherwise in any form or by any means, electronic or mechanical, including photocopying, or posting on the internet or an intranet, without prior written permission. Permission can be requested from either ISO at the address below or ISO's member body in the country of the requester.

ISO copyright office  
CP 401 • Ch. de Blandonnet 8  
CH-1214 Vernier, Geneva  
Phone: +41 22 749 01 11  
Email: [copyright@iso.org](mailto:copyright@iso.org)  
Website: [www.iso.org](http://www.iso.org)

Published in Switzerland

# Contents

	Page
<b>Foreword</b> .....	<b>iv</b>
<b>Introduction</b> .....	<b>v</b>
<b>1 Scope</b> .....	<b>1</b>
<b>2 Normative references</b> .....	<b>1</b>
<b>3 Terms and definitions</b> .....	<b>1</b>
<b>4 Properties relevant to coupling</b> .....	<b>5</b>
4.1 General.....	5
4.2 Chip geometry (see <a href="#">Figure 3</a> ).....	5
4.3 Waveguide geometry (see <a href="#">Figure 4</a> ).....	5
4.4 Fibre tolerances.....	6
4.5 Endface properties (see <a href="#">Figure 5</a> ).....	6
4.6 Spot size.....	7
<b>Annex A (informative)</b> .....	<b>8</b>
<b>Bibliography</b> .....	<b>9</b>

## iTeh STANDARD PREVIEW (standards.iteh.ai)

[ISO/FDIS 14881](#)

<https://standards.iteh.ai/catalog/standards/sist/23744cf0-fbd5-452f-a24e-3e4326befee8/iso-fdis-14881>

## Foreword

ISO (the International Organization for Standardization) is a worldwide federation of national standards bodies (ISO member bodies). The work of preparing International Standards is normally carried out through ISO technical committees. Each member body interested in a subject for which a technical committee has been established has the right to be represented on that committee. International organizations, governmental and non-governmental, in liaison with ISO, also take part in the work. ISO collaborates closely with the International Electrotechnical Commission (IEC) on all matters of electrotechnical standardization.

The procedures used to develop this document and those intended for its further maintenance are described in the ISO/IEC Directives, Part 1. In particular the different approval criteria needed for the different types of ISO documents should be noted. This document was drafted in accordance with the editorial rules of the ISO/IEC Directives, Part 2 (see [www.iso.org/directives](http://www.iso.org/directives)).

Attention is drawn to the possibility that some of the elements of this document may be the subject of patent rights. ISO shall not be held responsible for identifying any or all such patent rights. Details of any patent rights identified during the development of the document will be in the Introduction and/or on the ISO list of patent declarations received (see [www.iso.org/patents](http://www.iso.org/patents)).

Any trade name used in this document is information given for the convenience of users and does not constitute an endorsement.

For an explanation on the voluntary nature of standards, the meaning of ISO specific terms and expressions related to conformity assessment, as well as information about ISO's adherence to the World Trade Organization (WTO) principles in the Technical Barriers to Trade (TBT) see the following URL: [www.iso.org/iso/foreword.html](http://www.iso.org/iso/foreword.html). (standards.iteh.ai)

This document was prepared by Technical Committee ISO/TC 172 *Optics and photonics*, Subcommittee SC 9, *Laser and electro optical systems*. In collaboration with the European Committee for Standardization (CEN) Technical Committee CEN/TC 123, *Lasers and photonics*, in accordance with the agreement on technical cooperation between ISO and CEN (Vienna Agreement).

This second edition cancels and replaces the first edition (ISO 14881:2001), which has been technically revised. The main changes compared to the previous edition are as follows:

- Terminologies that have not been frequently used over the last 5 to 10 years are revised to those matching to current trends.
- In the revision process, terminologies and definitions are compared to similar terminology definitions in IEC and harmonized.

Any feedback or questions on this document should be directed to the user's national standards body. A complete listing of these bodies can be found at [www.iso.org/members.html](http://www.iso.org/members.html).

## Introduction

The aim of this document is to clarify the terms of the field of “integrated optics” and to define a unified vocabulary. It is expected that this document will be revised periodically to adopt the requirements of customers and suppliers of integrated optical products. At a later stage, it is planned to add definitions from other International Standards which deal with integrated optics.

Some of the definitions are closely related to definitions given in IEC 60050-731. Wherever this can lead to misunderstanding, integrated optics or integrated optical waveguide should be used together with the defined term.

**iTeh STANDARD PREVIEW**  
**(standards.iteh.ai)**

[ISO/FDIS 14881](https://standards.iteh.ai/catalog/standards/sist/23744cf0-fbd5-452f-a24e-3e4326befee8/iso-fdis-14881)

<https://standards.iteh.ai/catalog/standards/sist/23744cf0-fbd5-452f-a24e-3e4326befee8/iso-fdis-14881>

**iTeh STANDARD PREVIEW**  
**(standards.iteh.ai)**

ISO/FDIS 14881

<https://standards.iteh.ai/catalog/standards/sist/23744cf0-fbd5-452f-a24e-3e4326befee8/iso-fdis-14881>

# Integrated optics — Interfaces — Parameters relevant to coupling properties

## 1 Scope

This document defines the relevant properties for coupling lightwaves into and out of integrated optical chips (IOC) and chips with photonic integrated circuits (PIC). This document mainly focuses on butt coupling via the waveguide endfaces. The definitions provide the basis for specifying the elements to be coupled (e. g. fibres, integrated optical chips) related to coupling properties.

## 2 Normative references

The following documents are referred to in the text in such a way that some or all of their content constitutes requirements of this document. For dated references, only the edition cited applies. For undated references, the latest edition of the referenced document (including any amendments) applies.

ISO 4288, *Geometrical Product Specifications (GPS) — Surface texture: Profile method — Rules and procedures for the assessment of surface texture*

ISO 11807-1:—, *Integrated optics — Vocabulary — Part 1: Basic terms and symbols*

ISO 11807-2, *Integrated optics — Vocabulary — Part 2: Terms used in classification*

IEC 60793-1-20, *Optical fibres — Part 1-20: Measurement methods and test procedures — Fibre geometry*  
ISO/FDIS 14881

## 3 Terms and definitions

<https://standards.iteh.ai/catalog/standards/sist/23744cf0-fbd5-452f-a24e-3e4326befee8/iso-fdis-14881>

For the purposes of this International Standard, the terms and definitions given in ISO 11807-1 and ISO 11807-2 and the following apply.

ISO and IEC maintain terminological databases for use in standardization at the following addresses:

— ISO Online browsing platform: available at <https://www.iso.org/obp>

— IEC Electropedia: available at <https://www.electropedia.org/>

Note 1 to entry A list of relevant terms and symbols can be found in [Annex A](#).

### 3.1

#### adiabatic coupling

coupling of fibre and tapered waveguide or two waveguides one of which, at least is tapered to utilize mode coupling without optical power loss for maximum *coupling efficiency* (3.9)

### 3.2

#### anti-reflective coating of endfaces

thin film coating on the endfaces of optical chips designed to reduce the *Fresnel loss* (3.15)

### 3.3

#### array block

mechanical alignment structure of micrometre or submicrometre precision for the reception of optical fibres adopted in *single-fibre coupling* (3.21) and *fibre array coupling* (3.12)

Note 1 to entry: The alignment structures, which are generally arranged in a regular pattern, determine the position of the fibres with respect to each other. These positions are defined by the fibre's cladding diameter and the geometry of the alignment structures.

Note 2 to entry: An array block may have additional guiding structures for the alignment of the array with an integrated optical chip (see e. g. V-groove array, fixed alignment structure).

**3.4 beam axis**

line connecting the centroids defined by the first spatial moment of the cross-sectional profile of the power density distribution of the guided lightwave at successive positions in the direction of propagation of the lightwave

**3.5 butt coupling**

coupling of waveguide and fibre, two waveguides, or two fibres with their endfaces in physical contact or nearly in physical contact

**3.6 chip endface**  
**optical facet**

chip-limiting plane, which contains the optical interface(s)

Note 1 to entry: See [Figure 1](#).

**3.7 chip side facet**

chip-limiting plane, which contains no optical interface(s)

Note 1 to entry: See [Figure 1](#).

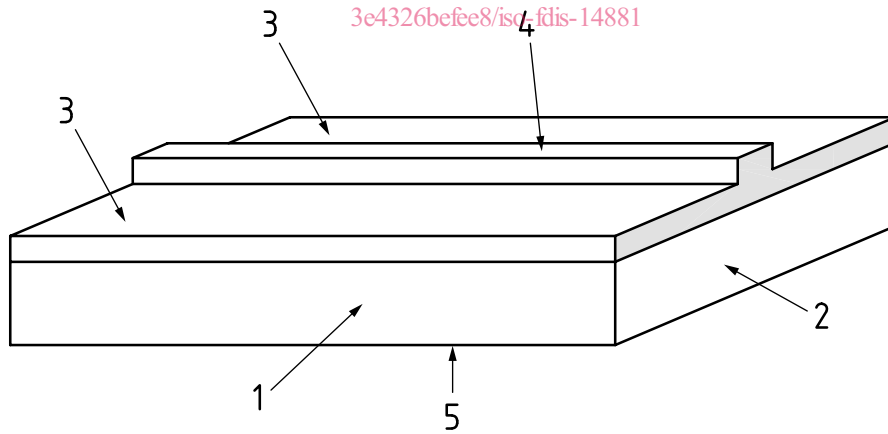
**iTeh STANDARD PREVIEW**  
**(standards.iteh.ai)**

**3.8 chip surface**

plane on the top or bottom of the chip parallel to the plane of the waveguide(s)

[ISO/FDIS 14881](#)

Note 1 to entry: See [Figure 1](#). <https://standards.iteh.ai/catalog/standards/sist/23744cf0-fbd5-452f-a24e-3e4326befee8/iso-fdis-14881>



**Key**

- |                                   |                                    |
|-----------------------------------|------------------------------------|
| 1 chip side facet                 | 4 chip surface (top)/optical facet |
| 2 waveguide endface/optical facet | 5 chip surface (bottom)            |
| 3 waveguide surface (top)         |                                    |

**Figure 1 — Integrated optical chip structure**



### 3.9 coupling efficiency

$\eta$

ratio of the optical power coupled into the endface of an optical element 2 (e. g. fibre core or waveguide endface) to the emitted optical power at the output endface of the element 1 (e.g. fibre and waveguide)

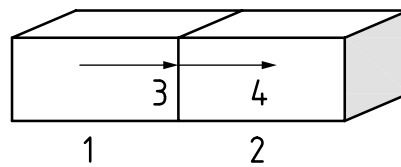
$$\eta = P_2 / P_1$$

where

$P_2$  is the optical power into optical element 2 at the input endface;

$P_1$  is the optical power from optical element 1 at the output endface;

Note 1 to entry: See [Figure 2](#).



#### Key

1 element 1

3  $P_1$

2 element 2

4  $P_2$

iTeh STANDARD PREVIEW  
(standards.iteh.ai)

Figure 2 — Schematic of two-endface coupling

ISO/FDIS 14881

<https://standards.iteh.ai/catalog/standards/sist/23744cf0-fbd5-452f-a24e-3e4326befee8/iso-fdis-14881>

### 3.10 coupling loss

$\alpha_c$

loss of optical power obtained when the lightwave is coupled from the output endface of one optical element 1 (e.g. fibre core or *chip endface* (3.6)) into the input endface of another optical element 2

$$\alpha_c = -10 \lg(P_2 / P_1) \text{ dB}$$

where

$P_2$  is the optical power in optical element 2 at the input endface;

$P_1$  is the optical power from optical element 1 at the output endface;

Note 1 to entry: Coupling losses can be caused by e. g. radial, axial or angular misalignment or unmatched mode fields. The coupling loss is the logarithmic value of the coupling efficiency.

Note 2 to entry: Coupling loss is expressed in decibels.

[SOURCE: ISO 11807-1:—, 3.6.5, modified —Note 1 to entry was added.]

### 3.11 fibre array

*array block* (3.3) with inserted and fixed optical fibres, in which the fibre cores are aligned in one plane

### 3.12

#### **fibre array coupling**

coupling that connects several optical fibres simultaneously with several corresponding waveguide endfaces

Note 1 to entry: The fibres are already arranged and fixed in the array block. The pitch of the array corresponds to the pitch of the integrated optical chip. The method of alignment between the fibre array and the integrated optical chip and the way of fixation depend on the type of the fibre array.

### 3.13

#### **fibre arrays coupling deviation**

difference between maximum and minimum *coupling losses* (3.10) of the single fibres in a *fibre array* (3.11)

### 3.14

#### **fixed alignment structure**

precise mechanical structure to enable coupling of optical and electro-optical elements without the need for adjustment

EXAMPLE Elements coupled may include optical fibres, fibre arrays, detectors, lasers, LEDs, and integrated optical chips.

### 3.15

#### **Fresnel loss**

loss of optical power caused by reflection at the interface of two media with different refractive indices

### 3.16

#### **index matching**

refractive index adjustment by inserting at least one of the interfacial layers between two media (e.g. waveguide endface) with different refractive indices in order to reduce *Fresnel losses* (3.15) (e. g. *quarter-wave layer* (3.18))

iTeh STANDARD PREVIEW  
(standards.iteh.ai)

[ISO/FDIS 14881](https://standards.iteh.ai/catalog/standards/sist/23744cf0-fbd5-452f-a24e-3e4326befee8/iso-fdis-14881)

<https://standards.iteh.ai/catalog/standards/sist/23744cf0-fbd5-452f-a24e-3e4326befee8/iso-fdis-14881>

### 3.17

#### **pitch**

$p$

distance between the centres of adjacent fibre or waveguide cores, which may vary along the beam axis

Note 1 to entry:  $p_x, p_y$  are defined as pitch in the  $x, y$ -direction, respectively.

### 3.18

#### **$\lambda/4$ layer**

optical coating with a thickness of  $\lambda/(4n_s)$  to minimize (ideally vanishing) the interference by reflection, where  $n_s = \sqrt{n_1 \cdot n_2}$ , is the refractive index of the coating when the refractive indices of two media are  $n_1$  and  $n_2$

Note 1 to entry:  $\lambda/4$  layers are usually used at optical interfaces (e.g. waveguide endfaces) to air as an alternative to index matching.

### 3.19

#### **reference mark**

mark used as reference for alignment of optical components

### 3.20

#### **reflective coating of endface**

thin film applied on the waveguide endface to give a desired reflectance

Note 1 to entry:  $\lambda/4$  layer is one of the examples of anti-reflective coating of endface.