



Designation: C1433M – 10

# Standard Specification for Precast Reinforced Concrete Monolithic Box Sections for Culverts, Storm Drains, and Sewers (Metric)<sup>1</sup>

This standard is issued under the fixed designation C1433M; the number immediately following the designation indicates the year of original adoption or, in the case of revision, the year of last revision. A number in parentheses indicates the year of last reapproval. A superscript epsilon ( $\epsilon$ ) indicates an editorial change since the last revision or reapproval.

## 1. Scope

1.1 This specification covers single-cell precast reinforced concrete box sections cast monolithically and intended to be used for the construction of culverts and for the conveyance of storm water industrial wastes and sewage.

1.2 This specification is the SI companion to Specification C1433.

NOTE 1—This specification is primarily a manufacturing and purchasing specification. However, standard designs are included and the criteria used to develop these designs are given in [Appendix X1](#). The successful performance of this product depends upon the proper selection of the box section, bedding, backfill, and care that the installation conforms to the construction specifications. The purchaser of the precast reinforced concrete box sections specified herein is cautioned that he must properly correlate the loading conditions and the field requirements with the box section specified and provide for inspection at the construction site.

## 2. Referenced Documents

2.1 *ASTM Standards*:<sup>2</sup>

[A82/A82M Specification for Steel Wire, Plain, for Concrete Reinforcement](#)

[A185/A185M Specification for Steel Welded Wire Reinforcement, Plain, for Concrete](#)

[A496/A496M Specification for Steel Wire, Deformed, for Concrete Reinforcement](#)

[A497/A497M Specification for Steel Welded Wire Reinforcement, Deformed, for Concrete](#)

[A615/A615M Specification for Deformed and Plain Carbon-Steel Bars for Concrete Reinforcement](#)

[C31/C31M Practice for Making and Curing Concrete Test Specimens in the Field](#)

[C33 Specification for Concrete Aggregates](#)

[C39/C39M Test Method for Compressive Strength of Cylindrical Concrete Specimens](#)

[C150 Specification for Portland Cement](#)

[C309 Specification for Liquid Membrane-Forming Compounds for Curing Concrete](#)

[C497M Test Methods for Concrete Pipe, Manhole Sections, or Tile \(Metric\)](#)

[C595 Specification for Blended Hydraulic Cements](#)

[C618 Specification for Coal Fly Ash and Raw or Calcined Natural Pozzolan for Use in Concrete](#)

[C822 Terminology Relating to Concrete Pipe and Related Products](#)

[C989 Specification for Slag Cement for Use in Concrete and Mortars](#)

2.2 *AASHTO Standards*:<sup>3</sup>

[Standard Specifications for Highway Bridges](#)

## 3. Terminology

3.1 *Definitions*—For definitions of terms relating to concrete pipe, see Terminology [C822](#).

## 4. Types

4.1 Precast reinforced concrete box sections manufactured in accordance with this specification shall be one of two types identified in [Tables 1 and 2](#), and shall be designated by type, span, rise, and design earth cover.

## 5. Basis of Acceptance

5.1 Acceptability of the box sections produced in accordance with Section 7 shall be determined by the results of the concrete compressive strength tests described in Section 10, by the material requirements described in Section 6, and by inspection of the finished box sections.

5.2 Box sections shall be considered ready for acceptance when they conform to the requirements of this specification.

## 6. Material

6.1 *Reinforced Concrete*—The reinforced concrete shall consist of cementitious materials, mineral aggregates and

<sup>1</sup> This specification is under the jurisdiction of ASTM Committee C13 on Concrete Pipe and is the direct responsibility of Subcommittee C13.07 on Acceptance Specifications and Precast Concrete Box Sections.

Current edition approved March 15, 2010. Published March 2010. Originally approved in 1999. Last previous edition approved in 2009 as C1433M – 09. DOI: 10.1520/C1433M-10.

<sup>2</sup> For referenced ASTM standards, visit the ASTM website, [www.astm.org](http://www.astm.org), or contact ASTM Customer Service at [service@astm.org](mailto:service@astm.org). For *Annual Book of ASTM Standards* volume information, refer to the standard's Document Summary page on the ASTM website.

<sup>3</sup> Available from American Association of State Highway and Transportation Officials (AASHTO), 444 N. Capitol St., NW, Suite 249, Washington, DC 20001.

water, in which steel has been embedded in such a manner that the steel and concrete act together.

**6.2 Cementitious Materials:**

**6.2.1 Cement**—Cement shall conform to the requirements for portland cement of Specification **C150** or shall be portland blast-furnace slag cement or portland-pozzolan cement conforming to the requirements of Specification **C595**, except that the pozzolan constituent in the Type IP portland pozzolan cement shall be fly ash.

**6.2.2 Fly Ash**—Fly ash shall conform to the requirements of Specification **C618**, Class F or Class C.

**6.2.3 Ground Granulated Blast-Furnace Slag (GGBFS)**—GGBFS shall conform to the requirements of Grade 100 or 120 of Specification **C989**.

**6.2.4 Allowable Combinations of Cementitious Materials**—The combination of cementitious materials used in concrete shall be one of the following:

- 6.2.4.1 Portland cement only,
- 6.2.4.2 Portland blast furnace slag cement only,
- 6.2.4.3 Slag modified portland cement only,
- 6.2.4.4 Portland pozzolan cement only,
- 6.2.4.5 A combination of portland cement and fly ash.
- 6.2.4.6 A combination of portland cement and ground granulated blast-furnace slag,
- 6.2.4.7 A combination of portland cement, ground granulated blast-furnace slag (not to exceed 25 % of the total cementitious weight), and fly ash (not to exceed 25 % of the total cementitious weight).

**6.3 Aggregates**—Aggregates shall conform to Specification **C33**, except that the requirements for gradation shall not apply.

**6.4 Admixtures and Blends**—Admixtures and blends shall be allowed to be used with the approval of the purchaser.

**6.5 Steel Reinforcement**—Reinforcement shall consist of welded wire reinforcement conforming to Specifications **A185/A185M** or **A497/A497M**. Circumferential reinforcement areas in **Tables 1 and 2** are based solely on the use of welded wire reinforcement, refer to **11.6** if alternate steel designs utilizing steel bars, Grade 60, in conjunction with or in lieu of welded

wire reinforcement are to be submitted for the owner's approval. Longitudinal distribution reinforcement shall be allowed to consist of welded wire reinforcement or deformed billet-steel bars conforming to Specification **A615/A615M**, Grade 60.

**7. Design**

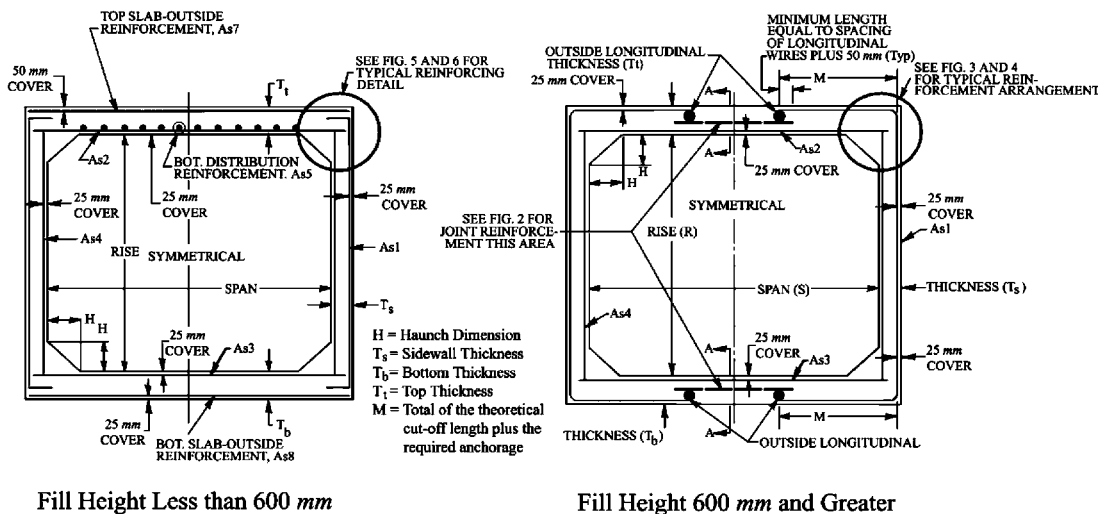
**7.1 Design Tables**—The box section dimensions, compressive strength of the concrete, and reinforcement details shall be as prescribed in **Table 1** or **Table 2** and **Figs. 1-4**, subject to the provisions of Section **11**. **Table 1** sections are designed for combined earth dead load and AASHTO HS20 live load conditions. **Table 2** sections are designed for combined earth dead load and interstate live load conditions when the interstate live loading exceeds the HS20 live loading. Criteria used to develop **Tables 1 and 2** are given in **Appendix X1**.

**NOTE 2**—The tabular designs in this specification were prepared according to AASHTO Standard Specifications for Highway Bridges, 1997 Edition.

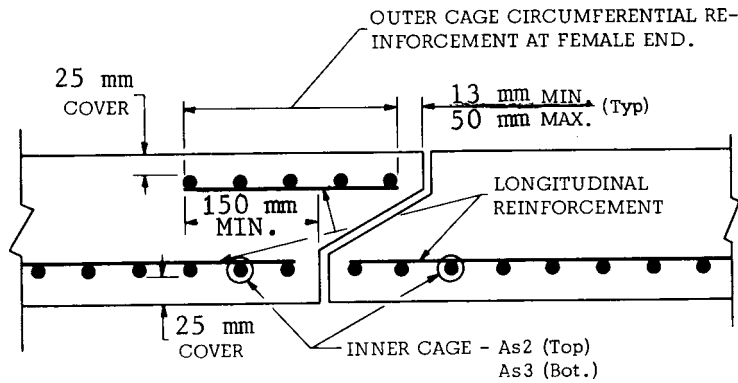
**7.2 Modified and Special Designs for Monolithic Structures**—The manufacturer shall request approval by the purchaser of modified designs which differ from the designs in Section **7.1**, or special designs for sizes and loads other than those shown in **Tables 1 and 2**. When spans are required that exceed those prescribed in **Table 1** or **Table 2**, the design shall be based on the criteria given in **Appendix X1**. In addition, the span shall be designed to have adequate stiffness to limit deflection as given in Section **8.9** of *AASHTO Standard Specification for Highway Bridges* (latest edition).

**NOTE 3**—Construction procedures, such as heavy equipment movement or stockpiling of material over or adjacent to a box structure, can induce higher loads than those used for the structure's final design. These construction and surcharge loads are approved as long as the final steel areas in the box are larger than those the box will experience in the final installation condition. The design engineer should take into consideration the potential for higher loads induced by construction procedures in determining the final design of the box structure.

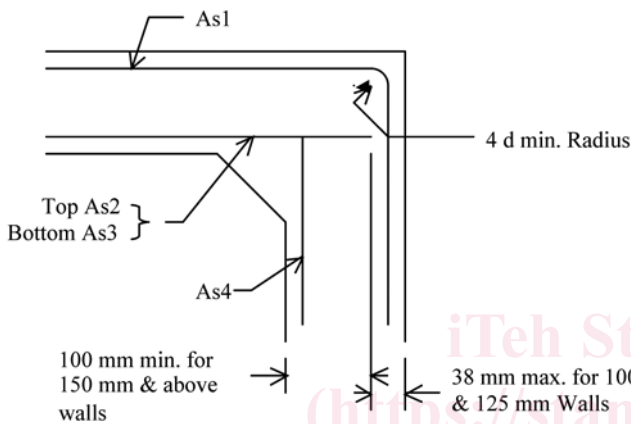
**7.3 Placement of Reinforcement**—The cover of concrete over the circumferential reinforcement shall be 25 mm, subject to the provisions of Section **11**. The inside circumferential



**FIG. 1 Typical Box Sections**

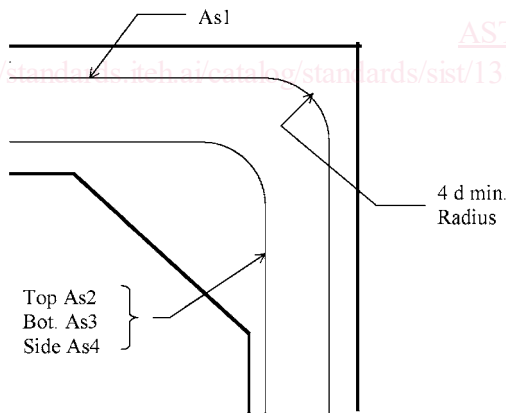


**FIG. 2 Section A-A Top and Bottom Slab Joint Reinforcement**



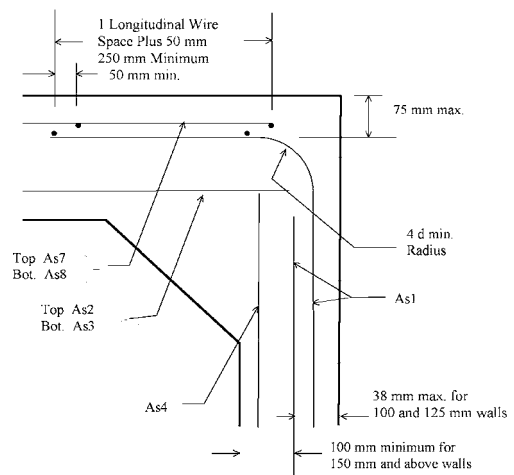
**FIG. 3 Detail Inner Reinforcement**

fastened together to form a single cage. All other specification requirements such as laps, welds, and tolerances of placement in the wall of the box section shall apply to this method of fabricating a reinforcement cage. A common reinforcement unit may be utilized for both  $A_{s2}$  (or  $A_{s3}$ ) and  $A_{s4}$ , and also for both  $A_{s7}$  (or  $A_{s8}$ ) and  $A_{s1}$ , with the largest area requirement governing, bending the reinforcement at the corners and waiving the extension requirements of Fig. 3 (see Fig. 5). When a single cage of multiple circumferential steel areas is used for  $A_{s2}$  (or  $A_{s3}$ ) and  $A_{s4}$  reinforcement, the slab or wall requiring the larger steel area shall have this additional circumferential steel extending for the full length of the slab or wall. The welded-wire reinforcement shall be composed of circumferential and longitudinal wires meeting the spacing requirements of 7.4 and shall contain sufficient longitudinal wires extending through the box section to maintain the shape and position of reinforcement. Longitudinal distribution reinforcement may be welded-wire reinforcement or deformed billet-steel bars and shall meet the spacing requirements of 7.4. The ends of the longitudinal distribution reinforcement shall not be more than 2 in. from the ends of the box section. The exposure of the ends of longitudinals, stirrups, and spacers used to position the reinforcement shall not be a cause for rejection.



**FIG. 4 Detail Option (see Fig. 3)**

reinforcement shall extend into the tongue portion of the joint and the outside circumferential reinforcement shall extend into the groove portion of the joint. The clear distance of the end circumferential wires shall be not less than 13 mm nor more than 50 mm from the ends of the box section. Reinforcement shall be assembled utilizing any combination of single or multiple layers of welded-wire reinforcement. Multiple layers shall not be separated by more than the thickness of one longitudinal wire plus 6 mm. The multiple layers shall be



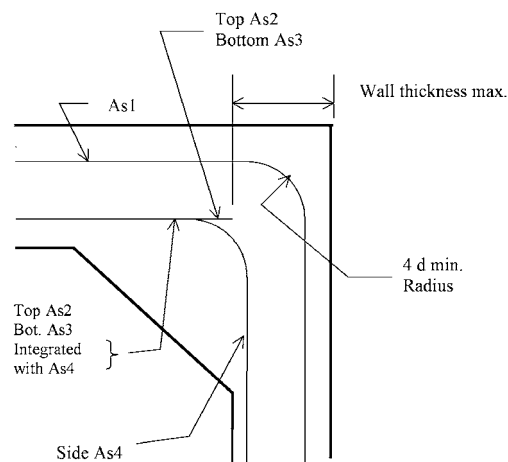
**FIG. 5 Detailed Reinforcement Arrangement**

7.4 *Laps, Welds, and Spacing*—Splices in the circumferential reinforcement shall be made by lapping. The overlap measured between the outermost longitudinal wires of each reinforcement sheet shall not be less than the spacing of the longitudinal wires plus 50 mm but not less than 250 mm. If  $A_{s1}$  is extended to the middle of either slab and connected, welded splices are not prohibited in the connection. When used,  $A_{s7}$  and  $A_{s8}$  shall be lapped with  $A_{s1}$  as shown in Figs. 5 and 6 (see also Fig. 7 and Fig. 8). If welds are made to circumferential reinforcement, they shall be made only to selected circumferential wires that are not less than 450 mm apart along the longitudinal axis of the box section. Also, when spacers are welded to circumferential wires, they shall be welded only to these selected circumferential wires. There shall be no welding to other circumferential wires, except it is not prohibited for  $A_{s4}$  to be lapped and welded at any location or connected by welding at the corners to  $A_{s2}$  and  $A_{s3}$ . No welds shall be made to  $A_{s2}$  or  $A_{s3}$  circumferential wires in the middle third of the span (see Fig. 9 for welding restrictions). When distribution reinforcement is to be fastened to a cage by welding, it shall be welded only to longitudinal wires and only near the ends of the box section. The spacing center to center of the circumferential wires shall not be less than 50 mm nor more than 100 mm. The spacing center to center of the longitudinal wires shall not be more than 200 mm.

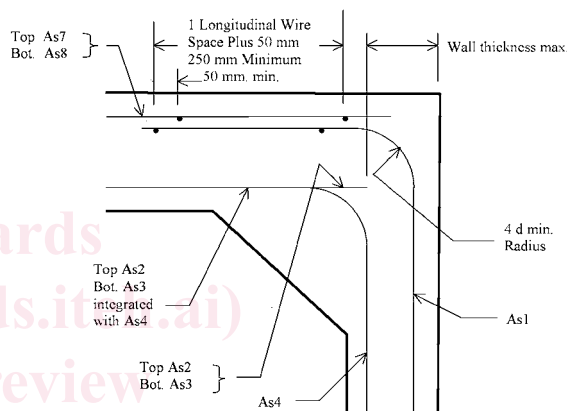
**8. Joints**

8.1 The precast reinforced concrete box sections shall be produced with tongue and groove ends. The ends shall be of such design and the ends of the box sections so formed that the sections can be laid together to make a continuous line of box sections compatible with the permissible variations given in Section 11.

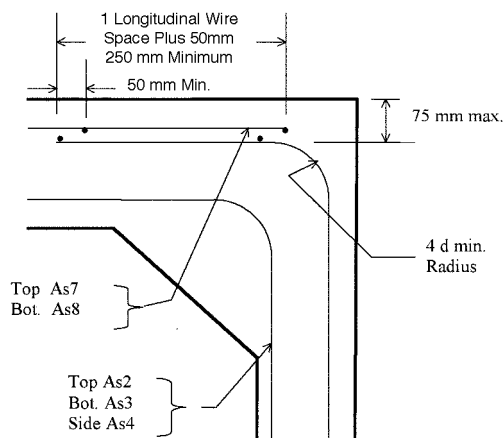
8.2 Outer cage circumferential reinforcement as shown in Figs. 1 and 2 shall be placed in the top and bottom slabs at the groove portion of the joint when  $A_{s1}$  is not continuous over the span. The minimum area of such reinforcement in square millimeters per linear meter of box section length shall be the same as the areas specified for  $A_{s4}$  in Tables 1 and 2.



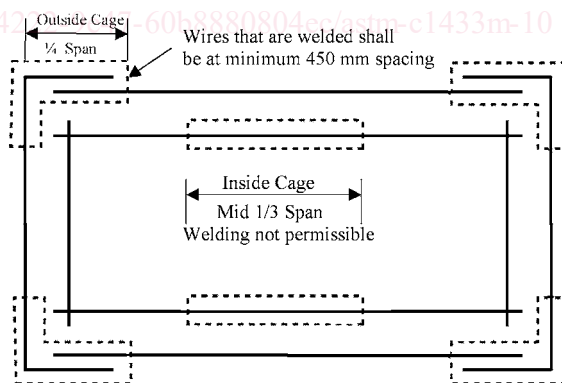
**FIG. 7 Alternate Detail**



**FIG. 8 Alternate Detail**



**FIG. 6 Detail Option**



**FIG. 9 Critical Zones of High Stress Where Welding is Restricted**

**9. Manufacture**

9.1 *Mixture*—The aggregates shall be sized, graded, proportioned, and mixed with such proportions of cementitious materials and water as will produce a homogeneous concrete mixture of such quality that the pipe will conform to the test and design requirements of this specification. All concrete shall have a water-cementitious materials ratio not exceeding 0.53 by weight. Cementitious materials shall be as specified in 6.2

and shall be added to the mix in a proportion not less than 280 kg/m<sup>3</sup> unless mix designs with a lower cementitious materials content demonstrate that the quality and performance of the pipe meet the requirements of this specification.

9.2 *Curing*—The box sections shall be cured for a sufficient length of time so that the concrete will develop the specified compressive strength in 28 days or less. Any one of the following methods of curing or combinations thereof shall be allowed to be used:

9.2.1 *Steam Curing*—The box sections shall be allowed to be low pressure, steam-cured by a system that will maintain a moist atmosphere.

9.2.2 *Water Curing*—The box sections shall be allowed to be water-cured by any method that will keep the sections moist.

9.2.3 *Membrane Curing*—A sealing membrane conforming to the requirements of Specification C309 may be applied and shall be left intact until the required concrete compressive strength is attained. The concrete temperature at the time of application shall be within 6°C of the atmospheric temperature. All surfaces shall be kept moist prior to the application of the compounds and shall be damp when the compound is applied.

9.3 *Forms*—The forms used in manufacture shall be sufficiently rigid and accurate to maintain the box section dimensions within the permissible variations given in Section 11. All casting surfaces shall be of smooth nonporous material.

9.4 *Handling*—Handling devices or holes shall be permitted in each box section for the purpose of handling and laying.

## 10. Physical Requirements

10.1 *Type of Test Specimen*—Compression tests for determining concrete compressive strength shall be allowed to be made on either standard rodded concrete cylinders or concrete cylinders compacted and cured in like manner as the box sections, or on cores drilled from the box section.

### 10.2 *Compression Testing of Cylinders:*

10.2.1 Cylinders shall be obtained and tested for compressive strength in accordance with the provisions of Practice C31/C31M and Test Method C39/C39M, except that the cylinders may be prepared by methods comparable to those used to consolidate and cure the concrete in the actual box section manufactured. Cylindrical specimens of sizes other than 150 by 300 mm may be used provided all other requirements of Practice C31/C31M are met. If the concrete is of a consistency too stiff for compaction by rodding or internal vibration, the alternate method described in Section II of Test Methods C497M may be used. Cylinders shall be exposed to the same curing conditions as the manufactured box sections and shall remain with the sections until tested.

10.2.2 Prepare not less than three test cylinders from each concrete mix used within a group (one day's production) of box sections.

### 10.2.3 *Acceptability on the Basis of Cylinder Test Results:*

10.2.3.1 When the average compressive strength of all cylinders tested is equal to or greater than the design concrete strength, not more than 10 % of the cylinders tested have a compressive strength less than the design concrete strength,

and no cylinder tested has a compressive strength less than 80 % of the design concrete strength, the lot shall be accepted.

10.2.3.2 When the compressive strength of the cylinders tested does not conform to the acceptance criteria stated in 10.2.3.1, the acceptability of the lot shall be determined in accordance with the provisions of 10.3.

### 10.3 *Compression Testing of Cores:*

10.3.1 Cores shall be obtained and tested for compressive strength in accordance with the provisions of Test Methods C497M.

10.3.2 Three cores shall be cut from a section selected at random from each group of 15 box sections or fraction thereof of a single size from each continuous production run.

#### 10.3.3 *Acceptability by Core Tests:*

10.3.3.1 The compressive strength of the concrete in each group of box sections defined in 10.1 for each group of box sections is acceptable when concrete compressive strength, defined as the average of three cores taken at random from the subject group, is equal to or greater than 85 % of the required strength of the concrete with no one core less than 75 % of the required strength.

10.3.3.2 If the compressive strength of the three cores does not meet the requirements of 10.3.3.1, the sections from which the cores were taken shall be rejected. Two box sections from the remainder of the group shall be selected at random and one core shall be taken from each. If both cores have a strength equal to or greater than 85 % of the required strength of the concrete, the remainder of the group is acceptable. If the compressive strength of either of the two cores tested is less than 85 % of the required strength of the concrete, the remainder of the group of box section shall be rejected or, at the option of the manufacturer, each box section of the entire group shall be cored and accepted individually, and any of these box sections that have cores with less than 85 % of the required strength of the concrete shall be rejected.

10.4 *Plugging Core Holes*—The core holes shall be plugged and sealed by the manufacturer in a manner such that the box section will meet all of the test requirements of this specification. Box sections so sealed shall be considered as satisfactory for use.

10.5 *Test Equipment*—Every manufacturer furnishing box sections under this specification shall furnish all facilities and personnel necessary to carry out the tests required.

## 11. Permissible Variations

11.1 *Internal Dimensions*—The internal dimension shall not vary more than 1 % from the design dimensions. The haunch dimensions shall not vary more than 6 mm from the design dimensions.

11.2 *Slab and Wall Thickness*—The slab and wall thickness shall not be less than that shown in the design by more than 5 % or 5 mm, whichever is greater. A thickness more than that required in the design shall not be a cause for rejection.

11.3 *Length of Opposite Surfaces*—Variations in laying lengths of two opposite surfaces of the box section shall not be more than 10 mm/m of internal span, with a maximum of 16 mm for all sizes through 2100 mm internal span, and a

maximum of 19 mm for internal spans greater than 2100 mm, except where beveled ends for laying of curves are specified by the purchaser.

11.4 *Length of Section*—The underrun in length of a section shall not be more than 10 mm/m of length with a maximum of 13 mm in any box section.

11.5 *Position of Reinforcement*—The maximum variation in the position of the reinforcement for 125 mm or less slab and wall thickness shall be  $\pm 10$  mm, and for greater than 125 mm slab and wall thickness shall be  $\pm 13$  mm. In no case, however, shall the cover over the reinforcement be less than 16 mm, as measured to the internal surface or the external surface except the cover over the reinforcement for the external surface of the top slab for boxes with under 0.6 m of cover shall not be less than 40 mm. The preceding minimum cover limitation does not apply at the mating surfaces of the joint.

11.6 *Area of Reinforcement*—The areas of steel reinforcement shall be the design steel areas as shown in **Tables 1 and 2**. Steel areas greater than those required shall not be cause for rejection. The permissible variation in diameter of any wire in finished reinforcement shall conform to the tolerances prescribed for the wire before fabrication by either Specification **A82/A82M** or **A496/A496M** as applicable. If steel bars (Grade 60) are used in lieu of welded wire reinforcement, the steel areas presented in **Tables 1 and 2** shall be increased to account for the difference in steel yield strength, steel spacing, concrete cover, and crack control between the welded wire reinforcement and steel bars.

11.7 *Haunch Dimensions*—The vertical and horizontal dimensions shall be equal to the side wall thickness. If haunches with other dimensions are used, a special reinforcement design for the actual dimensions shall be completed. In lieu of performing a special design, for the specific case where the actual haunch dimensions are larger than the standard dimensions and vertical and horizontal haunch dimensions are equal, the  $A_{s1}$  steel area shall be increased 1 % for every 5 % increase in the haunch dimension over that specified in **Table 1** or **Table 2** and  $A_{s2}$  and  $A_{s3}$  shall be reduced by an equal percentage.

## 12. Repairs

12.1 Box sections shall be repaired, if necessary, because of imperfections in manufacture or handling damage and will be

acceptable if, in the opinion of the purchaser, the repaired box section conforms to the requirements of this specification.

## 13. Inspection

13.1 The quality of materials, the process of manufacture, and the finished box sections shall be subject to inspection by the purchaser.

## 14. Rejection

14.1 Box sections shall be subject to rejection on account of failure to conform to any of the specification requirements. Individual box sections shall be allowed to be rejected because of any of the following:

14.1.1 Fractures or cracks passing through the wall, except for a single end crack that does not exceed the depth of the joint,

14.1.2 Defects that indicate mixing and molding not in compliance with **9.1**, or honeycombed or open texture that would adversely affect the function of the box sections,

14.1.3 Abnormalities in the ends of the box sections to the walls and center line of the box section, within the limits of variations given in **Section 11**, except where beveled ends are specified, or

14.1.4 Damaged ends, where such damage would prevent making a satisfactory joint.

## 15. Marking

15.1 The following information shall be legibly marked on each box section by indentation, waterproof paint, or other approved means:

15.1.1 Box section span, rise, table number, maximum and minimum design earth cover, and specification designation,

15.1.2 Date of manufacture, and

15.1.3 Name or trademark of the manufacturer.

15.2 Each section shall be clearly marked by indentation on either the inner or outer surface during the process of manufacture so that the location of the top will be evident immediately after the forms are stripped. In addition, the word “top” shall be lettered with waterproof paint on the inside top surface.

**TABLE 1 Design Requirements for Precast Concrete Box Sections Under Earth Dead and HS20 Live Load Conditions**

NOTE 1—Design earth covers and reinforcement areas are based on the weight of a column of earth over the width of the box section as defined in Appendix X1.

NOTE 2—Concrete design strength 35 MPa.

NOTE 3—The design earth cover indicated is the height of fill above the top of the box section. Design requirements are based on the material and soil properties, loading data, and typical section as included in Appendix X1. For alternative or special designs, see 7.2.

NOTE 4—Design steel area in millimetres per linear metre of box section at those locations which are indicated on the typical section included in Fig. 1.

NOTE 5—The top section designation, for example, 900 by 600 by 100 mm indicates (interior horizontal span in millimetres) by (interior vertical rise in millimetres) by (wall and slab thickness in millimetres).

NOTE 6—In accordance with the acceptance criteria in 7.2, the manufacturer may interpolate the steel area requirements for fill heights between noted increments or may submit independent designs.

900 by 600 by 100 mm														
Span mm	Rise mm	Top mm	Bottom mm	Side mm	Haunch mm	Design Earth Cover m	Circumferential Reinforcement Areas, mm <sup>2</sup> /m							
							A <sub>s1</sub>	A <sub>s2</sub>	A <sub>s3</sub>	A <sub>s4</sub>	A <sub>s5</sub>	A <sub>s7</sub>	A <sub>s8</sub>	"M," mm
900	600	175	150	100	100	0-0.6	360	810	450	220	410	360	300	
900	600	100	100	100	100	0.6-0.9	280	450	450	220				790
900	600	100	100	100	100	0.9-1.5	220	220	220	220				790
900	600	100	100	100	100	3	220	220	220	220				790
900	600	100	100	100	100	4.6	220	300	300	220				790
900	600	100	100	100	100	6.1	240	390	410	220				790
900	600	100	100	100	100	7.6	300	490	490	220				790
900	600	100	100	100	100	9.1	360	580	580	220				790
900	600	100	100	100	100	10.7	430	660	660	220				790
900 by 900 by 100 mm														
Span mm	Rise mm	Top mm	Bottom mm	Side mm	Haunch mm	Design Earth Cover m	Circumferential Reinforcement Areas, mm <sup>2</sup> /m							
							A <sub>s1</sub>	A <sub>s2</sub>	A <sub>s3</sub>	A <sub>s4</sub>	A <sub>s5</sub>	A <sub>s7</sub>	A <sub>s8</sub>	"M," mm
900	900	175	150	100	100	0-0.6	360	850	490	220	430	360	300	
900	900	100	100	100	100	0.6-0.9	220	530	530	220				790
900	900	100	100	100	100	0.9-1.5	220	220	240	220				790
900	900	100	100	100	100	3	220	240	240	220				790
900	900	100	100	100	100	4.6	220	320	340	220				790
900	900	100	100	100	100	6.1	220	430	430	220				790
900	900	100	100	100	100	7.6	220	510	530	220				790
900	900	100	100	100	100	9.1	260	620	620	220				790
900	900	100	100	100	100	10.7	300	700	720	220				790
1200 by 600 by 125 mm														
Span mm	Rise mm	Top mm	Bottom mm	Side mm	Haunch mm	Design Earth Cover m	Circumferential Reinforcement Areas, mm <sup>2</sup> /m							
							A <sub>s1</sub>	A <sub>s2</sub>	A <sub>s3</sub>	A <sub>s4</sub>	A <sub>s5</sub>	A <sub>s7</sub>	A <sub>s8</sub>	"M," mm
1200	600	190	150	125	125	0-0.6	390	850	430	260	430	390	300	
1200	600	125	125	125	125	0.6-0.9	450	490	430	260				970
1200	600	125	125	125	125	0.9-1.5	260	260	260	260				970
1200	600	125	125	125	125	3	260	260	280	260				970
1200	600	125	125	125	125	4.6	300	360	390	260				970
1200	600	125	125	125	125	6.1	410	490	490	260				970
1200	600	125	125	125	125	7.6	490	600	600	260				970
1200	600	125	125	125	125	9.1	600	700	700	260				970
1200	600	125	125	125	125	10.7	700	810	830	260				970
1200 by 900 by 125 mm														
Span mm	Rise mm	Top mm	Bottom mm	Side mm	Haunch mm	Design Earth Cover m	Circumferential Reinforcement Areas, mm <sup>2</sup> /m							
							A <sub>s1</sub>	A <sub>s2</sub>	A <sub>s3</sub>	A <sub>s4</sub>	A <sub>s5</sub>	A <sub>s7</sub>	A <sub>s8</sub>	"M," mm
1200	900	190	150	125	125	0-0.6	390	960	490	260	470	390	300	
1200	900	125	125	125	125	0.6-0.9	340	600	530	260				970
1200	900	125	125	125	125	0.9-1.5	260	260	280	260				970
1200	900	125	125	125	125	3	260	300	320	260				970
1200	900	125	125	125	125	4.6	260	430	430	260				970
1200	900	125	125	125	125	6.1	300	550	550	260				970
1200	900	125	125	125	125	7.6	360	680	680	260				970
1200	900	125	125	125	125	9.1	450	810	810	260				970
1200	900	125	125	125	125	10.7	530	940	940	260				970
1200 by 1200 by 125 mm														
Span mm	Rise mm	Top mm	Bottom mm	Side mm	Haunch mm	Design Earth Cover m	Circumferential Reinforcement Areas, mm <sup>2</sup> /m							
							A <sub>s1</sub>	A <sub>s2</sub>	A <sub>s3</sub>	A <sub>s4</sub>	A <sub>s5</sub>	A <sub>s7</sub>	A <sub>s8</sub>	"M," mm
1200	1200	190	150	125	125	0-0.6	390	1000	530	260	490	390	300	
1200	1200	125	125	125	125	0.6-0.9	280	660	600	260				970
1200	1200	125	125	125	125	0.9-1.5	260	300	320	260				970
1200	1200	125	125	125	125	3	260	320	340	260				970
1200	1200	125	125	125	125	4.6	260	450	470	260				970
1200	1200	125	125	125	125	6.1	260	580	600	260				970
1200	1200	125	125	125	125	7.6	300	700	720	260				970

**NOTICE: This standard has either been superseded and replaced by a new version or withdrawn. Please contact ASTM International (www.astm.org) for the latest information.**

**ASTM C1433M - 10**

1200	1200	125	125	125	125	9.1	360	830	850	260	970
1200	1200	125	125	125	125	10.7	430	960	980	260	970

**1500 by 900 by 150 mm**

Span mm	Rise mm	Top mm	Bottom mm	Side mm	Haunch mm	Design Earth Cover m	Circumferential Reinforcement Areas, mm <sup>2</sup> /m							
							A <sub>s1</sub>	A <sub>s2</sub>	A <sub>s3</sub>	A <sub>s4</sub>	A <sub>s5</sub>	A <sub>s7</sub>	A <sub>s8</sub>	"M," mm
1500	900	200	175	150	150	0-0.6	410	940	470	300	450	410	360	
1500	900	150	150	150	150	0.6-0.9	450	620	470	300				1150
1500	900	150	150	150	150	0.9-1.5	300	300	300	300				920
1500	900	150	150	150	150	3	300	360	360	300				920
1500	900	150	150	150	150	4.6	360	510	510	300				890
1500	900	150	150	150	150	6.1	450	660	660	300				890
1500	900	150	150	150	150	7.6	550	810	810	300				890
1500	900	150	150	150	150	9.1	660	960	960	300				890
1500	900	150	150	150	150	10.7	790	1100	1130	300				890

**1500 by 1200 by 150 mm**

Span mm	Rise mm	Top mm	Bottom mm	Side mm	Haunch mm	Design Earth Cover m	Circumferential Reinforcement Areas, mm <sup>2</sup> /m							
							A <sub>s1</sub>	A <sub>s2</sub>	A <sub>s3</sub>	A <sub>s4</sub>	A <sub>s5</sub>	A <sub>s7</sub>	A <sub>s8</sub>	"M," mm
1500	1200	200	175	150	150	0-0.6	410	1020	510	300	470	410	360	
1500	1200	150	150	150	150	0.6-0.9	390	700	530	300				1150
1500	1200	150	150	150	150	0.9-1.5	300	340	340	300				1150
1500	1200	150	150	150	150	3	300	410	410	300				920
1500	1200	150	150	150	150	4.6	300	550	580	300				890
1500	1200	150	150	150	150	6.1	390	700	720	300				890
1500	1200	150	150	150	150	7.6	450	870	890	300				890
1500	1200	150	150	150	150	9.1	550	2120	2120	300				890
1500	1200	150	150	150	150	10.7	640	1190	1210	300				890

**1500 by 1500 by 150 mm**

Span mm	Rise mm	Top mm	Bottom mm	Side mm	Haunch mm	Design Earth Cover m	Circumferential Reinforcement Areas, mm <sup>2</sup> /m							
							A <sub>s1</sub>	A <sub>s2</sub>	A <sub>s3</sub>	A <sub>s4</sub>	A <sub>s5</sub>	A <sub>s7</sub>	A <sub>s8</sub>	"M," mm
1500	1500	200	175	150	150	0-0.6	410	1060	550	300	510	410	360	
1500	1500	150	150	150	150	0.6-0.9	340	750	600	300				1150
1500	1500	150	150	150	150	0.9-1.5	300	360	390	300				1150
1500	1500	150	150	150	150	3	300	430	450	300				1150
1500	1500	150	150	150	150	4.6	300	580	600	300				920
1500	1500	150	150	150	150	6.1	320	750	770	300				890
1500	1500	150	150	150	150	7.6	410	890	940	300				890
1500	1500	150	150	150	150	9.1	470	1060	1080	300				890
1500	1500	150	150	150	150	10.7	560	1230	1250	300				890

**1800 by 900 by 175 mm**

Span mm	Rise mm	Top mm	Bottom mm	Side mm	Haunch mm	Design Earth Cover m	Circumferential Reinforcement Areas, mm <sup>2</sup> /m							
							A <sub>s1</sub>	A <sub>s2</sub>	A <sub>s3</sub>	A <sub>s4</sub>	A <sub>s5</sub>	A <sub>s7</sub>	A <sub>s8</sub>	"M," mm
1800	900	200	175	175	175	0-0.6	490	960	430	360	410	410	360	
1800	900	175	175	175	175	0.6-0.9	510	640	430	360				1100
1800	900	175	175	175	175	0.9-1.5	360	360	360	360				1020
1800	900	175	175	175	175	3	360	430	430	360				1000
1800	900	175	175	175	175	4.6	490	580	600	360				970
1800	900	175	175	175	175	6.1	640	750	770	360				970
1800	900	175	175	175	175	7.6	770	940	940	360				970
1800	900	175	175	175	175	9.1	920	1100	1100	360				970
1800	900	175	175	175	175	10.7	1060	1270	1270	360				970

**1800 by 1200 by 175 mm**

Span mm	Rise mm	Top mm	Bottom mm	Side mm	Haunch mm	Design Earth Cover m	Circumferential Reinforcement Areas, mm <sup>2</sup> /m							
							A <sub>s1</sub>	A <sub>s2</sub>	A <sub>s3</sub>	A <sub>s4</sub>	A <sub>s5</sub>	A <sub>s7</sub>	A <sub>s8</sub>	"M," mm
1800	1200	200	175	175	175	0-0.6	410	1040	490	360	450	410	360	
1800	1200	175	175	175	175	0.6-0.9	450	700	490	360				1100
1800	1200	175	175	175	175	0.9-1.5	360	360	360	360				1020
1800	1200	175	175	175	175	3	360	470	490	360				1000
1800	1200	175	175	175	175	4.6	430	640	660	360				970
1800	1200	175	175	175	175	6.1	530	830	850	360				970
1800	1200	175	175	175	175	7.6	640	1020	1040	360				970
1800	1200	175	175	175	175	9.1	770	1210	1230	360				970
1800	1200	175	175	175	175	10.7	890	1400	1420	360				970

**1800 by 1500 by 175 mm**

Span mm	Rise mm	Top mm	Bottom mm	Side mm	Haunch mm	Design Earth Cover m	Circumferential Reinforcement Areas, mm <sup>2</sup> /m							
							A <sub>s1</sub>	A <sub>s2</sub>	A <sub>s3</sub>	A <sub>s4</sub>	A <sub>s5</sub>	A <sub>s7</sub>	A <sub>s8</sub>	"M," mm
1800	1500	200	175	175	175	0-0.6	410	1110	530	360	470	410	360	
1800	1500	175	175	175	175	0.6-0.9	410	770	550	360				1330
1800	1500	175	175	175	175	0.9-1.5	360	410	410	360				1100
1800	1500	175	175	175	175	3	360	490	510	360				1000
1800	1500	175	175	175	175	4.6	360	680	700	360				970
1800	1500	175	175	175	175	6.1	470	870	910	360				970
1800	1500	175	175	175	175	7.6	550	1080	1110	360				970
1800	1500	175	175	175	175	9.1	660	1270	1300	360				970
1800	1500	175	175	175	175	10.7	770	1460	1510	360				970

**1800 by 1800 by 175 mm**

Span mm	Rise mm	Top mm	Bottom mm	Side mm	Haunch mm	Design Earth Cover m	Circumferential Reinforcement Areas, mm <sup>2</sup> /m							
							A <sub>s1</sub>	A <sub>s2</sub>	A <sub>s3</sub>	A <sub>s4</sub>	A <sub>s5</sub>	A <sub>s7</sub>	A <sub>s8</sub>	"M," mm



**NOTICE: This standard has either been superseded and replaced by a new version or withdrawn. Please contact ASTM International (www.astm.org) for the latest information.**

**C1433M - 10**

1800	1800	200	175	175	175	0-0.6	410	1140	580	360	490	410	360	
1800	1800	175	175	175	175	0.6-0.9	360	810	600	360				1330
1800	1800	175	175	175	175	0.9-1.5	360	430	430	360				1330
1800	1800	175	175	175	175	3	360	510	550	360				1100
1800	1800	175	175	175	175	4.6	360	700	750	360				1000
1800	1800	175	175	175	175	6.1	410	910	940	360				970
1800	1800	175	175	175	175	7.6	490	1110	1150	360				970
1800	1800	175	175	175	175	9.1	580	1300	1340	360				970
1800	1800	175	175	175	175	10.7	680	1510	1550	360				970

**2100 by 1200 by 200 mm**

Span mm	Rise mm	Top mm	Bottom mm	Side mm	Haunch mm	Design Earth Cover m	Circumferential Reinforcement Areas, mm <sup>2</sup> /m								"M," mm
							A <sub>s1</sub>	A <sub>s2</sub>	A <sub>s3</sub>	A <sub>s4</sub>	A <sub>s5</sub>	A <sub>s7</sub>	A <sub>s8</sub>		
2100	1200	200	200	200	200	0-0.6	550	1040	450	410	410	410	410		
2100	1200	200	200	200	200	0.6-0.9	510	700	470	410				1200	
2100	1200	200	200	200	200	0.9-1.5	410	410	410	410				1100	
2100	1200	200	200	200	200	3	410	530	530	410				1100	
2100	1200	200	200	200	200	4.6	550	720	740	410				1050	
2100	1200	200	200	200	200	6.1	700	940	960	410				1050	
2100	1200	200	200	200	200	7.6	850	1150	1170	410				1050	
2100	1200	200	200	200	200	9.1	1000	1360	1380	410				1050	
2100	1200	200	200	200	200	10.7	1170	1590	1590	410				1050	

**2100 by 1500 by 200 mm**

Span mm	Rise mm	Top mm	Bottom mm	Side mm	Haunch mm	Design Earth Cover m	Circumferential Reinforcement Areas, mm <sup>2</sup> /m								"M," mm
							A <sub>s1</sub>	A <sub>s2</sub>	A <sub>s3</sub>	A <sub>s4</sub>	A <sub>s5</sub>	A <sub>s7</sub>	A <sub>s8</sub>		
2100	1500	200	200	200	200	0-0.6	490	1110	510	410	450	410	410		
2100	1500	200	200	200	200	0.6-0.9	470	770	530	410				1500	
2100	1500	200	200	200	200	0.9-1.5	410	430	430	410				1100	
2100	1500	200	200	200	200	3	410	580	600	410				1100	
2100	1500	200	200	200	200	4.6	490	790	810	410				1050	
2100	1500	200	200	200	200	6.1	620	1020	1040	410				1050	
2100	1500	200	200	200	200	7.6	740	1230	1250	410				1050	
2100	1500	200	200	200	200	9.1	870	1460	1490	410				1050	
2100	1500	200	200	200	200	10.7	1000	1700	1720	410				1050	

**2100 by 1800 by 200 mm**

Span mm	Rise mm	Top mm	Bottom mm	Side mm	Haunch mm	Design Earth Cover m	Circumferential Reinforcement Areas, mm <sup>2</sup> /m								"M," mm
							A <sub>s1</sub>	A <sub>s2</sub>	A <sub>s3</sub>	A <sub>s4</sub>	A <sub>s5</sub>	A <sub>s7</sub>	A <sub>s8</sub>		
2100	1800	200	200	200	200	0-0.6	450	1150	550	410	470	410	410		
2100	1800	200	200	200	200	0.6-0.9	430	830	580	410				1500	
2100	1800	200	200	200	200	0.9-1.5	410	470	470	410				1200	
2100	1800	200	200	200	200	3	410	600	640	410				1100	
2100	1800	200	200	200	200	4.6	430	830	850	410				1050	
2100	1800	200	200	200	200	6.1	550	1060	1080	410				1050	
2100	1800	200	200	200	200	7.6	660	1300	1320	410				1050	
2100	1800	200	200	200	200	9.1	770	1530	1550	410				1050	
2100	1800	200	200	200	200	10.7	890	1760	1800	410				1050	

**2100 by 2100 by 200 mm**

Span mm	Rise mm	Top mm	Bottom mm	Side mm	Haunch mm	Design Earth Cover m	Circumferential Reinforcement Areas, mm <sup>2</sup> /m								"M," mm
							A <sub>s1</sub>	A <sub>s2</sub>	A <sub>s3</sub>	A <sub>s4</sub>	A <sub>s5</sub>	A <sub>s7</sub>	A <sub>s8</sub>		
2100	2100	200	200	200	200	0-0.6	470	1190	580	410	470	410	410		
2100	2100	200	200	200	200	0.6-0.9	470	870	620	410				1500	
2100	2100	200	200	200	200	0.9-1.5	470	490	490	410				1500	
2100	2100	200	200	200	200	3	470	620	660	410				1200	
2100	2100	200	200	200	200	4.6	470	850	890	410				1100	
2100	2100	200	200	200	200	6.1	510	1080	1130	410				1050	
2100	2100	200	200	200	200	7.6	600	1320	1360	410				1050	
2100	2100	200	200	200	200	9.1	700	1550	1590	410				1050	
2100	2100	200	200	200	200	10.7	810	1780	1850	410				1050	

**2400 by 1200 by 200 mm**

Span mm	Rise mm	Top mm	Bottom mm	Side mm	Haunch mm	Design Earth Cover m	Circumferential Reinforcement Areas, mm <sup>2</sup> /m								"M," mm
							A <sub>s1</sub>	A <sub>s2</sub>	A <sub>s3</sub>	A <sub>s4</sub>	A <sub>s5</sub>	A <sub>s7</sub>	A <sub>s8</sub>		
2400	1200	200	200	200	200	0-0.6	660	1130	490	410	430	410	410		
2400	1200	200	200	200	200	0.6-0.9	640	830	530	410				1270	
2400	1200	200	200	200	200	0.9-1.5	430	470	470	410				1150	
2400	1200	200	200	200	200	3	580	660	680	410				1150	
2400	1200	200	200	200	200	4.6	790	910	940	410				1050	
2400	1200	200	200	200	200	6.1	1000	1210	1210	410				1050	
2400	1200	200	200	200	200	7.6	1230	1440	1460	410				1050	

**2400 by 1500 by 200 mm**

Span mm	Rise mm	Top mm	Bottom mm	Side mm	Haunch mm	Design Earth Cover m	Circumferential Reinforcement Areas, mm <sup>2</sup> /m								"M," mm
							A <sub>s1</sub>	A <sub>s2</sub>	A <sub>s3</sub>	A <sub>s4</sub>	A <sub>s5</sub>	A <sub>s7</sub>	A <sub>s8</sub>		
2400	1500	200	200	200	200	0-0.6	600	1210	530	410	450	410	410		
2400	1500	200	200	200	200	0.6-0.9	580	890	600	410				1270	
2400	1500	200	200	200	200	0.9-1.5	410	510	510	410				1270	
2400	1500	200	200	200	200	3	510	700	740	410				1150	
2400	1500	200	200	200	200	4.6	700	980	1020	410				1050	
2400	1500	200	200	200	200	6.1	890	1270	1300	410				1050	
2400	1500	200	200	200	200	7.6	1080	1550	1590	410				1050	

**NOTICE: This standard has either been superseded and replaced by a new version or withdrawn. Please contact ASTM International (www.astm.org) for the latest information.**

**ASTM C1433M - 10**

**2400 by 1800 by 200 mm**

Span mm	Rise mm	Top mm	Bottom mm	Side mm	Haunch mm	Design Earth Cover m	Circumferential Reinforcement Areas, mm <sup>2</sup> /m							
							A <sub>s1</sub>	A <sub>s2</sub>	A <sub>s3</sub>	A <sub>s4</sub>	A <sub>s5</sub>	A <sub>s7</sub>	A <sub>s8</sub>	"M," mm
2400	1800	200	200	200	200	0-0.6	550	1250	600	410	470	410	410	
2400	1800	200	200	200	200	0.6-0.9	530	960	640	410				1400
2400	1800	200	200	200	200	0.9-1.5	410	550	550	410				1270
2400	1800	200	200	200	200	3	470	740	790	410				1150
2400	1800	200	200	200	200	4.6	640	1040	1080	410				1050
2400	1800	200	200	200	200	6.1	810	1340	1380	410				1050
2400	1800	200	200	200	200	7.6	980	1630	1680	410				1050

**2400 by 2100 by 200 mm**

Span mm	Rise mm	Top mm	Bottom mm	Side mm	Haunch mm	Design Earth Cover m	Circumferential Reinforcement Areas, mm <sup>2</sup> /m							
							A <sub>s1</sub>	A <sub>s2</sub>	A <sub>s3</sub>	A <sub>s4</sub>	A <sub>s5</sub>	A <sub>s7</sub>	A <sub>s8</sub>	"M," mm
2400	2100	200	200	200	200	0-0.6	510	1320	640	410	490	410	410	
2400	2100	200	200	200	200	0.6-0.9	490	1000	700	410				1660
2400	2100	200	200	200	200	0.9-1.5	410	580	600	410				1400
2400	2100	200	200	200	200	3	430	790	830	410				1150
2400	2100	200	200	200	200	4.6	600	1080	1130	410				1050
2400	2100	200	200	200	200	6.1	740	1380	1440	410				1050
2400	2100	200	200	200	200	7.6	890	1700	1740	410				1050

**2400 by 2400 by 200 mm**

Span mm	Rise mm	Top mm	Bottom mm	Side mm	Haunch mm	Design Earth Cover m	Circumferential Reinforcement Areas, mm <sup>2</sup> /m							
							A <sub>s1</sub>	A <sub>s2</sub>	A <sub>s3</sub>	A <sub>s4</sub>	A <sub>s5</sub>	A <sub>s7</sub>	A <sub>s8</sub>	"M," mm
2400	2400	200	200	200	200	0-0.6	470	1360	680	410	510	410	410	
2400	2400	200	200	200	200	0.6-0.9	470	1040	740	410				1660
2400	2400	200	200	200	200	0.9-1.5	410	620	640	410				1660
2400	2400	200	200	200	200	3	410	810	870	410				1270
2400	2400	200	200	200	200	4.6	550	1100	1170	410				1150
2400	2400	200	200	200	200	6.1	700	1400	1490	410				1150
2400	2400	200	200	200	200	7.6	850	1720	1780	410				1050

**2700 by 1500 by 225 mm**

Span mm	Rise mm	Top mm	Bottom mm	Side mm	Haunch mm	Design Earth Cover m	Circumferential Reinforcement Areas, mm <sup>2</sup> /m							
							A <sub>s1</sub>	A <sub>s2</sub>	A <sub>s3</sub>	A <sub>s4</sub>	A <sub>s5</sub>	A <sub>s7</sub>	A <sub>s8</sub>	"M," mm
2700	1500	225	225	225	225	0-0.6	620	1130	530	470	470	470	470	
2700	1500	225	225	225	225	0.6-0.9	620	870	580	470				1380
2700	1500	225	225	225	225	0.9-1.5	470	530	550	470				1250
2700	1500	225	225	225	225	3	620	770	810	470				1250
2700	1500	225	225	225	225	4.6	850	1080	1100	470				1120
2700	1500	225	225	225	225	6.1	1080	1380	1420	470				1120
2700	1500	225	225	225	225	7.6	1320	1700	1720	470				1120

**2700 by 1800 by 225 mm**

Span mm	Rise mm	Top mm	Bottom mm	Side mm	Haunch mm	Design Earth Cover m	Circumferential Reinforcement Areas, mm <sup>2</sup> /m							
							A <sub>s1</sub>	A <sub>s2</sub>	A <sub>s3</sub>	A <sub>s4</sub>	A <sub>s5</sub>	A <sub>s7</sub>	A <sub>s8</sub>	"M," mm
2700	1800	225	225	225	225	0-0.6	580	1190	580	470	470	470	470	
2700	1800	225	225	225	225	0.6-0.9	550	940	640	470				1500
2700	1800	225	225	225	225	0.9-1.5	470	580	600	470				1380
2700	1800	225	225	225	225	3	580	830	670	470				1250
2700	1800	225	225	225	225	4.6	770	1450	1190	470				1120
2700	1800	225	225	225	225	6.1	980	1460	1510	470				1120
2700	1800	225	225	225	225	7.6	1190	1780	1820	470				1120

**2700 by 2100 by 225 mm**

Span mm	Rise mm	Top mm	Bottom mm	Side mm	Haunch mm	Design Earth Cover m	Circumferential Reinforcement Areas, mm <sup>2</sup> /m							
							A <sub>s1</sub>	A <sub>s2</sub>	A <sub>s3</sub>	A <sub>s4</sub>	A <sub>s5</sub>	A <sub>s7</sub>	A <sub>s8</sub>	"M," mm
2700	2100	225	225	225	225	0-0.6	530	1230	620	470	470	470	470	
2700	2100	225	225	225	225	0.6-0.9	530	980	680	470				1500
2700	2100	225	225	225	225	0.9-1.5	470	600	640	470				1380
2700	2100	225	225	225	225	3	530	670	910	470				1250
2700	2100	225	225	225	225	4.6	720	1190	1250	470				1120
2700	2100	225	225	225	225	6.1	890	1530	1570	470				1120
2700	2100	225	225	225	225	7.6	1080	1870	1910	470				1120

**2700 by 2400 by 225 mm**

Span mm	Rise mm	Top mm	Bottom mm	Side mm	Haunch mm	Design Earth Cover m	Circumferential Reinforcement Areas, mm <sup>2</sup> /m							
							A <sub>s1</sub>	A <sub>s2</sub>	A <sub>s3</sub>	A <sub>s4</sub>	A <sub>s5</sub>	A <sub>s7</sub>	A <sub>s8</sub>	"M," mm
2700	2400	225	225	225	225	0-0.6	490	1270	680	470	470	470	470	
2700	2400	225	225	225	225	0.6-0.9	490	1020	720	470				1830
2700	2400	225	225	225	225	0.9-1.5	470	640	680	470				1500
2700	2400	225	225	225	225	3	490	890	960	470				1380
2700	2400	225	225	225	225	4.6	660	1230	1300	470				1120
2700	2400	225	225	225	225	6.1	830	1570	1630	470				1120
2700	2400	225	225	225	225	7.6	1020	1910	1970	470				1120

**2700 by 2700 by 225 mm**

Span mm	Rise mm	Top mm	Bottom mm	Side mm	Haunch mm	Design Earth Cover m	Circumferential Reinforcement Areas, mm <sup>2</sup> /m							
							A <sub>s1</sub>	A <sub>s2</sub>	A <sub>s3</sub>	A <sub>s4</sub>	A <sub>s5</sub>	A <sub>s7</sub>	A <sub>s8</sub>	"M," mm
2700	2700	225	225	225	225	0-0.6	470	1320	720	470	470	470	470	
2700	2700	225	225	225	225	0.6-0.9	470	1060	790	470				1830
2700	2700	225	225	225	225	0.9-1.5	470	660	720	470				1830
2700	2700	225	225	225	225	3	470	910	1000	470				1500