



SLOVENSKI STANDARD
SIST EN 60320-3:2015/oprA2:2022

01-marec-2022

Aparatne spojke za hišno rabo in podobne splošne namene - 3. del: Standardni merilni lističi - Dopolnilo A2

Amendment 2 - Appliance couplers for household and similar general purposes - Part 3: Standard sheets and gauges

Gerätesteckvorrichtungen für den Hausgebrauch und ähnliche allgemeine Zwecke - Teil 3: Normblätter und Lehren

Connecteurs pour usages domestiques et usages généraux analogues - Partie 3: Feuilles de norme et calibres

Ta slovenski standard je istoveten z: EN 60320-3:2014/prA2:2022

[SIST EN 60320-3:2015/oprA2:2022
https://standards.iteh.ai/catalog/standards/sist/92129ef0-4eab-4443-b60c-6f3a4576c5bd/sist-en-60320-3-2015-opra2-2022](https://standards.iteh.ai/catalog/standards/sist/92129ef0-4eab-4443-b60c-6f3a4576c5bd/sist-en-60320-3-2015-opra2-2022)

ICS:

29.120.30 Vtiči, vtičnice, spojke Plugs, socket-outlets, couplers

SIST EN 60320-3:2015/oprA2:2022 en,fr,de

**iTeh STANDARD
PREVIEW
(standards.iteh.ai)**

[SIST EN 60320-3:2015/oprA2:2022](https://standards.iteh.ai/catalog/standards/sist/92a29efb-4eab-4443-b60c-6f3a4576c5bd/sist-en-60320-3-2015-opra2-2022)

<https://standards.iteh.ai/catalog/standards/sist/92a29efb-4eab-4443-b60c-6f3a4576c5bd/sist-en-60320-3-2015-opra2-2022>



23G/470/CDV

COMMITTEE DRAFT FOR VOTE (CDV)

PROJECT NUMBER:
IEC 60320-3/AMD2 ED1

DATE OF CIRCULATION:
2022-01-07

CLOSING DATE FOR VOTING:
2022-04-01

SUPERSEDES DOCUMENTS:
23G/465/CD, 23G/468A/CC

IEC SC 23G : APPLIANCE COUPLERS	
SECRETARIAT: Sweden	SECRETARY: Mr Ingvar Eriksson
OF INTEREST TO THE FOLLOWING COMMITTEES: SC 34D, TC 61, TC 108	PROPOSED HORIZONTAL STANDARD: <input type="checkbox"/> Other TC/SCs are requested to indicate their interest, if any, in this CDV to the secretary.
FUNCTIONS CONCERNED: <input type="checkbox"/> EMC <input type="checkbox"/> ENVIRONMENT <input type="checkbox"/> QUALITY ASSURANCE <input checked="" type="checkbox"/> SAFETY	
<input checked="" type="checkbox"/> SUBMITTED FOR CENELEC PARALLEL VOTING Attention IEC-CENELEC parallel voting The attention of IEC National Committees, members of CENELEC, is drawn to the fact that this Committee Draft for Vote (CDV) is submitted for parallel voting. The CENELEC members are invited to vote through the CENELEC online voting system.	<input type="checkbox"/> NOT SUBMITTED FOR CENELEC PARALLEL VOTING

This document is still under study and subject to change. It should not be used for reference purposes.

Recipients of this document are invited to submit, with their comments, notification of any relevant patent rights of which they are aware and to provide supporting documentation.

TITLE:

Amendment 2 - Appliance couplers for household and similar general purposes - Part 3: Standard sheets and gauges

PROPOSED STABILITY DATE: 2024

NOTE FROM TC/SC OFFICERS:

Copyright © 2021 International Electrotechnical Commission, IEC. All rights reserved. It is permitted to download this electronic file, to make a copy and to print out the content for the sole purpose of preparing National Committee positions. You may not copy or "mirror" the file or printed version of the document, or any part of it, for any other purpose without permission in writing from IEC.

1 **Introduction (not part of the proposal)**

2

3 This update reintroduces the table of compatibility

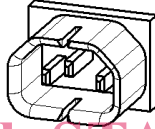
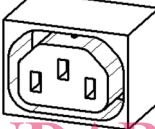
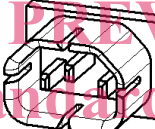
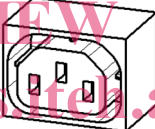
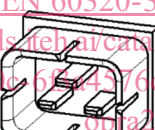

4 The drawings in Table 2 are added.

5 Standard sheets updated.

6

7

8 **Proposal**9 **4 General requirements**10 *Add, in Table 2, the following rows:*

10	I	120	 M	 N	Yes	60245 IEC 53 or 60245 IEC 89	0,75°
10	I	155	 O	 P	Yes	60245 IEC 53 or 60245 IEC 89	0,75°
16	I	155	 Q	 R	Yes	60245 IEC 53 or 60245 IEC 89	1°

11

12

13 *Add the following new standard sheets after the existing standard sheet L:*

14

15

16 **Standard sheet M**17 **Plug connector for 10 A / 250 V for use in class I equipment in hot conditions**

18

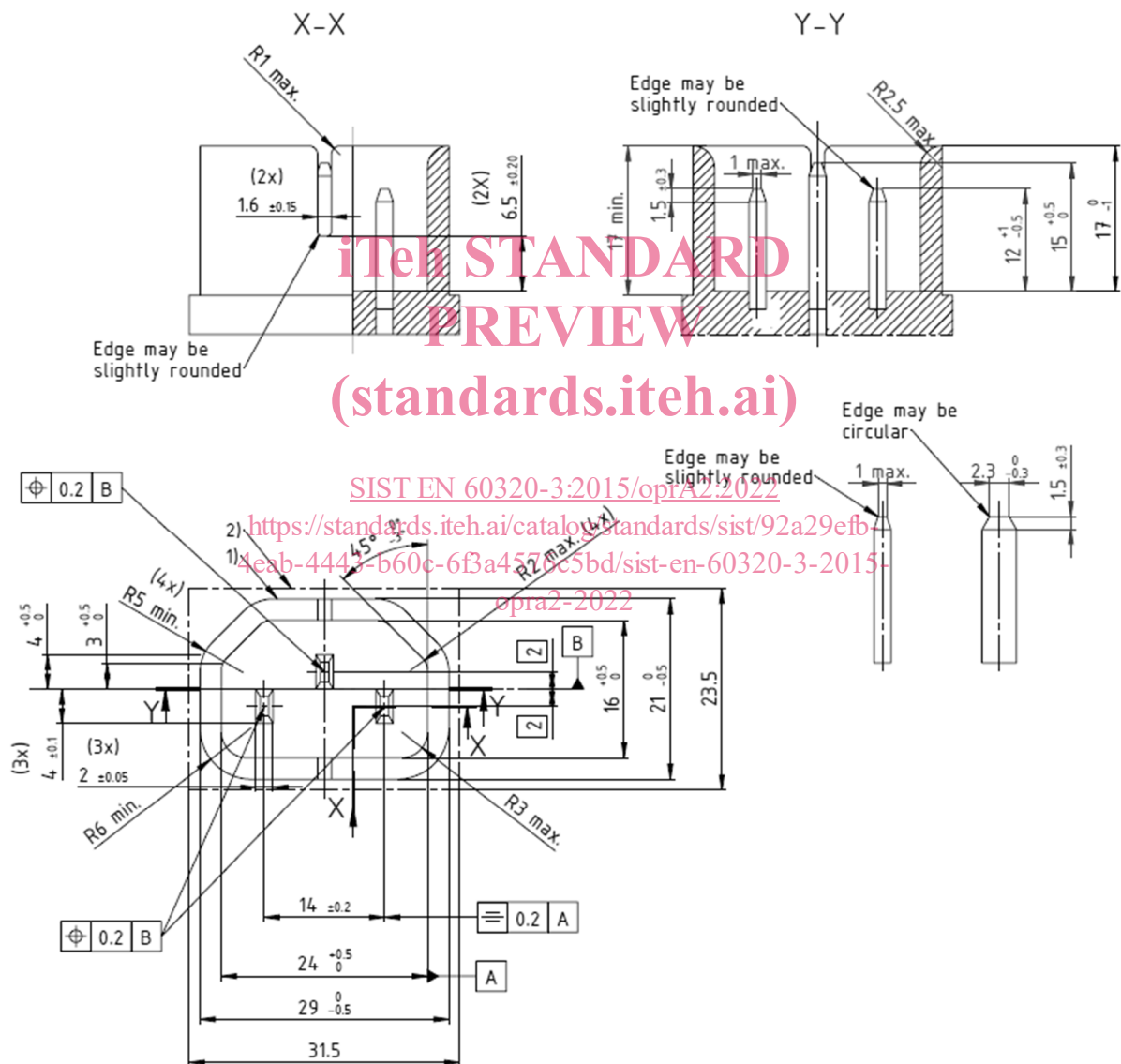
19 The outline 1) of the front part shall not be exceeded or decreased, at any point, within a
20 distance of 17 mm from the engagement face.

21 The outline 2) of the rear part shall not be exceeded in any section perpendicular to the axis of
22 the plug connector, except that, for plug connectors with lateral cord entry and for those
23 combined with other accessories, this limitation does not apply in the direction of the axis of the
24 cord or of the actuating member.

25 The sketches are not intended to govern design except as regards the dimensions shown.

26

Dimensions in millimetres



27

28

29 NOTE The sketches are not intended to govern design, except as regards the dimensions shown. Dimensions
30 without tolerances are only recommendations.

31

32

33 **Standard sheet N**34 **Appliance outlet 10 A / 250 V for class I equipment in hot conditions**

35

36 The sketches are not intended to govern design except as regards the dimensions shown.

37

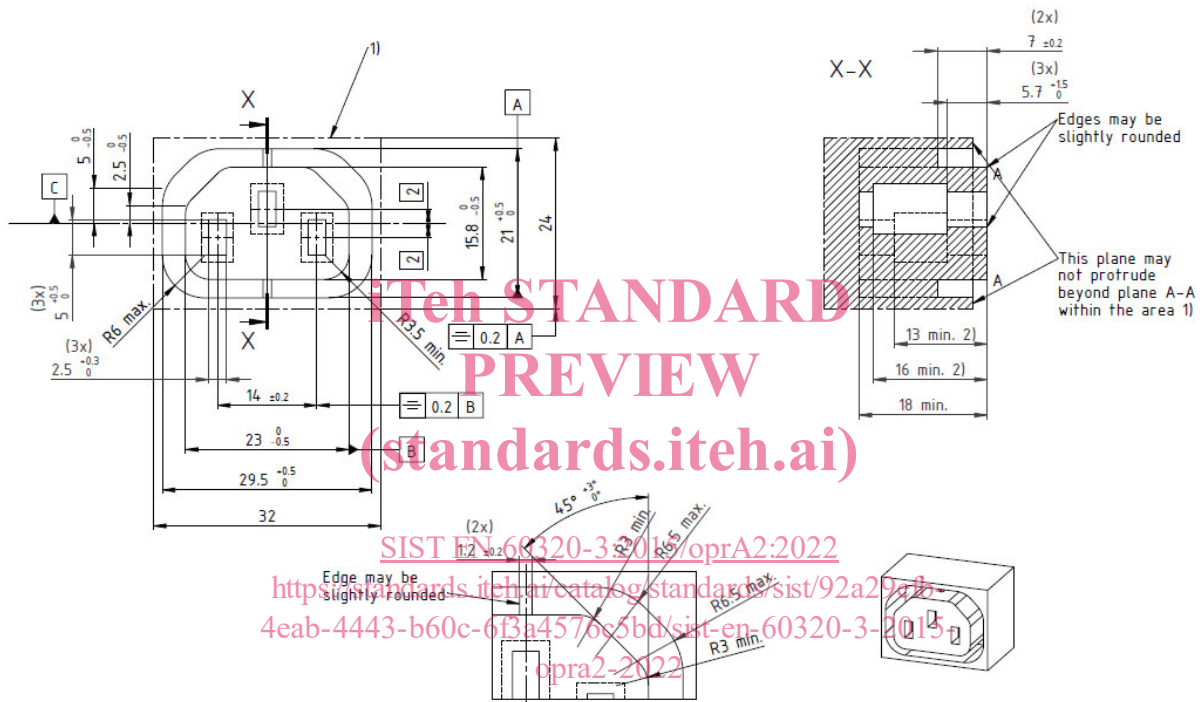
38

39

40

41

Dimensions in millimetres



42

43 NOTE The sketches are not intended to govern design, except as regards the dimensions shown. Dimensions

44 without tolerances are only recommendations.

45

46

