



Designation: F2155 – 01 (Reapproved 2009)

Standard Specification for Performance of Hasps and Other Attachment Devices for Padlocks or Seals¹

This standard is issued under the fixed designation F2155; the number immediately following the designation indicates the year of original adoption or, in the case of revision, the year of last revision. A number in parentheses indicates the year of last reapproval. A superscript epsilon (ϵ) indicates an editorial change since the last revision or reapproval.

This standard has been approved for use by agencies of the U.S. Department of Defense.

1. Scope

1.1 This specification describes and grades various levels of performance to provide users of the standard with criteria upon which to select suitable hasps and other attachment devices. No effort has been made to include criteria for specially made hasps used by the Department of Defense or other highly sensitive applications.

1.2 The tests described are laboratory tests, and although they simulate field conditions as to attacks, they do not duplicate these conditions. Tests described are repeatable in the laboratory.

1.3 Some users of this standard may wish to use hasps that have special attributes not related to security.

1.4 The values stated in SI units are to be regarded as the standard. The inch-pound units given in parentheses are provided for information only.

1.5 *This standard does not purport to address all of the safety concerns, if any, associated with its use. It is the responsibility of the user of this standard to establish appropriate safety and health practices and determine the applicability of regulatory requirements prior to use.*

2. Referenced Documents

2.1 *ASTM Standards:*²

F883 [Performance Specification for Padlocks](#)

3. Terminology

3.1 *Definitions of Terms Specific to This Standard:*

3.1.1 *attachment device, n*—an item consisting of any number of members that act in combination with a padlock or seal to provide a locking security system.

¹ This specification is under the jurisdiction of ASTM Committee F12 on Security Systems and Equipment and is the direct responsibility of Subcommittee F12.50 on Locking Devices.

Current edition approved Nov. 1, 2009. Published March 2010. Originally approved in 2001. Last previous edition approved in 2001 as F2155 – 01. DOI: 10.1520/F2155-01R09.

² For referenced ASTM standards, visit the ASTM website, www.astm.org, or contact ASTM Customer Service at service@astm.org. For *Annual Book of ASTM Standards* volume information, refer to the standard's Document Summary page on the ASTM website.

3.1.2 *fixed hasp, n*—a combination of elements that, when aligned, provide holes through which a padlock shackle or seal may pass to secure the elements.

3.1.3 *hasp, n*—an attachment device having a hinged or fixed strap that engages a hasp staple to provide for the attachment of a padlock or seal.

3.1.4 *hasp staple, n*—an eye- or U-shaped element that is engaged by the slotted strap of a hasp and provides for the attachment of a padlock or seal.

3.1.5 *hasp staple pad, n*—a component of a hasp staple that provides a fastening medium for attachment of the hasp staple to the mounting surface.

3.1.6 *hasp strap, n*—a component of a hasp that engages a hasp staple.

3.1.7 *hasp strap pad, n*—a component of a hasp strap that provides a fastening medium for attachment of the hasp to the mounting surface.

3.1.8 *hinged hasp, n*—a hasp that includes a hasp strap, a hasp strap pad, a hasp staple, and a hasp staple pad in combination such that the hasp strap, when closed, engages the hasp staple, providing for the attachment of a padlock or seal to cause the assembly to be latched and locked or sealed into a secure system.

3.1.9 *latch, n*—an item consisting of any number of members that act in combination to fasten separate elements into a connected whole, and provides for the unfastening of this whole.

3.1.10 *latching attachment device, n*—an attachment device that includes a latching feature that permits the assembly to remain engaged without the use of a padlock or seal.

3.1.11 *latching hasp, n*—a hasp that includes a latching feature that permits the strap to remain engaged with the hasp staple without the use of a padlock or seal.

3.1.12 *rotating hasp staple, n*—a hasp staple that is free to turn in its pad, generally to provide a latching function by engaging the hasp strap, or to resist a torsional attack.

4. General Requirements

4.1 *Tolerances:*

4.1.1 *Fixture Tolerances*—All tolerances shall follow standard machining practices unless otherwise specified.

4.1.2 *Test Setup Tolerances:*

4.1.2.1 *Force*— $\pm 1\%$ of working range.

4.1.2.2 *Height*— ± 3 mm (0.12 in.).

4.1.2.3 *Torque*—4 % of reading.

4.1.2.4 *Weight*— ± 10 g (0.02 lb).

4.2 *Temperature*—All tests shall be conducted between 16°C and 27°C (61°F and 81°F).

4.3 *Test Reports*—All test reports shall be dated.

5. Test Specimens

5.1 Select specimens at random from the manufacturer's finished stock of each size and model being certified by the manufacturer.

5.2 Select four hasps for the forcing tests.

6. Preparation of Apparatus

6.1 *Tensile Loading Device:*

6.1.1 Provide a tensile loading device appropriate for the test to be performed.

6.2 *Shock Impactor:*

6.2.1 Provide a fixture, as illustrated in Figs. 1-6, that allows the weights described in 6.2.2 to be properly guided to strike the anvil rod that will be placed in direct contact with the top surface of a hasp staple using the mounting block described in 6.2.3.

6.2.2 Provide a set of weights, as shown in Figs. 1-6, with a central hole in each that allows the weight selected to free-fall and strike the top surface of the anvil rod.

6.2.3 Provide a mounting block, as shown in Figs. 1-6, that will support the specimen when being subjected to the required shock load.

6.3 *Torque Test:*

6.3.1 Provide a fixture, as illustrated in Figs. 7-13, that allows the hasp to be mounted central to the torque arm; apply torque to the hasp.

7. Forcing Tests

7.1 Refer to Table 1.

7.2 *Staple Axial Load Test*—(Does not apply if test cannot be performed.) (see 6.1) Mount base pad of hasp staple to test fixture using the fasteners as described in Fig. 14. Insert the pulling device through hasp staple hole and connect to the tensile loading device. Apply the required force slowly along the vertical centerline of the hasp staple.

7.2.1 *Test Value*—The test value is achieved when a failure occurs that is sufficient to allow circumvention of the hasp.

7.3 *Hasp Staple Impact Test*—Using the impactor (see 6.2), drop the weight the required number of times onto the staple of

a complete hasp, which has been mounted to the test sample plate. Test the hasp in both the vertical and horizontal mounting configurations.

7.3.1 Test value occurs if the hasp staple breaks or becomes separated from the hasp.

7.4 *Hasp Staple Cutting Test*—(Does not apply if test cannot be performed.) Two shearing blades (made of a steel hardened to a minimum hardness of Rc 50) are used in conjunction with the blade positioning holder. The fixture with a staple is placed in a tensile loading device (see 6.1) having the required compression load capability and is compressed with the required force. See Fig. 15 for blade and fixture details and 7.3.1 for proper positioning of test sample.

7.4.1 Hasp staples that are round must be cut perpendicular to the axis of the diameter of the hasp staple. When other shapes are tested, cutting must occur through the point that represents the smallest cross section of the hasp staple that would be exposed in actual use.

7.4.2 Test value occurs at the force reading reached when the staple is cut through.

7.5 *Hasp Staple Torque Test*—(Does not apply if test cannot be performed.) Mount the hasp to the fixture (see 6.3) so that the hasp staple is centered to the torque arm. Verify that the hasp strap is engaged with the hasp staple, if applicable. Mount the hasp strap to the fixture, if applicable. Insert dowel pin into the hasp staple hole (dowel pin to fill 75 % minimum of the staple hole). The hasp staple should be held by the torque arm so that the hasp staple will not rotate when torque rotation is applied. Shim if necessary.

7.5.1 The test value is achieved when a failure occurs that is sufficient to allow circumvention of the hasp.

8. Acceptance Criteria

8.1 Hasps must meet all of the requirements of a grade to be so rated.

8.2 A hasp complying with one of the grades may exceed the requirements for that grade in another portion of this standard.

8.3 Breaking of the mounting fasteners does not constitute acceptance or failure. Fasteners used to mount the hasp or hasp staple to the test fixture shall be the largest diameter that may be inserted in the holes provided. Alteration of the product, as supplied from the manufacturer, is not permitted. (It is suggested that the test fixture be designed to accommodate through bolt and nut fastening.)

9. Precision and Bias

9.1 Where dimensions and weights are described for various test apparatus and no maximums or minimums are given, a combined bias of $\pm 2\%$ is permitted.

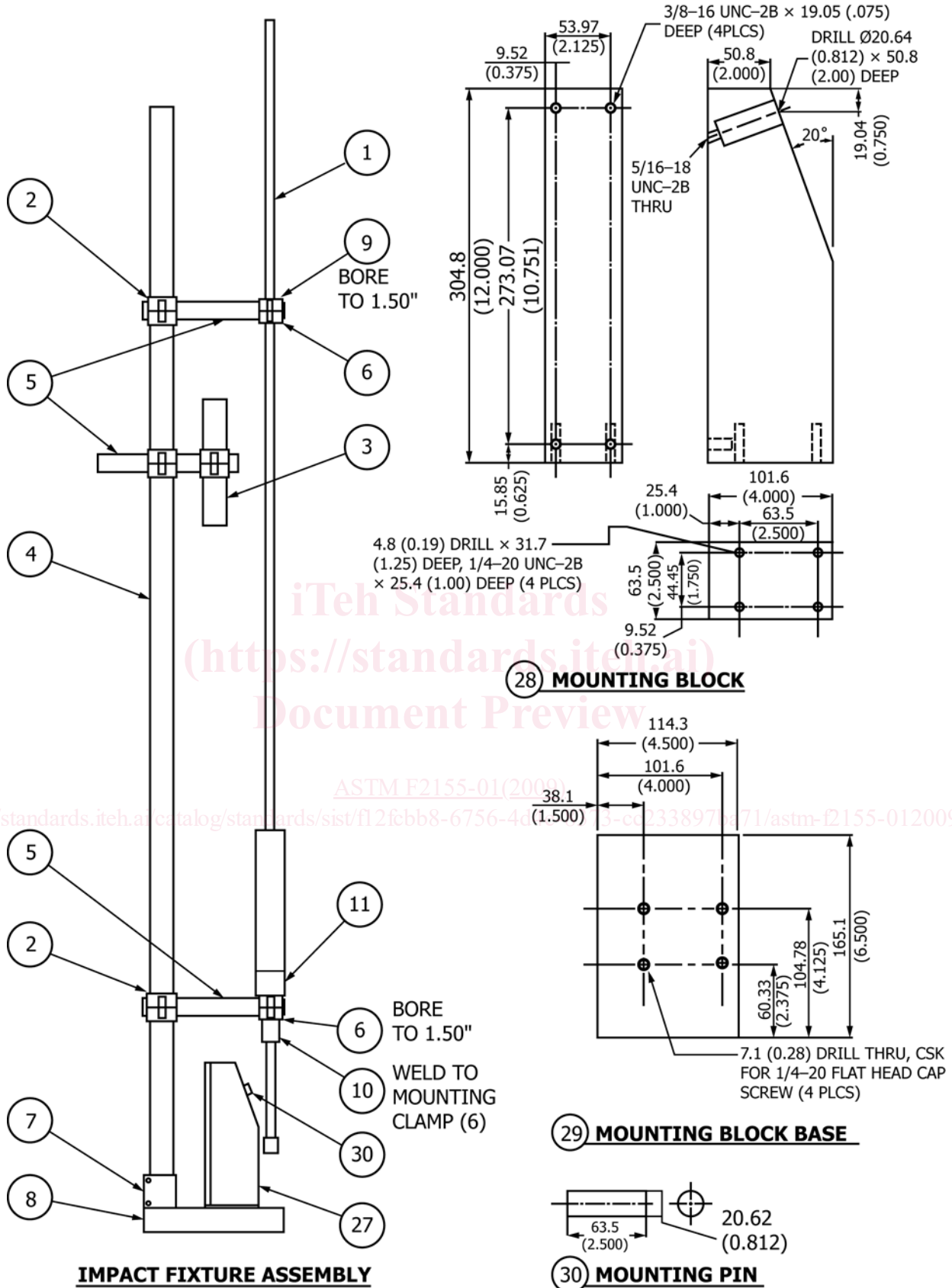
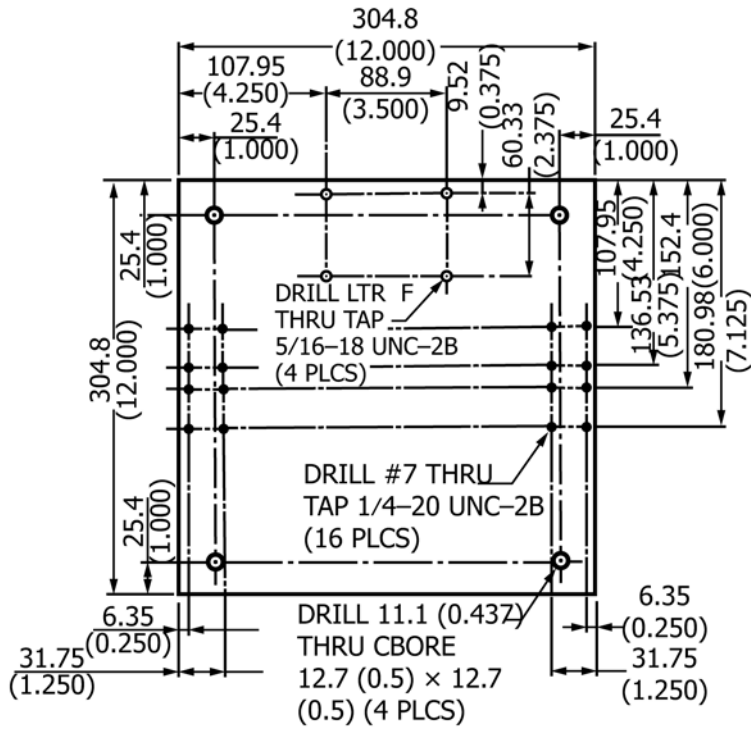
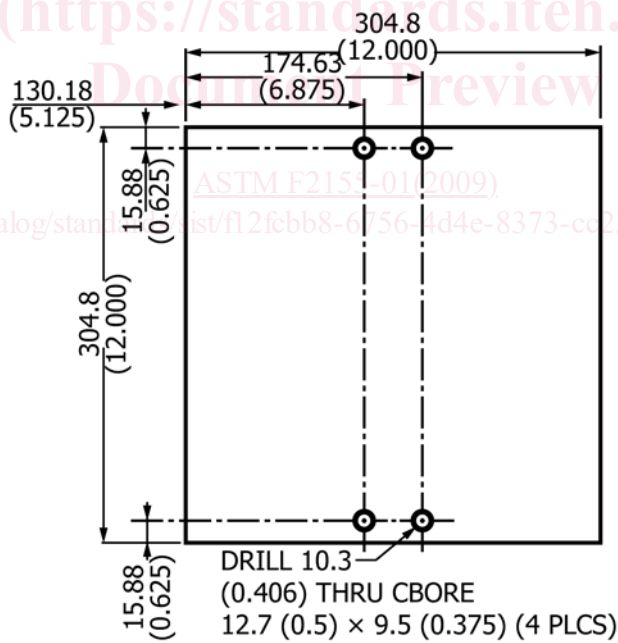


FIG. 1 Sheet 1

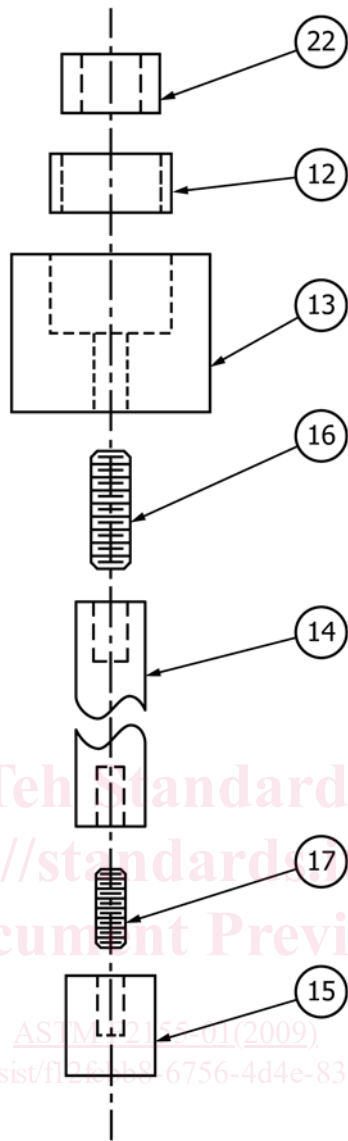


8 MOUNTING BASE PLATE



31 MOUNTING BLOCK FIXTURE PLATE

FIG. 2 Sheet 2



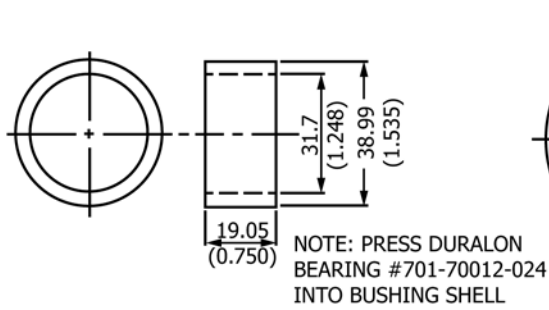
iTeh Standards
(<https://standards.iteh.ai>)
Document Preview

ASTM F2155-01(2009)

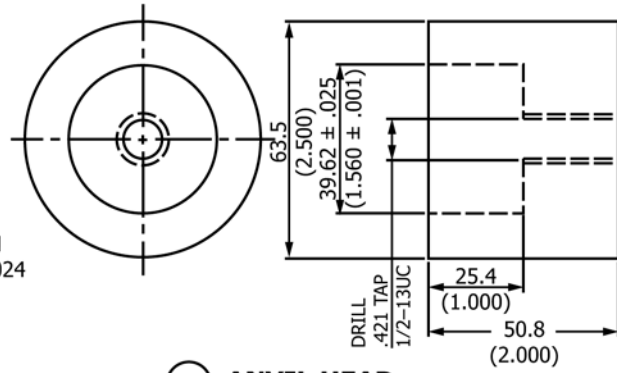
<https://standards.iteh.ai/catalog/standards/sist/f2155-01-2009/6756-4d4e-8373-cc233897ba71/astm-f2155-012009>

11 ANVIL ASSEMBLY – EXPLODED VIEW

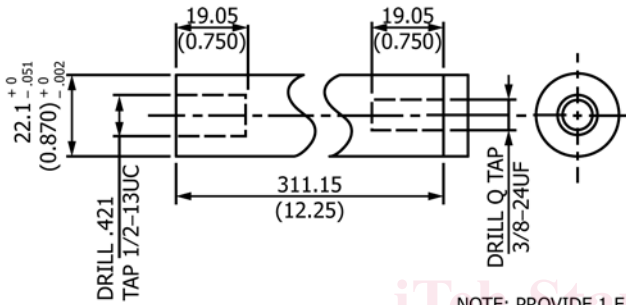
FIG. 3 Sheet 3



12 LOWER GUIDE SHAFT BUSHING SHELL

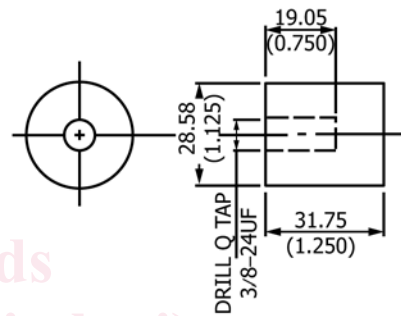


13 ANVIL HEAD



14 ANVIL SHAFT

NOTE: PROVIDE 1 EA. 1/2-13UC x 1.50 GRADE 8 STUD AND 1 EA. 3/8-24UF x 1.00 STUD

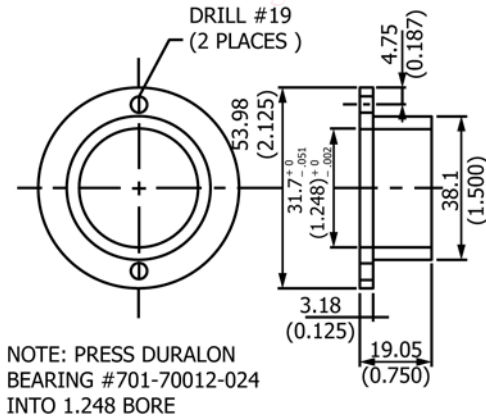


15 EXPANDABLE ANVIL FACE

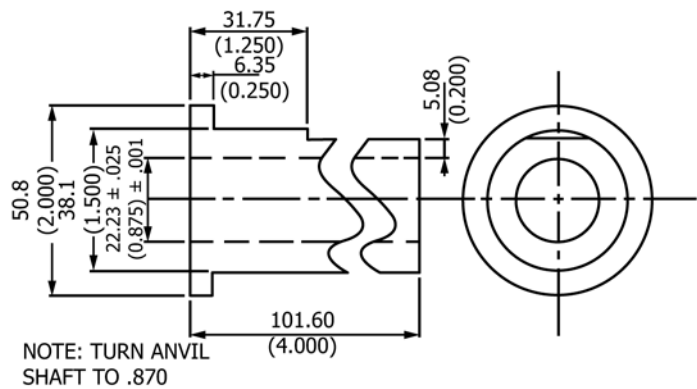
11 ANVIL ASSEMBLY PARTS

ASTM F2155-01(2009)

<https://standards.iteh.ai/catalog/standards/sist/f12fbb8-6756-4d4e-8373-cc233897ba71/astm-f2155-012009>



9 UPPER GUIDE SHAFT BUSHING



10 ANVIL SHAFT GUIDE

FIG. 4 Sheet 4