



SLOVENSKI STANDARD
SIST EN 60095-1:1997/A13:2001
01-februar-2001

Amendment to subclauses 5.6.3.5 and 5.6.4 of EN

Lead-acid starter batteries -- Part 1: General requirements and methods of test

Blei-Starterbatterien -- Teil 1: Allgemeine Anforderungen und Prüfungen

Batteries d'accumulateurs de démarrage au plomb -- Partie 1: Prescriptions générales et méthodes d'essai

(standards.iteh.ai)

Ta slovenski standard je istoveten z: EN 60095-1:1993/A13:1997

<https://standards.iteh.ai/catalog/standards/sist/c64c9e89-a640-4bf2-99eb-0e769dbbb5b4/sist-en-60095-1-1997-a13-2001>

ICS:

29.220.20	Kislinski sekundarni člani in baterije	Acid secondary cells and batteries
-----------	--	------------------------------------

SIST EN 60095-1:1997/A13:2001 **en**

iTeh STANDARD PREVIEW
(standards.iteh.ai)

[SIST EN 60095-1:1997/A13:2001](https://standards.iteh.ai/catalog/standards/sist/c64c9e89-a640-4bf2-99eb-0e769dbbb5b4/sist-en-60095-1-1997-a13-2001)

<https://standards.iteh.ai/catalog/standards/sist/c64c9e89-a640-4bf2-99eb-0e769dbbb5b4/sist-en-60095-1-1997-a13-2001>

EUROPEAN STANDARD
NORME EUROPÉENNE
EUROPÄISCHE NORM

EN 60095-1/A13

December 1997

UDC 621.355.2:621.43.044.7:620.1
ICS 01.080.20; 29.220.20

Descriptors: Lead-acid battery, starter battery, identification, labelling, electrical characteristics, mechanical characteristics, test conditions, test methods, tests

English version

Lead-acid starter batteries
Part 1: General requirements and methods of test

Batteries d'accumulateurs de démarrage
au plomb
Partie 1: Prescriptions générales et
méthodes d'essai

Blei-Starterbatterien
Teil 1: Allgemeine Anforderungen und
Prüfungen

iTeh STANDARD PREVIEW
(standards.iteh.ai)

[SIST EN 60095-1:1997/A13:2001](https://standards.iteh.ai/catalog/standards/sist/c64c9e89-a640-4bf2-99eb-0e769dbbb5b4/sist-en-60095-1-1997-a13-2001)

<https://standards.iteh.ai/catalog/standards/sist/c64c9e89-a640-4bf2-99eb-0e769dbbb5b4/sist-en-60095-1-1997-a13-2001>

This amendment A13 modifies the European Standard EN 60095-1:1993; it was approved by CENELEC on 1997-10-01. CENELEC members are bound to comply with the CEN/CENELEC Internal Regulations which stipulate the conditions for giving this amendment the status of a national standard without any alteration.

Up-to-date lists and bibliographical references concerning such national standards may be obtained on application to the Central Secretariat or to any CENELEC member.

This amendment exists in three official versions (English, French, German). A version in any other language made by translation under the responsibility of a CENELEC member into its own language and notified to the Central Secretariat has the same status as the official versions.

CENELEC members are the national electrotechnical committees of Austria, Belgium, Czech Republic, Denmark, Finland, France, Germany, Greece, Iceland, Ireland, Italy, Luxembourg, Netherlands, Norway, Portugal, Spain, Sweden, Switzerland and United Kingdom.

CENELEC

European Committee for Electrotechnical Standardization
Comité Européen de Normalisation Electrotechnique
Europäisches Komitee für Elektrotechnische Normung

Central Secretariat: rue de Stassart 35, B - 1050 Brussels

Foreword

The text of prAA, as prepared by Technical Committee CENELEC TC 21X, Secondary cells and batteries, was submitted to the formal vote in March 1997.

The text of prAB, as prepared by the same Technical Committee, was also submitted to the formal vote in March 1997.

The text of the two draft amendments was approved by CENELEC as amendment A13 to EN 60095-1:1993 on 1997-10-01.

The following dates were fixed:

- latest date by which the amendment has to be implemented at national level by publication of an identical national standard or by endorsement (dop) 1998-09-01
- latest date by which the national standards conflicting with the amendment have to be withdrawn (dow) 1998-09-01

2.1 Add a new item:

- f) indications required by EC directives: see annex ZC.

5.6.3.5 **Replace** in the first sentence "the specified number of ... requirement 2) the batteries ..." by "5 endurance test units and without recharge the batteries..."

5.6.4 **Replace** in the last sentence "under consideration" by "8".

Add a new annex:

Annex ZC (normative)

Indications regarding EC directives

Introduction

The marking shall also include indications as to the following points:

- separate collection (required by EC directives);
- the heavy metal content (required by EC directives);
- recycling (required by EC directives).

ZC.1 Marking according to the EC directives

This annex gives the indications needed to design a label showing:

- a roll-out container crossed through as a separate collection symbol;
- the lead chemical symbol as the heavy metal content;
- the symbol ISO 7000-1135 as the recycling symbol.

[SIST EN 60095-1:1997/A13:2001](https://standards.iteh.ai/catalog/standards/sist/c64c9e89-a640-4bf2-99eb-8-769dbbb5b4/sist-en-60095-1-1997-a13-2001)

<https://standards.iteh.ai/catalog/standards/sist/c64c9e89-a640-4bf2-99eb-8-769dbbb5b4/sist-en-60095-1-1997-a13-2001>

ZC.2 Conditions of marking

The symbols shall be printed visibly, legibly and indelibly. The colours of the symbols and the contrast to the background shall be selected so that they can be clearly recognised.

ZC.2.1 Roll-out containers crossed through

This symbol is required by EC directive 93/86 (04.10.93) and EC directive 91/157 (10.08.91).

It must be associated with the chemical symbol of lead: Pb, which has to be indicated below the container picture.

It should preferably be combined with the recycling symbol. For shape, size and dimensions, refer to the figure.

The container symbol shall cover at least 3% of the area of the largest side of the battery up to a maximum size of 5 cm x 5 cm.

ZC.2.2 Lead chemical symbol: Pb

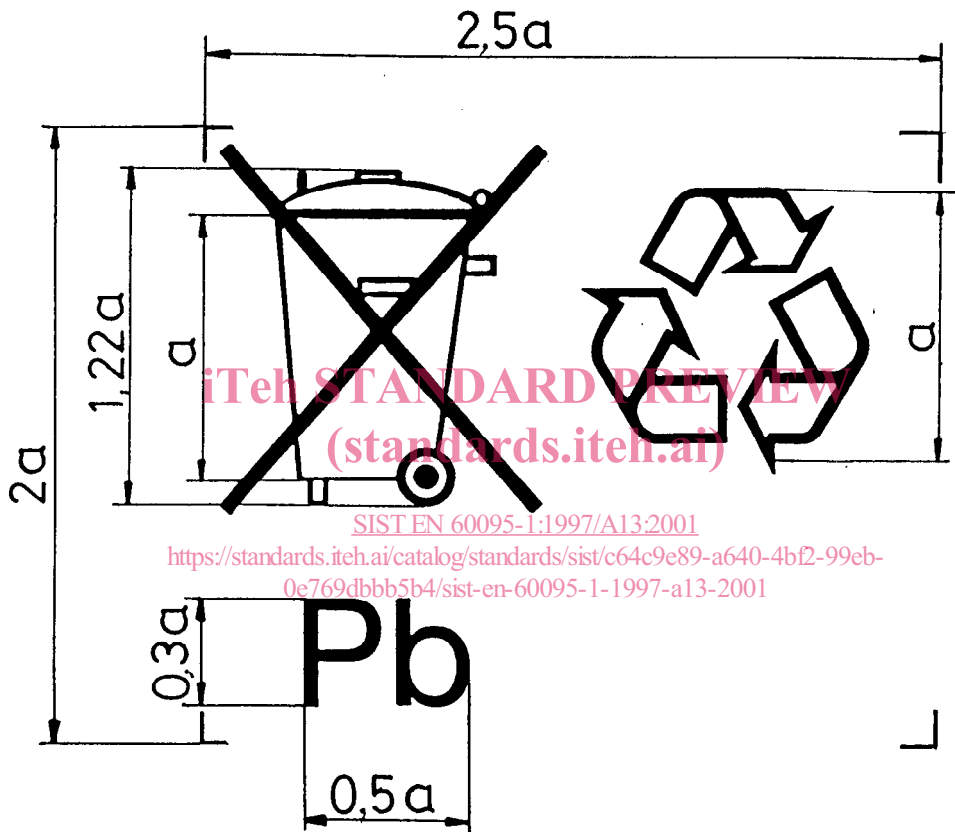
Pb must be found below the container.

The size of Pb shall be at least one quarter of the size of the container.

ZC.2.3 ISO recycling symbol

The reference of the recycling symbol is ISO 7000-1135. For shape and dimensions, refer to the figure.

The three arrow recycling symbol shall cover at least 3 % of the area of the largest side of the battery up to a maximum size of 5 cm x 5 cm.



NOTE 1: Pb symbol can be found below the roll-out container or the three arrow symbol or between these locations anywhere on the same line.

NOTE 2: We can also find the three arrow symbol on the left side of the roll-out container.