
**Containers and accessories for
pharmaceutical preparations —**

Part 3:

**Screw-neck glass bottles (veral) for
solid and liquid dosage forms**

AMENDMENT 1

(standards.iteh.ai)

Réipients et accessoires pour préparations pharmaceutiques —

*Partie 3: Flacons en verre à bouchon à vis (veral) pour formes sèches
et liquides*

<https://standards.iteh.ai/catalog/standards/sist/4edf8ad4-bffa-4308-a101-5f2838701e3d/ISO-11418-3-2016-Amd-1-2017>

AMENDEMENT 1 2016-amd-1-2017



iTeh STANDARD PREVIEW
(standards.iteh.ai)

[ISO 11418-3:2016/Amd 1:2017](https://standards.iteh.ai/catalog/standards/sist/4edf8ad4-bffa-4308-a101-5f283870313d/iso-11418-3-2016-amd-1-2017)
<https://standards.iteh.ai/catalog/standards/sist/4edf8ad4-bffa-4308-a101-5f283870313d/iso-11418-3-2016-amd-1-2017>



COPYRIGHT PROTECTED DOCUMENT

© ISO 2017, Published in Switzerland

All rights reserved. Unless otherwise specified, no part of this publication may be reproduced or utilized otherwise in any form or by any means, electronic or mechanical, including photocopying, or posting on the internet or an intranet, without prior written permission. Permission can be requested from either ISO at the address below or ISO's member body in the country of the requester.

ISO copyright office
Ch. de Blandonnet 8 • CP 401
CH-1214 Vernier, Geneva, Switzerland
Tel. +41 22 749 01 11
Fax +41 22 749 09 47
copyright@iso.org
www.iso.org

Foreword

ISO (the International Organization for Standardization) is a worldwide federation of national standards bodies (ISO member bodies). The work of preparing International Standards is normally carried out through ISO technical committees. Each member body interested in a subject for which a technical committee has been established has the right to be represented on that committee. International organizations, governmental and non-governmental, in liaison with ISO, also take part in the work. ISO collaborates closely with the International Electrotechnical Commission (IEC) on all matters of electrotechnical standardization.

The procedures used to develop this document and those intended for its further maintenance are described in the ISO/IEC Directives, Part 1. In particular the different approval criteria needed for the different types of ISO documents should be noted. This document was drafted in accordance with the editorial rules of the ISO/IEC Directives, Part 2 (see www.iso.org/directives).

Attention is drawn to the possibility that some of the elements of this document may be the subject of patent rights. ISO shall not be held responsible for identifying any or all such patent rights. Details of any patent rights identified during the development of the document will be in the Introduction and/or on the ISO list of patent declarations received (see www.iso.org/patents).

Any trade name used in this document is information given for the convenience of users and does not constitute an endorsement.

For an explanation on the voluntary nature of standards, the meaning of ISO specific terms and expressions related to conformity assessment, as well as information about ISO's adherence to the World Trade Organization (WTO) principles in the Technical Barriers to Trade (TBT) see the following URL: www.iso.org/iso/foreword.html.

This document was prepared by Technical Committee ISO/TC 76, *Transfusion, infusion and injection, and blood processing equipment for medical and pharmaceutical use*.

A list of all parts in the ISO 11418 series can be found on the ISO website.

iTeh STANDARD PREVIEW
(standards.iteh.ai)

[ISO 11418-3:2016/Amd 1:2017](https://standards.iteh.ai/catalog/standards/sist/4edf8ad4-bffa-4308-a101-5f283870313d/iso-11418-3-2016-amd-1-2017)

<https://standards.iteh.ai/catalog/standards/sist/4edf8ad4-bffa-4308-a101-5f283870313d/iso-11418-3-2016-amd-1-2017>

Containers and accessories for pharmaceutical preparations —

Part 3: Screw-neck glass bottles (veral) for solid and liquid dosage forms

AMENDMENT 1

Figure 1

Replace the current Figure 1 with the following Figure (retaining the existing key):

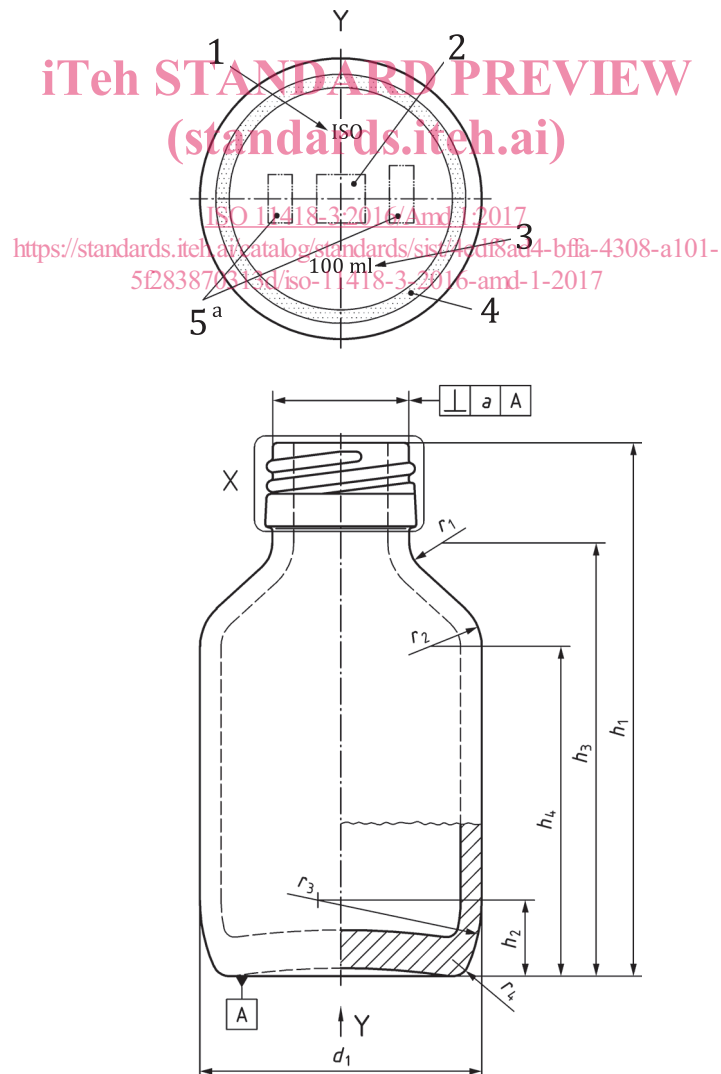


Figure A.1

Delete the existing Note of Figure A.1 and replace it with the two following Notes, where more detailed information about the minimum bore and diameter, D_2 , are given:

NOTE 1 Minimum through bore 16,0 mm.

NOTE 2 $D_2 = D_1 \pm 0,3 \text{ mm}$; min. 18,9 mm at 4 mm depth.

Figure A.2

Delete the existing Note of Figure A.2 and replace it with the two following Notes, where more detailed information about the minimum bore and diameter, D_2 , are given:

NOTE 1 Minimum through bore 16,0 mm.

NOTE 2 $D_2 = D_1 \pm 0,3 \text{ mm}$; min. 19,5 mm at 4 mm depth.

iTeh STANDARD PREVIEW
(standards.iteh.ai)

[ISO 11418-3:2016/Amd 1:2017](https://standards.iteh.ai/catalog/standards/sist/4edf8ad4-bffa-4308-a101-5f283870313d/iso-11418-3-2016-amd-1-2017)
<https://standards.iteh.ai/catalog/standards/sist/4edf8ad4-bffa-4308-a101-5f283870313d/iso-11418-3-2016-amd-1-2017>

iTeh STANDARD PREVIEW
(standards.iteh.ai)

[ISO 11418-3:2016/Amd 1:2017](https://standards.iteh.ai/catalog/standards/sist/4edf8ad4-bffa-4308-a101-5f283870313d/iso-11418-3-2016-amd-1-2017)

<https://standards.iteh.ai/catalog/standards/sist/4edf8ad4-bffa-4308-a101-5f283870313d/iso-11418-3-2016-amd-1-2017>

iTeh STANDARD PREVIEW
(standards.iteh.ai)

[ISO 11418-3:2016/Amd 1:2017](https://standards.iteh.ai/catalog/standards/sist/4edf8ad4-bffa-4308-a101-5f283870313d/iso-11418-3-2016-amd-1-2017)
<https://standards.iteh.ai/catalog/standards/sist/4edf8ad4-bffa-4308-a101-5f283870313d/iso-11418-3-2016-amd-1-2017>