

# ETSI TS 138 401 V17.10.0 (2024-09)



**5G;  
NG-RAN;  
Architecture description  
(3GPP TS 38.401 version 17.10.0 Release 17)**

[ETSI TS 138 401 V17.10.0 \(2024-09\)](https://standards.iteh.ai/catalog/standards/etsi/9baade0b-509c-4e2a-b357-520a6a05232c/etsi-ts-138-401-v17-10-0-2024-09)

<https://standards.iteh.ai/catalog/standards/etsi/9baade0b-509c-4e2a-b357-520a6a05232c/etsi-ts-138-401-v17-10-0-2024-09>



---

**Reference**

RTS/TSGR-0338401vha0

---

**Keywords**

5G

**ETSI**

---

650 Route des Lucioles  
F-06921 Sophia Antipolis Cedex - FRANCE

Tel.: +33 4 92 94 42 00 Fax: +33 4 93 65 47 16

Siret N° 348 623 562 00017 - APE 7112B  
Association à but non lucratif enregistrée à la  
Sous-Préfecture de Grasse (06) N° w061004871

---

**Important notice**

The present document can be downloaded from:

<https://www.etsi.org/standards-search>

The present document may be made available in electronic versions and/or in print. The content of any electronic and/or print versions of the present document shall not be modified without the prior written authorization of ETSI. In case of any existing or perceived difference in contents between such versions and/or in print, the prevailing version of an ETSI deliverable is the one made publicly available in PDF format at [www.etsi.org/deliver](http://www.etsi.org/deliver).

Users of the present document should be aware that the document may be subject to revision or change of status.

Information on the current status of this and other ETSI documents is available at

<https://portal.etsi.org/TB/ETSIDeliverableStatus.aspx>

If you find errors in the present document, please send your comment to one of the following services:

<https://portal.etsi.org/People/CommitteeSupportStaff.aspx>

If you find a security vulnerability in the present document, please report it through our

Coordinated Vulnerability Disclosure Program:

<https://www.etsi.org/standards/coordinated-vulnerability-disclosure>

---

**Notice of disclaimer & limitation of liability**

The information provided in the present deliverable is directed solely to professionals who have the appropriate degree of experience to understand and interpret its content in accordance with generally accepted engineering or other professional standard and applicable regulations.

No recommendation as to products and services or vendors is made or should be implied.

No representation or warranty is made that this deliverable is technically accurate or sufficient or conforms to any law and/or governmental rule and/or regulation and further, no representation or warranty is made of merchantability or fitness for any particular purpose or against infringement of intellectual property rights.

In no event shall ETSI be held liable for loss of profits or any other incidental or consequential damages.

Any software contained in this deliverable is provided "AS IS" with no warranties, express or implied, including but not limited to, the warranties of merchantability, fitness for a particular purpose and non-infringement of intellectual property rights and ETSI shall not be held liable in any event for any damages whatsoever (including, without limitation, damages for loss of profits, business interruption, loss of information, or any other pecuniary loss) arising out of or related to the use of or inability to use the software.

---

**Copyright Notification**

No part may be reproduced or utilized in any form or by any means, electronic or mechanical, including photocopying and microfilm except as authorized by written permission of ETSI.

The content of the PDF version shall not be modified without the written authorization of ETSI.

The copyright and the foregoing restriction extend to reproduction in all media.

© ETSI 2024.  
All rights reserved.

---

# Intellectual Property Rights

## Essential patents

IPRs essential or potentially essential to normative deliverables may have been declared to ETSI. The declarations pertaining to these essential IPRs, if any, are publicly available for **ETSI members and non-members**, and can be found in ETSI SR 000 314: "*Intellectual Property Rights (IPRs); Essential, or potentially Essential, IPRs notified to ETSI in respect of ETSI standards*", which is available from the ETSI Secretariat. Latest updates are available on the ETSI Web server (<https://ipr.etsi.org/>).

Pursuant to the ETSI Directives including the ETSI IPR Policy, no investigation regarding the essentiality of IPRs, including IPR searches, has been carried out by ETSI. No guarantee can be given as to the existence of other IPRs not referenced in ETSI SR 000 314 (or the updates on the ETSI Web server) which are, or may be, or may become, essential to the present document.

## Trademarks

The present document may include trademarks and/or tradenames which are asserted and/or registered by their owners. ETSI claims no ownership of these except for any which are indicated as being the property of ETSI, and conveys no right to use or reproduce any trademark and/or tradename. Mention of those trademarks in the present document does not constitute an endorsement by ETSI of products, services or organizations associated with those trademarks.

**DECT™**, **PLUGTESTS™**, **UMTS™** and the ETSI logo are trademarks of ETSI registered for the benefit of its Members. **3GPP™** and **LTE™** are trademarks of ETSI registered for the benefit of its Members and of the 3GPP Organizational Partners. **oneM2M™** logo is a trademark of ETSI registered for the benefit of its Members and of the oneM2M Partners. **GSM®** and the GSM logo are trademarks registered and owned by the GSM Association.

---

## Legal Notice

This Technical Specification (TS) has been produced by ETSI 3rd Generation Partnership Project (3GPP).

The present document may refer to technical specifications or reports using their 3GPP identities. These shall be interpreted as being references to the corresponding ETSI deliverables. (2024-09)

The cross reference between 3GPP and ETSI identities can be found under <https://webapp.etsi.org/key/queryform.asp>.

---

## Modal verbs terminology

In the present document "**shall**", "**shall not**", "**should**", "**should not**", "**may**", "**need not**", "**will**", "**will not**", "**can**" and "**cannot**" are to be interpreted as described in clause 3.2 of the [ETSI Drafting Rules](#) (Verbal forms for the expression of provisions).

"**must**" and "**must not**" are **NOT** allowed in ETSI deliverables except when used in direct citation.

# Contents

Intellectual Property Rights .....	2
Legal Notice .....	2
Modal verbs terminology.....	2
Foreword.....	7
1 Scope .....	8
2 References .....	8
3 Definitions and abbreviations.....	9
3.1 Definitions .....	9
3.2 Abbreviations .....	11
4 General principles .....	12
5 General architecture .....	12
5.1 General .....	12
5.2 User plane.....	13
5.3 Control plane.....	13
6 NG-RAN architecture.....	14
6.1 Overview .....	14
6.1.1 Overall Architecture of NG-RAN.....	14
6.1.2 Overall architecture for separation of gNB-CU-CP and gNB-CU-UP .....	15
6.1.3 Overall Architecture of IAB .....	16
6.1.4 Protocol stacks of IAB .....	17
6.1.5 Overall Architecture of NR MBS .....	19
6.1.6 Protocol stacks of L2 UE-to-Network Relay .....	19
6.2 NG-RAN identifiers .....	20
6.2.1 Principle of handling Application Protocol Identities.....	20
6.2.2 gNB-DU ID .....	22
6.2.3 ng-eNB-DU ID .....	22
6.2.4 gNB-CU-UP ID .....	23
6.2.5 RAN UE ID .....	23
6.3 Transport addresses .....	23
6.4 UE associations in NG-RAN Node .....	23
6.5 MBS Session associations in NG-RAN Node .....	24
7 NG-RAN functions description.....	25
7.0 General .....	25
7.1 NG-RAN sharing.....	26
7.2 Remote Interference Management .....	26
7.3 Cross-Link Interference Management .....	26
7.4 Support for Non-Public Networks.....	26
7.5 RACH Optimisation Function.....	26
7.6 Positioning.....	26
7.7 Support for NR MBS.....	26
7.7.1 Support of dynamic PTP and PTM switching.....	26
7.8 PCI Optimisation Function.....	27
7.9 Support for CCO .....	27
7.9.1 General.....	27
7.9.2 OAM requirements .....	27
7.9.3 Dynamic coverage configuration changes .....	27
7.10 Support of RAN visible QoE measurement.....	27
8 Overall procedures in gNB-CU/gNB-DU Architecture .....	27
8.1 UE Initial Access.....	27
8.2 Intra-gNB-CU Mobility.....	29
8.2.1 Intra-NR Mobility .....	29

8.2.1.1	Inter-gNB-DU Mobility .....	29
8.2.1.2	Intra-gNB-DU handover .....	30
8.2.1.3	Inter-gNB-DU Conditional Handover or Conditional PSCell Change.....	31
8.2.2	EN-DC Mobility .....	32
8.2.2.1	Inter-gNB-DU Mobility using MCG SRB .....	32
8.2.2.2	Inter-gNB-DU Mobility using SCG SRB (SRB3) .....	34
8.2.2.3	Inter-gNB-DU Conditional PSCell Change using MCG SRB without MN negotiation.....	34
8.2.3	Intra-CU topology adaptation procedure .....	36
8.2.3.1	Intra-CU topology adaptation procedure in SA.....	36
8.2.3.2	Intra-CU topology adaptation procedure in NSA using MCG SRB.....	39
8.2.3.3	Intra-CU topology adaptation procedure in NSA using SCG SRB (SRB3).....	41
8.2.4	Intra-CU topological redundancy procedure.....	41
8.2.5	Intra-CU Backhaul RLF recovery for IAB-nodes in SA mode.....	44
8.3	Mechanism of centralized retransmission of lost PDUs.....	45
8.3.1	Centralized Retransmission in Intra gNB-CU Cases .....	45
8.4	Multi-Connectivity operation .....	46
8.4.1	Secondary Node Addition.....	46
8.4.1.1	EN-DC .....	46
8.4.2	Secondary Node Release (MN/SN initiated) .....	47
8.4.2.1	EN-DC .....	47
8.4.3	SCG suspend/resume in RRC_INACTIVE .....	48
8.4.4	SCG Deactivation and Activation.....	49
8.4.4.1	SN Addition with SCG Activation or Deactivation .....	50
8.4.4.2	MN initiated SN Modification with SCG Activation or Deactivation .....	51
8.4.4.3	SN initiated SN Modification with SCG Activation or Deactivation.....	52
8.5	F1 Startup and cells activation .....	52
8.6	RRC state transition.....	54
8.6.1	RRC connected to RRC inactive.....	54
8.6.2	RRC inactive to other states.....	54
8.7	RRC connection reestablishment .....	56
8.8	Multiple TNLAs for F1-C .....	58
8.9	Overall procedures involving E1 and F1 .....	59
8.9.1	UE Initial Access .....	59
8.9.2	Bearer context setup over F1-U .....	60
8.9.3	Bearer context release over F1-U .....	61
8.9.3.1	gNB-CU-CP initiated bearer context release .....	61
8.9.3.2	gNB-CU-UP initiated bearer context release .....	62
8.9.4	Inter-gNB handover involving gNB-CU-UP change .....	63
8.9.5	Change of gNB-CU-UP .....	65
8.9.6	RRC State transition .....	66
8.9.6.1	RRC Connected to RRC Inactive.....	66
8.9.6.2	RRC Inactive to other states.....	67
8.9.7	Trace activation/deactivation over F1 and E1.....	69
8.9.8	BH RLC channel establishment procedure.....	69
8.9.9	Traffic Mapping.....	71
8.9.9.1	Traffic Mapping from IP-layer to Layer-2 .....	71
8.9.9.2	BH RLC Channel Mapping on BAP Layer.....	71
8.9.10	IAB-node release .....	71
8.9.10.1	IAB-node orderly release .....	72
8.9.10.2	IAB-node disorderly release.....	72
8.9.11	IAB-node OAM .....	72
8.9.12	Handling of IAB-MTs in INACTIVE State.....	72
8.9.13	IP Address Allocation for IAB-nodes .....	72
8.9.14	(void) .....	73
8.9.15	(void) .....	73
8.9.16	(void) .....	73
8.9.17	IAB-node authorization .....	73
8.9.17.1	IAB-node in NSA.....	73
8.9.17.2	IAB-node with single IAB-donor in SA.....	74
8.9.17.2.1	IAB-node is single-connected .....	74
8.9.17.2.2	IAB-node is NR dual-connected.....	74
8.9.17.3	IAB-node is served by two IAB-donors in SA.....	74

8.10	Multiple TNLAs for E1 .....	74
8.11	Support of Network Sharing with multiple cell-ID broadcast .....	76
8.11.1	General .....	76
8.11.2	Initial Registration – separate PLMN signalling .....	76
8.11.3	RRC Connection Reestablishment – separate PLMN signalling .....	77
8.11.4	Support of shared signalling transport .....	78
8.12	IAB-node Integration Procedure .....	78
8.12.1	Standalone IAB integration .....	78
8.12.2	NSA IAB Integration procedure .....	79
8.13	Overall procedures for MDT .....	81
8.13.0	General .....	81
8.13.1	Signalling based MDT activation .....	81
8.13.2	Management based MDT activation .....	81
8.13.2.1	General .....	81
8.13.2.2	Management based MDT Activation in gNB-CU-CP .....	82
8.13.2.3	Management based MDT Activation in gNB-DU .....	82
8.13.2.4	Management based MDT Activation in gNB-CU-UP .....	83
8.13.2.5	User consent propagation in EN-DC .....	84
8.13.2.6	User consent propagation in MR-DC with 5GC .....	85
8.13.2.7	Management based trace activation in MR-DC with 5GC .....	86
8.13.3	Alignment of MDT and QoE Measurements .....	87
8.13.4	MDT reporting .....	87
8.14	Self-optimisation .....	87
8.14.1	Overall procedures for MRO .....	87
8.14.1.1	Signalling of RLF information from gNB-CU to gNB-DU .....	88
8.14.1.2	Signalling of RACH information from gNB-CU to gNB-DU .....	88
8.15	Overall procedures for NR MBS .....	89
8.15.1	General .....	89
8.15.1.1	Broadcast MBS Session Setup .....	89
8.15.1.2	Multicast MBS Session Context Establishment .....	90
8.15.1.3	Multicast MRB type re-configuration with F1-U ptp-retransmission tunnel establishment .....	92
8.15.2	Mobility procedure for Multicast .....	93
8.15.2.1	Inter-gNB-CU Mobility between MBS Supporting nodes .....	93
8.16	Overall procedures for CPAC .....	94
8.16.1	MN initiated Conditional PSCell Addition .....	94
8.16.2	MN initiated Conditional SN Change .....	95
8.16.3	SN initiated conditional inter-SN Change .....	95
8.17	IAB Inter-CU Topology Management .....	95
8.17.1	IAB Inter-donor-DU Re-routing .....	95
8.17.2	IAB Inter-CU Topology Redundancy .....	96
8.17.2.1	IAB Inter-CU topological redundancy procedure .....	96
8.17.3	IAB Inter-CU Topology Adaptation .....	98
8.17.3.1	IAB inter-CU topology adaptation procedure .....	98
8.17.3.2	IAB inter-CU topology adaptation procedure with descendant IAB-node .....	101
8.17.4	IAB Inter-CU Backhaul RLF recovery for single connected IAB-node .....	103
8.18	Overall procedure for Small Data Transmission during RRC Inactive .....	106
8.18.1	RACH based SDT .....	106
8.18.2	CG based SDT .....	107
8.18.3	RA-SDT or non-SDT with CG-SDT configuration .....	108
8.19	Overall procedures for L2 UE-to-Network Relay .....	109
8.19.1	Remote UE initial access .....	109
8.19.2	Remote UE RRC Reestablishment .....	112
8.19.3	Remote UE RRC Inactive to other states .....	114
8.19.4	Service Continuity for L2 U2N relay .....	116
8.19.4.1	Inter-gNB-DU switch from direct to indirect path .....	116
8.19.4.2	Intra-gNB-DU switch from direct to indirect path .....	118
8.20	Void .....	119
9	Synchronization .....	119
9.1	gNB Synchronization .....	119
10	NG-RAN interfaces .....	120

10.1	NG interface .....	120
10.2	Xn interface .....	120
10.3	F1 interface.....	120
10.4	E1 interface .....	120
10.5	Antenna interface - general principles.....	120
11	Overall procedures in NG-RAN Architecture .....	121
11.1	Multiple TNLAs for Xn-C .....	121
<b>Annex A (informative):</b>	<b>Deployment scenarios of gNB/en-gNB .....</b>	<b>122</b>
<b>Annex B:</b>	<b>NG-RAN Architecture for Radio Access Network Sharing with multiple cell ID broadcast (informative).....</b>	<b>123</b>
<b>Annex C (informative):</b>	<b>Change History .....</b>	<b>124</b>
History .....		126

**iTeh Standards**  
**(<https://standards.iteh.ai>)**  
**Document Preview**

[ETSI TS 138 401 V17.10.0 \(2024-09\)](https://standards.iteh.ai/catalog/standards/etsi/9baade0b-509c-4e2a-b357-520a6a05232e/etsi-ts-138-401-v17-10-0-2024-09)

<https://standards.iteh.ai/catalog/standards/etsi/9baade0b-509c-4e2a-b357-520a6a05232e/etsi-ts-138-401-v17-10-0-2024-09>

---

# Foreword

This Technical Specification has been produced by the 3<sup>rd</sup> Generation Partnership Project (3GPP).

The contents of the present document are subject to continuing work within the TSG and may change following formal TSG approval. Should the TSG modify the contents of the present document, it will be re-released by the TSG with an identifying change of release date and an increase in version number as follows:

Version x.y.z

where:

- x the first digit:
  - 1 presented to TSG for information;
  - 2 presented to TSG for approval;
  - 3 or greater indicates TSG approved document under change control.
- y the second digit is incremented for all changes of substance, i.e. technical enhancements, corrections, updates, etc.
- z the third digit is incremented when editorial only changes have been incorporated in the document.

**iTeh Standards**  
**(<https://standards.iteh.ai>)**  
**Document Preview**

[ETSI TS 138 401 V17.10.0 \(2024-09\)](https://standards.iteh.ai/catalog/standards/etsi/9baade0b-509c-4e2a-b357-520a6a05232e/etsi-ts-138-401-v17-10-0-2024-09)

<https://standards.iteh.ai/catalog/standards/etsi/9baade0b-509c-4e2a-b357-520a6a05232e/etsi-ts-138-401-v17-10-0-2024-09>

---

# 1 Scope

The present document describes the overall architecture of the NG-RAN, including interfaces NG, Xn and F1 interfaces and their interaction with the radio interface.

---

# 2 References

The following documents contain provisions which, through reference in this text, constitute provisions of the present document.

- References are either specific (identified by date of publication, edition number, version number, etc.) or non-specific.
- For a specific reference, subsequent revisions do not apply.
- For a non-specific reference, the latest version applies. In the case of a reference to a 3GPP document (including a GSM document), a non-specific reference implicitly refers to the latest version of that document *in the same Release as the present document*.

- [1] 3GPP TR 21.905: "Vocabulary for 3GPP Specifications".
- [2] 3GPP TS 38.300: "NR; Overall description; Stage-2".
- [3] 3GPP TS 23.501: "System Architecture for the 5G System".
- [4] 3GPP TS 38.473: "NG-RAN; F1 application protocol (F1AP)".
- [5] 3GPP TS 38.414: "NG-RAN; NG data transport".
- [6] 3GPP TS 38.424: "NG-RAN; Xn data transport".
- [7] 3GPP TS 38.474: "NG-RAN; F1 data transport".
- [8] ITU-T Recommendation G.823 (2000-03): "The control of jitter and wander within digital networks which are based on the 2048 kbit/s hierarchy".
- [9] ITU-T Recommendation G.824 (2000-03): "The control of jitter and wander within digital networks which are based on the 1544 kbit/s hierarchy".
- [10] ITU-T Recommendation G.825 (2001-08): "The control of jitter and wander within digital networks which are based on the synchronous digital hierarchy (SDH)".
- [11] ITU-T Recommendation G.8261/Y.1361 (2008-04): "Timing and Synchronization aspects in Packet networks".
- [12] 3GPP TS 37.340: "NR; Multi-connectivity; Overall description; Stage-2".
- [13] 3GPP TS 33.501: "Security Architecture and Procedures for 5G System".
- [14] 3GPP TS 38.410: "NG-RAN; NG general aspect and principles".
- [15] 3GPP TS 38.420: "NG-RAN; Xn general aspects and principles".
- [16] 3GPP TS 38.470: "NG-RAN; F1 general aspects and principles".
- [17] 3GPP TS 38.460: "NG-RAN; E1 general aspects and principles".
- [18] 3GPP TS 33.210: "3G security; Network Domain Security (NDS); IP Network Layer Security".
- [19] 3GPP TS 36.300: "Evolved Universal Terrestrial Radio Access (E-UTRA), Evolved Universal Terrestrial Radio Access Network (E-UTRAN); Overall description; Stage 2".
- [20] 3GPP TS 32.422: "Trace control and configuration management".

- [21] 3GPP TS 37.470: "Evolved Universal Terrestrial Radio Access Network (E-UTRAN) and NG-RAN; W1 general aspects and principles; Stage-2".
- [22] 3GPP TS 38.340: "NR; Backhaul Adaptation Protocol (BAP) specification".
- [23] 3GPP TS 38.331: "NR; Radio Resource Control (RRC) protocol specification".
- [24] 3GPP TS 38.425: "NG-RAN; NR user plane Protocol".
- [25] 3GPP TS 38.305: "NG Radio Access Network (NG-RAN); Stage 2 functional specification of User Equipment (UE) positioning in NG-RAN".
- [26] 3GPP TS 38.472: "NG-RAN; F1 signalling transport".
- [27] 3GPP TS 23.247: " Architectural enhancements for 5G multicast-broadcast services; Stage 2".
- [28] 3GPP TS 36.401: "Evolved Universal Terrestrial Radio Access Network (E-UTRAN); Architecture Description".
- [29] IETF RFC 4555 (2006-06): "RFC IKEv2 Mobility and Multihoming Protocol (MOBIKE)".
- [30] 3GPP TS 38.321 "NR; Medium Access Control (MAC) protocol specification".
- [31] 3GPP TS 37.320: "Radio measurement collection for Minimization of Drive Tests (MDT); Overall description; Stage 2".

---

## 3 Definitions and abbreviations

### 3.1 Definitions

For the purposes of the present document, the terms and definitions given in TR 21.905 [1] and the following apply. A term defined in the present document takes precedence over the definition of the same term, if any, in TR 21.905 [1].

**Associated QoS Flow:** as defined in TS 23.247 [27].

**Associated QoS flow information:** Information encompassing: QoS flow QoS parameters for associated QoS flows and mapping information between mapped (unicast) QoS flows and associated QoS flows. The respective information is included in a way that non-supporting RAN nodes would not establish respective RAN resources irrespective the multicast session state.

**Boundary IAB-node:** an IAB-node with one RRC interface terminating at a different IAB-donor-CU than the F1 interface. This definition applies to partial migration, inter-donor redundancy and inter-donor RLF recovery.

**Conditional Handover:** as defined in TS 38.300 [2].

**Conditional PSCell Addition:** as defined in TS 37.340 [12].

**Conditional PSCell Change:** as defined in TS 37.340 [12].

**DAPS Handover:** as defined in TS 38.300 [2].

**eNB-CP:** as defined in TS 36.401 [28].

**eNB-UP:** as defined in TS 36.401 [28].

**en-gNB:** as defined in TS 37.340 [12].

**Early Data Forwarding:** as defined in TS 38.300 [2].

**F1-terminating IAB-donor of boundary IAB-node:** Refers to the IAB-donor that terminates F1 for the boundary IAB-node.

**gNB:** as defined in TS 38.300 [2].

**gNB Central Unit (gNB-CU):** a logical node hosting RRC, SDAP and PDCP protocols of the gNB or RRC and PDCP protocols of the en-gNB that controls the operation of one or more gNB-DUs. The gNB-CU terminates the F1 interface connected with the gNB-DU.

**gNB Distributed Unit (gNB-DU):** a logical node hosting RLC, MAC and PHY layers of the gNB or en-gNB, and its operation is partly controlled by gNB-CU. One gNB-DU supports one or multiple cells. One cell is supported by only one gNB-DU. The gNB-DU terminates the F1 interface connected with the gNB-CU. For DC operation, the MgNB-DU designates the gNB-DU of an en-gNB or a gNB acting as master node, and the SgNB-DU designates the gNB-DU of an en-gNB or a gNB acting as secondary node.

**gNB-CU-Control Plane (gNB-CU-CP):** a logical node hosting the RRC and the control plane part of the PDCP protocol of the gNB-CU for an en-gNB or a gNB. The gNB-CU-CP terminates the E1 interface connected with the gNB-CU-UP and the F1-C interface connected with the gNB-DU. For DC operation, the MgNB-CU-CP designates the gNB-CU-CP of the gNB-CU for an en-gNB or a gNB acting as master node, and the SgNB-CU-CP designates the gNB-CU-CP of the gNB-CU for an en-gNB or a gNB acting as secondary node.

**gNB-CU-User Plane (gNB-CU-UP):** a logical node hosting the user plane part of the PDCP protocol of the gNB-CU for an en-gNB, and the user plane part of the PDCP protocol and the SDAP protocol of the gNB-CU for a gNB. The gNB-CU-UP terminates the E1 interface connected with the gNB-CU-CP and the F1-U interface connected with the gNB-DU. For DC operation, the MgNB-CU-UP designates the gNB-CU-UP of the gNB-CU for an en-gNB or a gNB acting as master node, and the SgNB-CU-UP designates the gNB-CU-UP of the gNB-CU for an en-gNB or a gNB acting as secondary node.

**IAB-node:** as defined in TS 38.300 [2].

**IAB-donor:** as defined in TS 38.300 [2].

**IAB-donor-CU:** the gNB-CU of an IAB-donor, terminating the F1 interface towards IAB-nodes and IAB-donor-DU.

**IAB-donor-DU:** the gNB-DU of an IAB-donor, hosting the IAB BAP sublayer (as defined in TS 38.340 [22]), providing wireless backhaul to IAB-nodes.

**IAB-DU:** as defined in TS 38.300 [2].

**IAB-MT:** as defined in TS 38.300 [2].

**IAB Topology:** as defined in TS 38.300 [2].

**Mapped QoS flows:** Unicast QoS flows requested to be established, i.e. included in the legacy QoS flow lists in a way, that non-support RAN nodes would attempt to establish unicast QoS flows and supporting RAN nodes can identify them as mapped QoS flows based on the associated QoS information.

**Master node:** as defined in TS 37.340 [12].

**Master gNB:** see TS 37.340 [12].

**MBS session resource:** This term is used for specification of NG, Xn, F1 and E1 interfaces. It denotes NG-RAN interface and radio resources provided to support an MBS Session.

**ng-eNB:** as defined in TS 38.300 [2].

**ng-eNB Central Unit (ng-eNB-CU):** as defined in TS 37.470 [21].

**ng-eNB Distributed Unit (ng-eNB-DU):** as defined in TS 37.470 [21].

**ng-eNB-CU-Control Plane (ng-eNB-CU-CP):** a logical node hosting the RRC and the control plane part of the PDCP protocol of the ng-eNB-CU for an ng-eNB. The ng-eNB-CU-CP terminates the E1 interface connected with the ng-eNB-CU-UP and the W1-C interface connected with the ng-eNB-DU.

**ng-eNB-CU-User Plane (ng-eNB-CU-UP):** a logical node hosting the user plane part of the PDCP protocol and the SDAP protocol of the ng-eNB-CU for an ng-eNB. The ng-eNB-CU-UP terminates the E1 interface connected with the ng-eNB-CU-CP and the W1-U interface connected with the ng-eNB-DU.

**NG-RAN node:** as defined in TS 38.300 [2].

**Non-F1-terminating IAB-donor of boundary IAB-node:** Refers to the IAB-donor that has an RRC connection with the boundary node but does not terminate F1 with this boundary node.

**PDU Session Resource:** This term is used for specification of NG, Xn, and E1 interfaces. It denotes NG-RAN interface and radio resources provided to support a PDU Session.

**Public Network Integrated NPN:** as defined in TS 23.501 [3].

**Secondary gNB:** see TS 37.340 [12].

**Stand-alone Non-Public Network:** as defined in TS 23.501 [3].

**U2N Relay UE:** as defined in TS 38.300 [2].

**U2N Remote UE:** as defined in TS 38.300 [2].

## 3.2 Abbreviations

For the purposes of the present document, the terms and definitions given in TR 21.905 [1] and the following apply. A term defined in the present document takes precedence over the definition of the same term, if any, in TR 21.905 [1].

5GC	5G Core Network
AMF	Access and Mobility Management Function
AP	Application Protocol
AS	Access Stratum
BH	Backhaul
CAG	Closed Access Group
CHO	Conditional Handover
CLI	Cross-Link Interference
CM	Connection Management
CMAS	Commercial Mobile Alert Service
CPA	Conditional PSCell Addition
CPC	Conditional PSCell Change
DAPS	Dual Active Protocol Stack
EM	Element Manager
EN-DC	E-UTRA-NR Dual Connectivity
ETWS	Earthquake and Tsunami Warning System
F1-U	F1 User plane interface
F1-C	F1 Control plane interface
F1AP	F1 Application Protocol
FDD	Frequency Division Duplex
FTEID	Fully Qualified TEID
GTP-U	GPRS Tunnelling Protocol
IAB	Integrated Access and Backhaul
IP	Internet Protocol
L2	Layer-2
MBS	Multicast Broadcast Service
MCG	Master Cell Group
MDT	Minimization of Drive Tests
MN	Master Node
MgNB	Master gNB
MRB	MBS Radio Bearer
MRDC	Multi-Radio Dual Connectivity
NAS	Non-Access Stratum
NID	Network identifier
NPN	Non-Public Network
NSA	Non Standalone
OAM	Operation, Administration and Maintenance
PNI-NPN	Public Network Integrated Non-Public Network
PTP	Point to Point
PTM	Point to Multipoint
PWS	Public Warning System

QoE	Quality of Experience
QoS	Quality of Service
RET	Remote Electrical Tilting
RIM	Remote Interference Management
RIM-RS	Remote Interference Management Reference Signal
RNL	Radio Network Layer
RRC	Radio Resource Control
SA	Standalone
SAP	Service Access Point
SCG	Secondary Cell Group
SCTP	Stream Control Transmission Protocol
SDT	Small Data Transmission
SFN	System Frame Number
SgNB	Secondary gNB
SM	Session Management
SMF	Session Management Function
SN	Secondary Node
SNPN	Stand-alone Non-Public Network
SRAP	Sidelink Relay Adaptation Protocol
TCE	Trace Collection Entity
TDD	Time Division Duplex
TDM	Time Division Multiplexing
TEID	Tunnel Endpoint Identifier
TMA	Tower Mounted Amplifier
TNL	Transport Network Layer
U2N	UE-to-Network

iTech Standards

## 4 General principles

The general principles guiding the definition of NG-RAN architecture as well as the NG-RAN interfaces are the following:

- Logical separation of signalling and data transport networks.

NG-RAN and 5GC functions are fully separated from transport functions. Addressing scheme used in NG-RAN and 5GC shall not be tied to the addressing schemes of transport functions. The fact that some NG-RAN or 5GC functions reside in the same equipment as some transport functions does not make the transport functions part of the NG-RAN or the 5GC.

- Mobility for an RRC connection is fully controlled by the NG-RAN.
- The NG-RAN interfaces are defined along the following principles:
  - The functional division across the interfaces have as few options as possible.
  - Interfaces are based on a logical model of the entity controlled through this interface.
  - One physical network element can implement multiple logical nodes.

## 5 General architecture

### 5.1 General

The protocols over Uu and NG interfaces are divided into two structures:

- **User plane protocols**

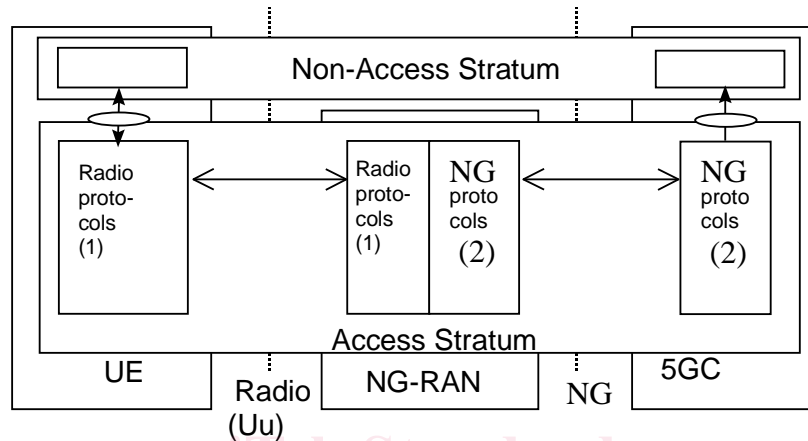
These are the protocols implementing the actual PDU Session service, i.e. carrying user data through the access stratum.

- Control plane protocols

These are the protocols for controlling the PDU Sessions and the connection between the UE and the network from different aspects (including requesting the service, controlling different transmission resources, handover etc.). Also a mechanism for transparent transfer of NAS messages is included.

## 5.2 User plane

The PDU Session Resource service is offered from SAP to SAP by the Access Stratum. Figure 5.2-1 shows the protocols on the Uu and the NG interfaces that linked together provide this PDU Session Resource service.

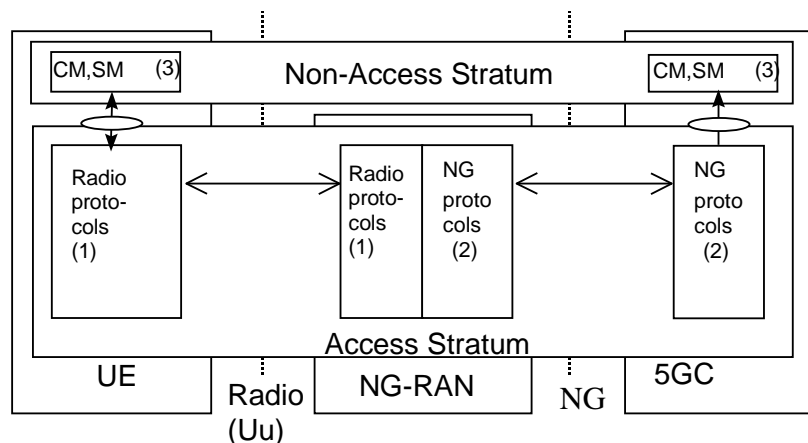


NOTE 1: The radio interface protocols are defined in TS 38.2xx and TS 38.3xx.  
 NOTE 2: The NG interface protocols are defined in TS 38.41x.

Figure 5.2-1: NG and Uu user plane

## 5.3 Control plane

Figure 5.3-1 shows the control plane (signalling) protocol stacks on NG and Uu interfaces.



NOTE 1: The radio interface protocols are defined in TS 38.2xx and TS 38.3xx.  
 NOTE 2: The protocol is defined in TS 38.41x. (Description of NG interface).  
 NOTE 3: CM, SM: This exemplifies a set of NAS control protocols between UE and 5GC. The evolution of the protocol architecture for these protocols is outside the scope of the present document.

Figure 5.3-1: NG and Uu control plane