



**SLOVENSKI STANDARD**  
**SIST EN 13045:2022**

**01-december-2022**

**Nadomešča:**  
**SIST EN 13045:2009**

---

**Embalaža - Prožne valjaste plastične tube - Mere in odstopanja**

Packaging - Flexible cylindrical plastic tubes - Dimensions and tolerances

Packmittel - Zylindrische Kunststofftuben - Maße und Grenzabmaße

Emballage - Tubes souples cylindriques plastique - Dimensions et tolérances

**Ta slovenski standard je istoveten z: EN 13045:2022**

**ICS:**

55.120

Pločevinke. Tube

Cans. Tins. Tubes

**SIST EN 13045:2022**

**en,fr,de**



EUROPEAN STANDARD

EN 13045

NORME EUROPÉENNE

EUROPÄISCHE NORM

August 2022

ICS 55.120

Supersedes EN 13045:2009

English Version

## Packaging - Flexible cylindrical plastic tubes - Dimensions and tolerances

Emballage - Tubes cylindriques souples en matériau  
plastique - Dimensions et tolérances

Packmittel - Zylindrische Kunststofftuben - Maße und  
Grenzabmaße

This European Standard was approved by CEN on 3 July 2022.

CEN members are bound to comply with the CEN/CENELEC Internal Regulations which stipulate the conditions for giving this European Standard the status of a national standard without any alteration. Up-to-date lists and bibliographical references concerning such national standards may be obtained on application to the CEN-CENELEC Management Centre or to any CEN member.

This European Standard exists in three official versions (English, French, German). A version in any other language made by translation under the responsibility of a CEN member into its own language and notified to the CEN-CENELEC Management Centre has the same status as the official versions.

CEN members are the national standards bodies of Austria, Belgium, Bulgaria, Croatia, Cyprus, Czech Republic, Denmark, Estonia, Finland, France, Germany, Greece, Hungary, Iceland, Ireland, Italy, Latvia, Lithuania, Luxembourg, Malta, Netherlands, Norway, Poland, Portugal, Republic of North Macedonia, Romania, Serbia, Slovakia, Slovenia, Spain, Sweden, Switzerland, Türkiye and United Kingdom.

[SIST EN 13045:2022](https://standards.iteh.ai/catalog/standards/sist/c05589b3-6336-4af8-8aa9-1a6d182a14d3/sist-en-13045-2022)

<https://standards.iteh.ai/catalog/standards/sist/c05589b3-6336-4af8-8aa9-1a6d182a14d3/sist-en-13045-2022>



EUROPEAN COMMITTEE FOR STANDARDIZATION  
COMITÉ EUROPÉEN DE NORMALISATION  
EUROPÄISCHES KOMITEE FÜR NORMUNG

CEN-CENELEC Management Centre: Rue de la Science 23, B-1040 Brussels

<b>Contents</b>		Page
<b>1</b>	<b>Scope .....</b>	<b>4</b>
<b>2</b>	<b>Normative references.....</b>	<b>4</b>
<b>3</b>	<b>Terms and definitions.....</b>	<b>4</b>
<b>4</b>	<b>Dimensions .....</b>	<b>6</b>

**iTeh STANDARD PREVIEW**  
**(standards.iteh.ai)**

SIST EN 13045:2022

<https://standards.iteh.ai/catalog/standards/sist/c05589b3-6336-4af8-8aa9-1a6d182a14d3/sist-en-13045-2022>

## European foreword

This document (EN 13045:2022) has been prepared by Technical Committee CEN/TC 261 “Packaging”, the secretariat of which is held by AFNOR.

This European Standard shall be given the status of a national standard, either by publication of an identical text or by endorsement, at the latest by February 2023, and conflicting national standards shall be withdrawn at the latest by February 2023.

Attention is drawn to the possibility that some of the elements of this document may be the subject of patent rights. CEN shall not be held responsible for identifying any or all such patent rights.

This document supersedes EN 13045:2009.

This document has been prepared under a Standardization Request given to CEN by the European Commission and the European Free Trade Association.

In comparison with the previous edition, the following technical modifications have been made:

- in Table 1, the length  $l_1$  has been modified for the nominal diameter  $D$ : 25 mm, 40 mm and 50 mm;
- in Clause 4, it has been specified that dimensions and tolerances are valid for standard materials with or without barrier layers.

Any feedback and questions on this document should be directed to the users' national standards body. A complete listing of these bodies can be found on the CEN website.

According to the CEN-CENELEC Internal Regulations, the national standards organisations of the following countries are bound to implement this European Standard: Austria, Belgium, Bulgaria, Croatia, Cyprus, Czech Republic, Denmark, Estonia, Finland, France, Germany, Greece, Hungary, Iceland, Ireland, Italy, Latvia, Lithuania, Luxembourg, Malta, Netherlands, Norway, Poland, Portugal, Republic of North Macedonia, Romania, Serbia, Slovakia, Slovenia, Spain, Sweden, Switzerland, Türkiye and the United Kingdom.

**EN 13045:2022 (E)****1 Scope**

This document specifies the diameter, length, wall thickness and shoulder geometry of flexible cylindrical plastic tubes.

It is applicable to tubes used for packing pharmaceutical, cosmetic, hygiene, food and other domestic and industrial products.

**2 Normative references**

The following documents are referred to in the text in such a way that some or all of their content constitutes requirements of this document. For dated references, only the edition cited applies. For undated references, the latest edition of the referenced document (including any amendments) applies.

EN 12374, *Packaging - Flexible tubes - Terminology*

**3 Terms and definitions**

For the purposes of this document, the terms and definitions given in EN 12374 and the following apply.

ISO and IEC maintain terminological databases for use in standardization at the following addresses:

- ISO Online browsing platform: available at <http://www.iso.org/obp>
- IEC Electropedia: available at <http://www.electropedia.org/>

**3.1 nominal diameter**

$D$

diameter  $d_1$  of the tube measured at the shoulder

**3.2 nominal length**

$L$

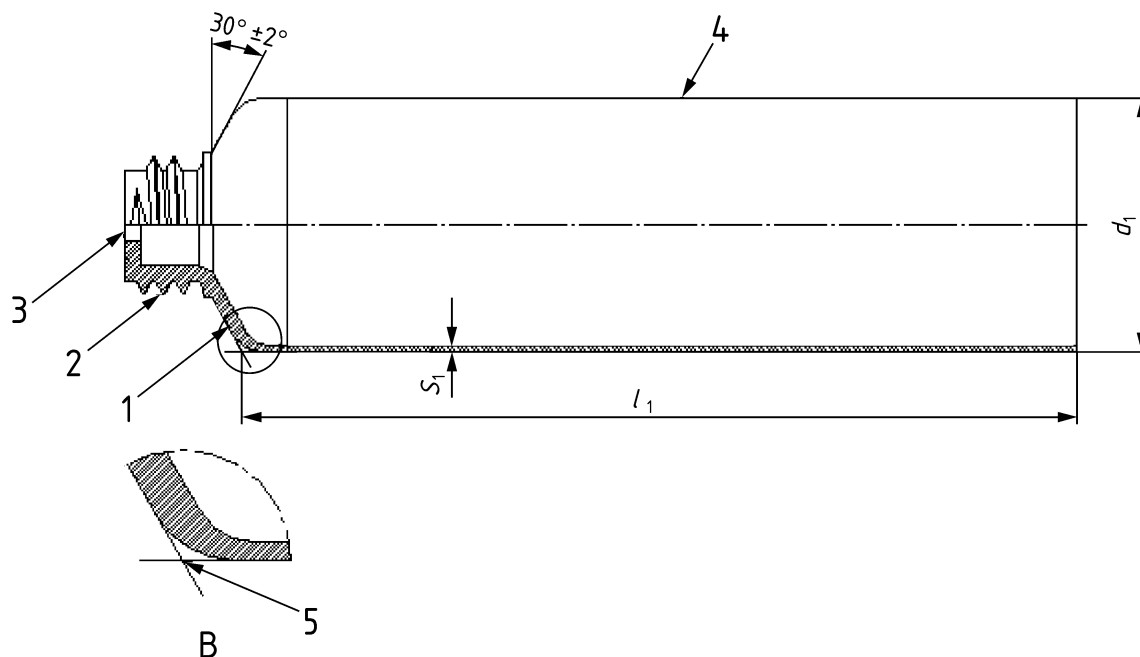
measured distance between the shoulder and the open end of the tube

Note 1 to entry: Length  $l_1$  shown in Figure 1.

**3.3 thickness of the sleeve**

$S_1$

thickness of the body wall of the tube

**Key**

- 1 shoulder
- 2 nozzle
- 3 orifice
- 4 body (tube sleeve)
- 5 measurement point for the length of the tube body

**Figure 1 — Flexible cylindrical plastic tube**

<https://standards.iteh.ai/catalog/standards/sist/c05589b3-6336-4af8-8aa9-1a6d182a14d3/sist-en-13045-2022>