



SLOVENSKI STANDARD
oSIST prEN 13045:2021
01-oktober-2021

Embalaža - Prožne valjaste plastične tube - Mere in odstopanja

Packaging - Flexible cylindrical plastic tubes - Dimensions and tolerances

Packmittel - Zylindrische Kunststofftuben - Maße und Grenzabmaße

Emballage - Tubes souples cylindriques plastique - Dimensions et tolérances

Ta slovenski standard je istoveten z: prEN 13045

[oSIST prEN 13045:2021](https://standards.iteh.ai/catalog/standards/sist/c05589b3-6336-4af8-8aa9-1a6d182a14d3/osist-pren-13045-2021)

<https://standards.iteh.ai/catalog/standards/sist/c05589b3-6336-4af8-8aa9-1a6d182a14d3/osist-pren-13045-2021>

ICS:

55.120

Pločevinke. Tube

Cans. Tins. Tubes

oSIST prEN 13045:2021

en,fr,de

iTeh STANDARD PREVIEW
(standards.iteh.ai)

[oSIST prEN 13045:2021](https://standards.iteh.ai/catalog/standards/sist/c05589b3-6336-4af8-8aa9-1a6d182a14d3/osist-pren-13045-2021)

<https://standards.iteh.ai/catalog/standards/sist/c05589b3-6336-4af8-8aa9-1a6d182a14d3/osist-pren-13045-2021>

EUROPEAN STANDARD
NORME EUROPÉENNE
EUROPÄISCHE NORM

DRAFT
prEN 13045

September 2021

ICS 55.120

Will supersede EN 13045:2009

English Version

Packaging - Flexible cylindrical plastic tubes - Dimensions and tolerances

Emballage - Tubes souples cylindriques plastique - Dimensions et tolérances

Packmittel - Zylindrische Kunststofftuben - Maße und Grenzabmaße

This draft European Standard is submitted to CEN members for enquiry. It has been drawn up by the Technical Committee CEN/TC 261.

If this draft becomes a European Standard, CEN members are bound to comply with the CEN/CENELEC Internal Regulations which stipulate the conditions for giving this European Standard the status of a national standard without any alteration.

This draft European Standard was established by CEN in three official versions (English, French, German). A version in any other language made by translation under the responsibility of a CEN member into its own language and notified to the CEN-CENELEC Management Centre has the same status as the official versions.

CEN members are the national standards bodies of Austria, Belgium, Bulgaria, Croatia, Cyprus, Czech Republic, Denmark, Estonia, Finland, France, Germany, Greece, Hungary, Iceland, Ireland, Italy, Latvia, Lithuania, Luxembourg, Malta, Netherlands, Norway, Poland, Portugal, Republic of North Macedonia, Romania, Serbia, Slovakia, Slovenia, Spain, Sweden, Switzerland, Turkey and United Kingdom.

<https://standards.iteh.ai/catalog/standards/sist/c05589b3-6336-4af8-8aa9-1a6d182a14d3/osist-pr-en-13045-2021>

Recipients of this draft are invited to submit, with their comments, notification of any relevant patent rights of which they are aware and to provide supporting documentation.

Warning : This document is not a European Standard. It is distributed for review and comments. It is subject to change without notice and shall not be referred to as a European Standard.



EUROPEAN COMMITTEE FOR STANDARDIZATION
COMITÉ EUROPÉEN DE NORMALISATION
EUROPÄISCHES KOMITEE FÜR NORMUNG

CEN-CENELEC Management Centre: Rue de la Science 23, B-1040 Brussels

Contents	Page
European foreword	3
1 Scope	4
2 Normative references	4
3 Terms and definitions	4
4 Dimensions	6

iTeh STANDARD PREVIEW
(standards.iteh.ai)

[oSIST prEN 13045:2021](https://standards.iteh.ai/catalog/standards/sist/c05589b3-6336-4af8-8aa9-1a6d182a14d3/osist-pren-13045-2021)
<https://standards.iteh.ai/catalog/standards/sist/c05589b3-6336-4af8-8aa9-1a6d182a14d3/osist-pren-13045-2021>

European foreword

This document (prEN 13045:2021) has been prepared by Technical Committee CEN/TC 261 “Packaging”, the secretariat of which is held by AFNOR.

This document is currently submitted to the CEN Enquiry.

This document will supersede EN 13045:2009.

In comparison with the previous edition, the following technical modifications have been made:

- in Table 1, the length l_1 has been modified for the Nominal Diameter D : 25,40,50;
- in Clause 4 it has been specified that measures and tolerances are valid for standard materials with or without barrier layers.

iTeh STANDARD PREVIEW (standards.iteh.ai)

[oSIST prEN 13045:2021](https://standards.iteh.ai/catalog/standards/sist/c05589b3-6336-4af8-8aa9-1a6d182a14d3/osist-pren-13045-2021)

<https://standards.iteh.ai/catalog/standards/sist/c05589b3-6336-4af8-8aa9-1a6d182a14d3/osist-pren-13045-2021>

prEN 13045:2021 (E)**1 Scope**

This document specifies the diameter, length, wall thickness and shoulder geometry of cylindrical plastic flexible tubes.

It is applicable to tubes used for packing pharmaceutical, cosmetic, hygiene, food and other domestic and industrial products.

2 Normative references

The following documents are referred to in the text in such a way that some or all of their content constitutes requirements of this document. For dated references, only the edition cited applies. For undated references, the latest edition of the referenced document (including any amendments) applies.

EN 12374, *Packaging - Flexible tubes - Terminology*

3 Terms and definitions

For the purposes of this document, the terms and definitions in EN 12374 and the following apply.

ISO and IEC maintain terminological databases for use in standardization at the following addresses:

- IEC Electropedia: available at <http://www.electropedia.org/>
- ISO Online browsing platform: available at <http://www.iso.org/obp>

3.1 nominal diameter **D**

diameter d_1 of the tube measured at the shoulder

3.2 nominal length **L**

measured distance between the shoulder and the open end of the tube

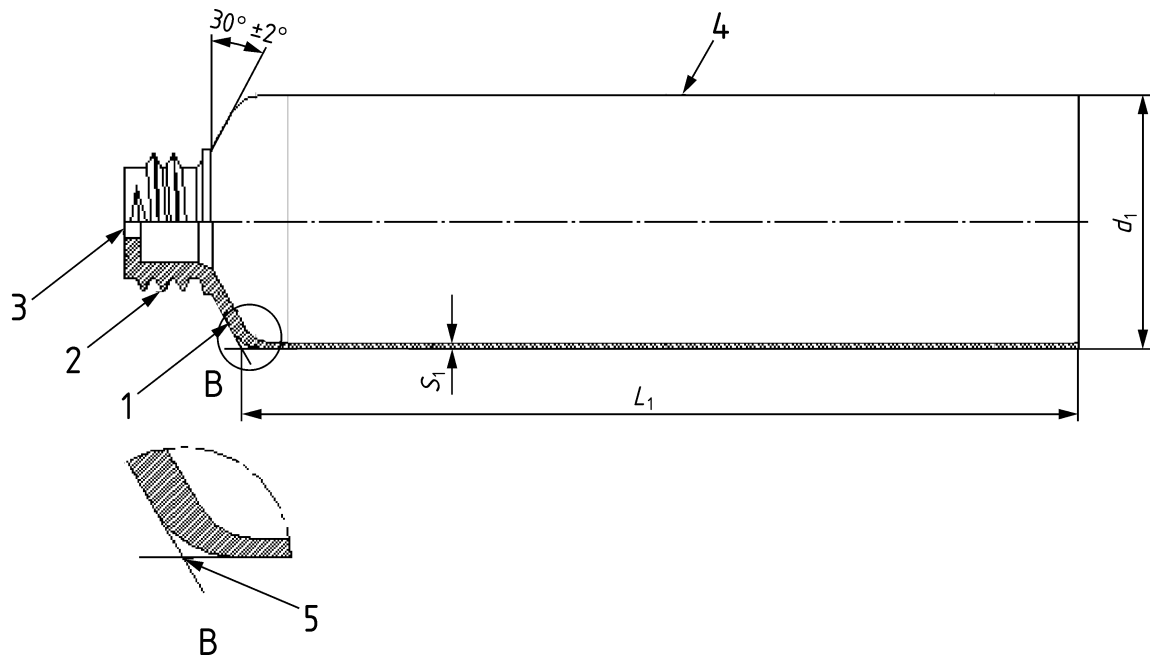
Note 1 to entry: Length l_1 shown in Figure 1.

3.3 thickness of the sleeve **S_1**

thickness of the body wall of the tube

ITeH STANDARD PREVIEW
(standards.iteh.ai)

oSIST prEN 13045:2021
<https://standards.iteh.ai/catalog/standards/sist/c05589b3-6336-4af8-8aa9-1a6d182a14d3/osist-pren-13045-2021>

**Key**

- 1 shoulder
- 2 nozzle
- 3 orifice
- 4 body (tube sleeve)
- 5 measurement point for the length of the tube body

iTeh STANDARD PREVIEW
(standards.iteh.ai)

oSIST prEN 13045:2021
Figure 1 — Cylindrical plastic tube
<https://standards.iteh.ai/catalog/standards/sist/c05589b3-6336-4af8-8aa9-1a6d182a14d3/osist-pren-13045-2021>