
**Dentistry — Coupling dimensions for
handpiece connectors**

AMENDMENT 1

*Médecine bucco-dentaire — Dimensions d'accouplement pour pièces
à main dentaires*

AMENDEMENT 1

iTeh STANDARD PREVIEW
(standards.iteh.ai)

ISO 3964:2016/Amd 1:2018

<https://standards.iteh.ai/catalog/standards/sist/637d1856-4acc-4b4e-a331-633bdd6d3c3a/iso-3964-2016-amd-1-2018>



iTeh STANDARD PREVIEW
(standards.iteh.ai)

ISO 3964:2016/Amd 1:2018

<https://standards.iteh.ai/catalog/standards/sist/637d1856-4acc-4b4e-a331-633bdd6d3c3a/iso-3964-2016-amd-1-2018>



COPYRIGHT PROTECTED DOCUMENT

© ISO 2018

All rights reserved. Unless otherwise specified, or required in the context of its implementation, no part of this publication may be reproduced or utilized otherwise in any form or by any means, electronic or mechanical, including photocopying, or posting on the internet or an intranet, without prior written permission. Permission can be requested from either ISO at the address below or ISO's member body in the country of the requester.

ISO copyright office
CP 401 • Ch. de Blandonnet 8
CH-1214 Vernier, Geneva
Phone: +41 22 749 01 11
Fax: +41 22 749 09 47
Email: copyright@iso.org
Website: www.iso.org

Published in Switzerland

Foreword

ISO (the International Organization for Standardization) is a worldwide federation of national standards bodies (ISO member bodies). The work of preparing International Standards is normally carried out through ISO technical committees. Each member body interested in a subject for which a technical committee has been established has the right to be represented on that committee. International organizations, governmental and non-governmental, in liaison with ISO, also take part in the work. ISO collaborates closely with the International Electrotechnical Commission (IEC) on all matters of electrotechnical standardization.

The procedures used to develop this document and those intended for its further maintenance are described in the ISO/IEC Directives, Part 1. In particular the different approval criteria needed for the different types of ISO documents should be noted. This document was drafted in accordance with the editorial rules of the ISO/IEC Directives, Part 2 (see www.iso.org/directives).

Attention is drawn to the possibility that some of the elements of this document may be the subject of patent rights. ISO shall not be held responsible for identifying any or all such patent rights. Details of any patent rights identified during the development of the document will be in the Introduction and/or on the ISO list of patent declarations received (see www.iso.org/patents).

Any trade name used in this document is information given for the convenience of users and does not constitute an endorsement.

For an explanation on the voluntary nature of standards, the meaning of ISO specific terms and expressions related to conformity assessment, as well as information about ISO's adherence to the World Trade Organization (WTO) principles in the Technical Barriers to Trade (TBT) see the following URL: www.iso.org/iso/foreword.html.

This document was prepared by Technical Committee ISO/TC 106, *Dentistry*, Subcommittee SC 4, *Dental instruments*.

<https://standards.iteh.ai/catalog/standards/sist/637d1856-4acc-4b4e-a331-633bdd6d3c3a/iso-3964-2016-amd-1-2018>

iTeh STANDARD PREVIEW
(standards.iteh.ai)

[ISO 3964:2016/Amd 1:2018](https://standards.iteh.ai/catalog/standards/sist/637d1856-4acc-4b4e-a331-633bdd6d3c3a/iso-3964-2016-amd-1-2018)

<https://standards.iteh.ai/catalog/standards/sist/637d1856-4acc-4b4e-a331-633bdd6d3c3a/iso-3964-2016-amd-1-2018>

Dentistry — Coupling dimensions for handpiece connectors

AMENDMENT 1

Figure 5

Replace the tolerance for dimension " $\varnothing 18,8 \begin{smallmatrix} 0 \\ -0,1 \end{smallmatrix}$ " with " $\varnothing 18,8 \pm 0,1$ "

Replace the tolerance for dimension " $\varnothing 17,8 \begin{smallmatrix} 0 \\ -0,1 \end{smallmatrix}$ " with " $\varnothing 17,8 \begin{smallmatrix} 0 \\ -1,1 \end{smallmatrix}$ ".

Replace the tolerance for dimension " $\geq 10,8$ " with " $\leq 10,8$ ".

Replace the tolerance for dimension " $\geq 7,8$ " with " $\leq 7,8$ ".

Replace the tolerance for dimension " $\leq 6,1$ " with " $\geq 6,1$ ".

Replace Figure 5 with the following Figure:

iTeh STANDARD PREVIEW
(standards.iteh.ai)

ISO 3964:2016/Amd 1:2018

<https://standards.iteh.ai/catalog/standards/sist/637d1856-4acc-4b4e-a331-633bdd6d3c3a/iso-3964-2016-amd-1-2018>

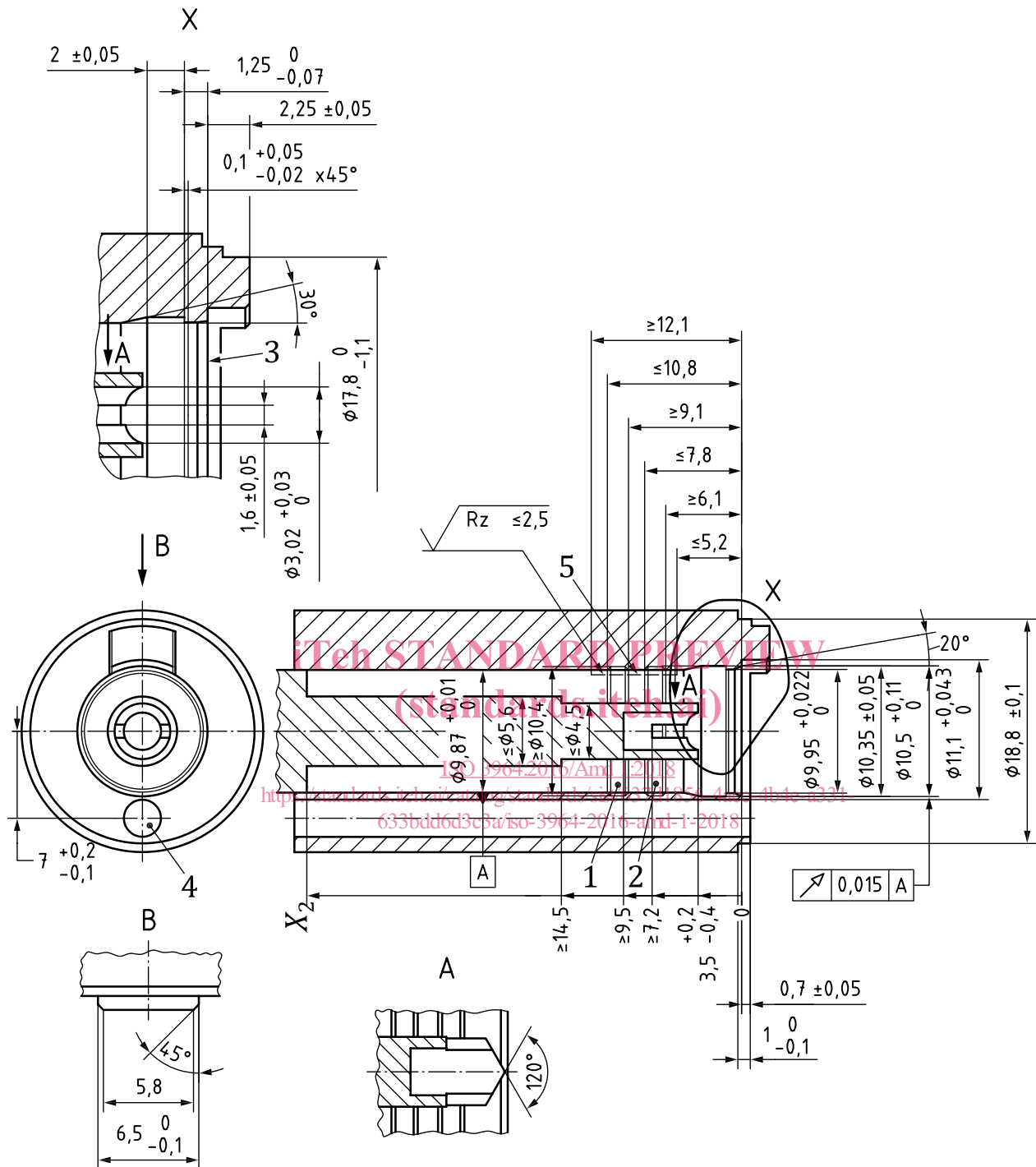


Figure 6

Correct error in the upper and lower part of drawing, left section, right side for the motor body.

Replace Figure 6 with the following Figure:

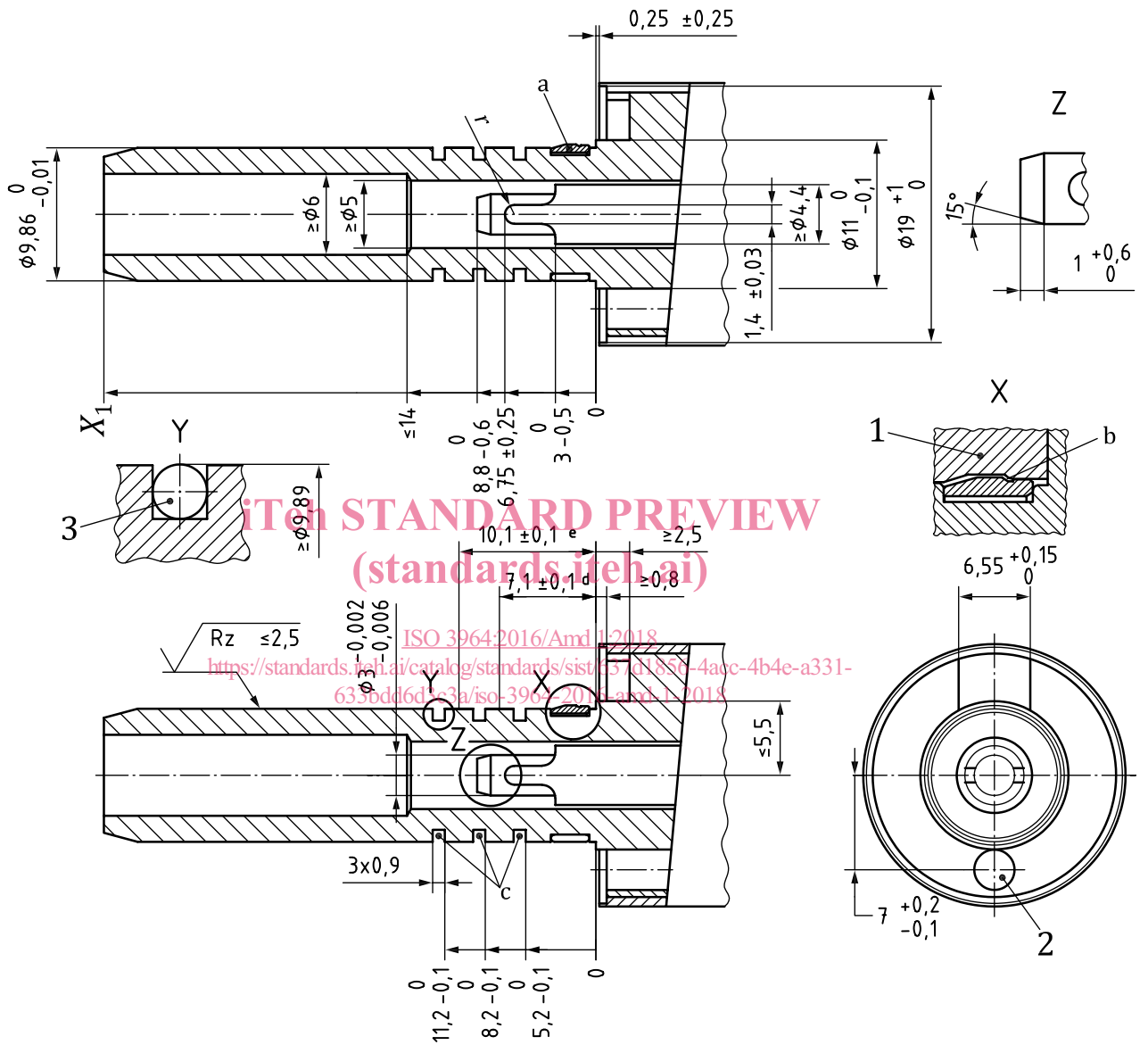


Figure 7

Replace the tolerance for dimension “ $\varnothing 18,8 \begin{smallmatrix} 0 \\ -0,1 \end{smallmatrix}$ ” with “ $\varnothing 18,8 \pm 0,1$ ”.

Replace the tolerance for dimension “ $\varnothing 17,8 \begin{smallmatrix} 0 \\ -0,1 \end{smallmatrix}$ ” with “ $\varnothing 17,8 \begin{smallmatrix} 0 \\ -1,1 \end{smallmatrix}$ ”.

Add the detail designation “X” to the top of the enlarged view (upper left side).

Replace Figure 7 with the following Figure:

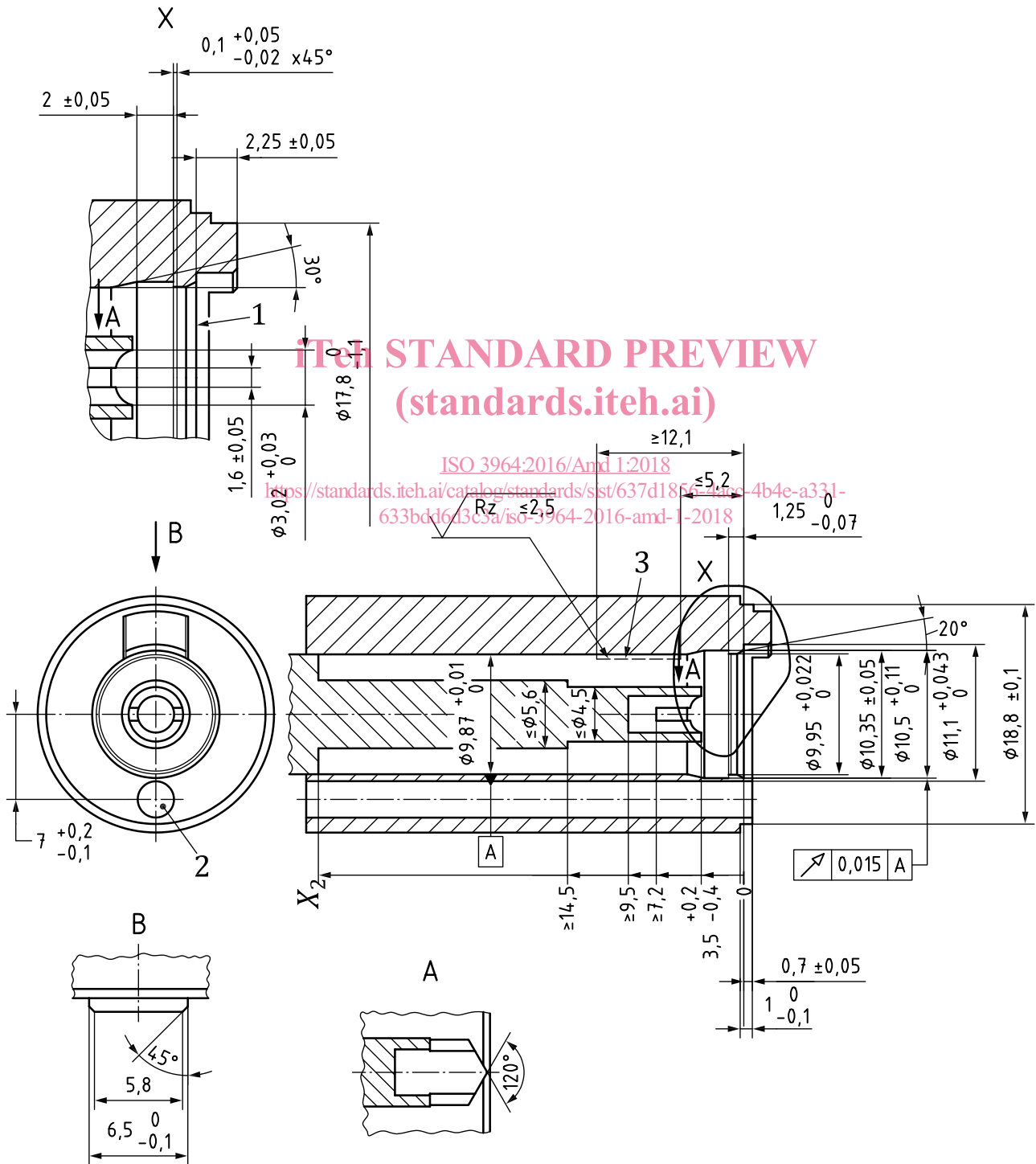


Figure 8

Replace the tolerance for dimension " $\phi 19^{+0,1}_0$ " with " $\phi 19^{+1}_0$ ".

Replace Figure 8 with the following Figure:

