
**Fasteners — Hexagon washer head
tapping screws**

Fixations — Vis à tôle à tête hexagonale à embase plate

iTeh Standards
(<https://standards.iteh.ai>)
Document Preview

[ISO 7053:2019](#)

<https://standards.iteh.ai/catalog/standards/iso/cafd5f1b-b20e-4049-80ca-c47490f02f8c/iso-7053-2019>



iTeh Standards
(<https://standards.iteh.ai>)
Document Preview

[ISO 7053:2019](https://standards.iteh.ai/catalog/standards/iso/cafd5f1b-b20e-4049-80ca-c47490f02f8c/iso-7053-2019)

<https://standards.iteh.ai/catalog/standards/iso/cafd5f1b-b20e-4049-80ca-c47490f02f8c/iso-7053-2019>



COPYRIGHT PROTECTED DOCUMENT

© ISO 2019

All rights reserved. Unless otherwise specified, or required in the context of its implementation, no part of this publication may be reproduced or utilized otherwise in any form or by any means, electronic or mechanical, including photocopying, or posting on the internet or an intranet, without prior written permission. Permission can be requested from either ISO at the address below or ISO's member body in the country of the requester.

ISO copyright office
CP 401 • Ch. de Blandonnet 8
CH-1214 Vernier, Geneva
Phone: +41 22 749 01 11
Fax: +41 22 749 09 47
Email: copyright@iso.org
Website: www.iso.org

Published in Switzerland

Contents

	Page
Foreword	iv
1 Scope	1
2 Normative references	1
3 Terms and definitions	1
4 Dimensions	1
5 Requirements and reference International Standards	3
6 Designation	4
Bibliography	5

iTeh Standards
 (<https://standards.itih.ai>)
 Document Preview

[ISO 7053:2019](https://standards.itih.ai/catalog/standards/iso/cafd5f1b-b20e-4049-80ca-c47490f02f8c/iso-7053-2019)

<https://standards.itih.ai/catalog/standards/iso/cafd5f1b-b20e-4049-80ca-c47490f02f8c/iso-7053-2019>

Foreword

ISO (the International Organization for Standardization) is a worldwide federation of national standards bodies (ISO member bodies). The work of preparing International Standards is normally carried out through ISO technical committees. Each member body interested in a subject for which a technical committee has been established has the right to be represented on that committee. International organizations, governmental and non-governmental, in liaison with ISO, also take part in the work. ISO collaborates closely with the International Electrotechnical Commission (IEC) on all matters of electrotechnical standardization.

The procedures used to develop this document and those intended for its further maintenance are described in the ISO/IEC Directives, Part 1. In particular, the different approval criteria needed for the different types of ISO documents should be noted. This document was drafted in accordance with the editorial rules of the ISO/IEC Directives, Part 2 (see www.iso.org/directives).

Attention is drawn to the possibility that some of the elements of this document may be the subject of patent rights. ISO shall not be held responsible for identifying any or all such patent rights. Details of any patent rights identified during the development of the document will be in the Introduction and/or on the ISO list of patent declarations received (see www.iso.org/patents).

Any trade name used in this document is information given for the convenience of users and does not constitute an endorsement.

For an explanation of the voluntary nature of standards, the meaning of ISO specific terms and expressions related to conformity assessment, as well as information about ISO's adherence to the World Trade Organization (WTO) principles in the Technical Barriers to Trade (TBT) see www.iso.org/iso/foreword.html.

This document was prepared by Technical Committee ISO/TC 2, *Fasteners*, Subcommittee SC 13, *Fasteners with non-metric thread*.

This third edition cancels and replaces the second edition (ISO 7053:2011), which has been technically revised.

The main changes compared to the previous edition are as follows:

- radius r changed to r_1 and values for r_1 corrected in [Table 1](#).

Any feedback or questions on this document should be directed to the user's national standards body. A complete listing of these bodies can be found at www.iso.org/members.html.

Fasteners — Hexagon washer head tapping screws

1 Scope

This document specifies the characteristics of hexagon washer head tapping screws, made of steel and stainless steel, with thread sizes ST2,2 to ST8, and with product grade A.

2 Normative references

The following documents are referred to in the text in such a way that some or all of their content constitutes requirements of this document. For dated references, only the edition cited applies. For undated references, the latest edition of the referenced document (including any amendments) applies.

ISO 1478, *Tapping screws thread*

ISO 2702, *Heat-treated steel tapping screws — Mechanical properties*

ISO 3269, *Fasteners — Acceptance inspection*

ISO 3506-4, *Mechanical properties of corrosion-resistant stainless steel fasteners — Part 4: Tapping screws*

ISO 4042, *Fasteners — Electroplated coating systems*

ISO 4759-1, *Tolerances for fasteners — Part 1: Bolts, screws, studs and nuts — Product grades A, B and C*

ISO 8992, *Fasteners — General requirements for bolts, screws, studs and nuts*

ISO 10683, *Fasteners — Non-electrolytically applied zinc flake coating systems*

3 Terms and definitions

No terms and definitions are listed in this document.

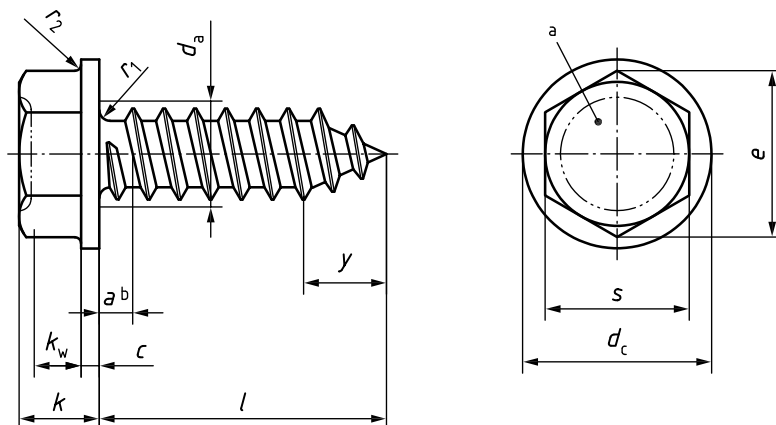
ISO and IEC maintain terminological databases for use in standardization at the following addresses:

- ISO Online browsing platform: available at <https://www.iso.org/obp>
- IEC Electropedia: available at <http://www.electropedia.org/>

4 Dimensions

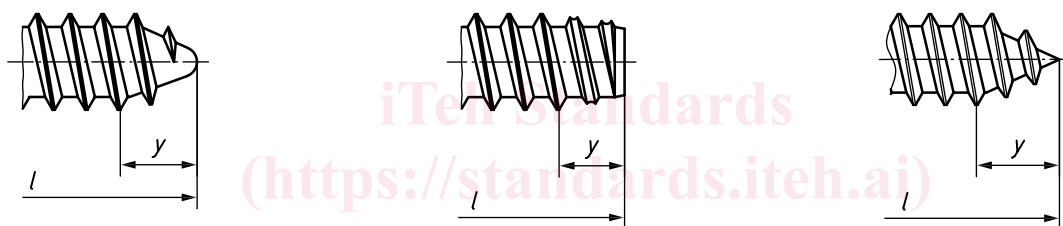
Dimensions shall be in accordance with [Figures 1](#) and [2](#) and [Table 1](#).

Symbols and descriptions of dimensions are defined in ISO 225.



- a Optional indentation.
- b Dimension a shall be measured at the core diameter of the first full thread.

Figure 1 — Hexagon washer head tapping screws



a) Type R (rounded end)

b) Type F (flat end)

c) Type C (cone end)

Figure 2 — Ends of tapping screws

<https://standards.iteh.ai/catalog/standards/iso/cafd511b-b20e-4049-80ca-c47490f02f8c/iso-7053-2019>