



SLOVENSKI STANDARD

SIST EN 1594:2024

01-julij-2024

Nadomešča:
SIST EN 1594:2013

Infrastruktura za plin - Cevovodni sistemi za najvišji delovni tlak nad 16 bar - Funkcionalne zahteve

Gas infrastructure - Pipelines for maximum operating pressure over 16 bar - Functional requirements

Gasinfrastruktur - Rohrleitungen für einen maximal zulässigen Betriebsdruck über 16 bar - Funktionale Anforderungen

Infrastructures gazières - Canalisation pour pression maximale de service supérieure à 16 bar - Prescriptions fonctionnelles

Ta slovenski standard je istoveten z: **EN 1594:2024**

<https://standards.iteh.ai/catalog/standards/sist/2bd92453-4cbd-4321-b5b4-d0ca636edeb3/sist-en-1594-2024>

ICS:

91.140.40 Sistemi za oskrbo s plinom Gas supply systems

SIST EN 1594:2024

en,fr,de

EUROPEAN STANDARD

EN 1594

NORME EUROPÉENNE

EUROPÄISCHE NORM

March 2024

ICS 23.040.01; 75.200

Supersedes EN 1594:2013

English Version

Gas infrastructure - Pipelines for maximum operating pressure over 16 bar - Functional requirements

Infrastructures gazières - Canalisation pour pression maximale de service supérieure à 16 bar - Prescriptions fonctionnelles

Gasinfrastruktur - Rohrleitungen für einen maximal zulässigen Betriebsdruck über 16 bar - Funktionale Anforderungen

This European Standard was approved by CEN on 1 October 2023.

CEN members are bound to comply with the CEN/CENELEC Internal Regulations which stipulate the conditions for giving this European Standard the status of a national standard without any alteration. Up-to-date lists and bibliographical references concerning such national standards may be obtained on application to the CEN-CENELEC Management Centre or to any CEN member.

This European Standard exists in three official versions (English, French, German). A version in any other language made by translation under the responsibility of a CEN member into its own language and notified to the CEN-CENELEC Management Centre has the same status as the official versions.

CEN members are the national standards bodies of Austria, Belgium, Bulgaria, Croatia, Cyprus, Czech Republic, Denmark, Estonia, Finland, France, Germany, Greece, Hungary, Iceland, Ireland, Italy, Latvia, Lithuania, Luxembourg, Malta, Netherlands, Norway, Poland, Portugal, Republic of North Macedonia, Romania, Serbia, Slovakia, Slovenia, Spain, Sweden, Switzerland, Türkiye and United Kingdom.

Document Preview

[SIST EN 1594:2024](https://standards.iteh.ai/catalog/standards/sist/2bd92453-4cbd-4321-b5b4-d0ca636edeb3/sist-en-1594-2024)

<https://standards.iteh.ai/catalog/standards/sist/2bd92453-4cbd-4321-b5b4-d0ca636edeb3/sist-en-1594-2024>



EUROPEAN COMMITTEE FOR STANDARDIZATION
COMITÉ EUROPÉEN DE NORMALISATION
EUROPÄISCHES KOMITEE FÜR NORMUNG

CEN-CENELEC Management Centre: Rue de la Science 23, B-1040 Brussels

Contents	Page
European foreword	6
Introduction	8
1 Scope.....	9
2 Normative references.....	11
3 Terms and definitions.....	13
4 Quality and management systems.....	18
5 Safety and the environment.....	19
5.1 General.....	19
5.2 Appropriate safety measures	19
5.3 Routing considerations.....	20
5.3.1 General.....	20
5.3.2 Surveys.....	20
5.3.3 Environmental impact	20
5.3.4 Ground conditions.....	21
5.4 Line valve spacing.....	21
6 Pressure safety	21
6.1 Pressure levels.....	21
6.2 Normal operation	22
6.3 Requirements for installation of pressure safety devices	22
6.4 Pipeline with DP equal to or less than 40 bar and hoop stress $\leq 0,45 R_{t0,5}$	23
6.5 Pipeline with DP equal to or less than 24 bar and hoop stress $\leq 0,30 R_{t0,5}$	23
7 Design.....	23
7.1 General.....	23
7.1.1 Design principles	23
7.1.2 Basis of design.....	23
7.2 Wall thickness determination.....	24
7.2.1 Straight pipe	24
7.2.2 Bends and elbows	25
7.3 Additional design requirements	25
7.3.1 Forces.....	25
7.3.2 Soil engineering data required	26
7.3.3 Structural models for pipeline sections.....	26
7.4 Analysis of stress and strain	27
7.4.1 Elastic and extended elastic design.....	27
7.4.2 Limit state design.....	28
7.5 Design report.....	29
7.6 Land management and geotechnical studies.....	30
7.7 Depth of cover	30
7.8 Casing pipes	30
7.9 Station design	31
7.9.1 Layout.....	31
7.9.2 Components.....	32
7.9.3 Interaction with onshore pipeline section	32
7.9.4 Station pipework.....	33
7.10 Pipeline components	33

7.11	Pigging suitability.....	33
7.12	Arrangements for venting, recompression and flaring.....	33
7.13	Corrosion protection.....	34
7.13.1	General.....	34
7.13.2	External coating.....	34
7.13.3	Cathodic protection.....	35
7.14	Grid connections.....	35
8	Materials and components.....	36
8.1	General.....	36
8.1.1	Base material.....	36
8.1.2	Manufacturing requirements.....	36
8.1.3	Manufacturing procedure.....	36
8.1.4	Weldability.....	36
8.1.5	Mechanical properties.....	37
8.1.6	Inspection documents.....	38
8.1.7	Other steel types or grades.....	38
8.1.8	Records.....	38
8.2	Pipes.....	38
8.3	Fittings.....	39
8.3.1	General.....	39
8.3.2	Manufacturing.....	39
8.4	Flanged connections.....	39
8.5	Insulating connections.....	39
8.5.1	Type test.....	39
8.5.2	Strength test.....	39
8.5.3	Electrical test.....	40
8.5.4	External tightness test.....	40
8.6	Valves.....	40
8.7	External and internal coatings.....	40
8.8	Welding end preparation.....	40
9	Construction.....	40
9.1	General.....	40
9.2	Execution of work.....	40
9.2.1	General.....	40
9.2.2	Marking out the site.....	40
9.2.3	Initial site inspections.....	41
9.2.4	Working strip.....	41
9.2.5	Separation of topsoil.....	41
9.2.6	Trenches.....	41
9.2.7	Crossing and proximity of buried structures (cables and pipes).....	42
9.2.8	Handling and stringing.....	42
9.2.9	Bends.....	43
9.2.10	Welding and weld examination.....	43
9.2.11	External coating.....	43
9.2.12	Lowering into the trench.....	46
9.2.13	Ballasting and anchoring.....	46
9.2.14	Tie-ins.....	46
9.2.15	Backfill.....	46
9.2.16	Reinstatement.....	47
9.2.17	Markings.....	47
9.2.18	Final site inspection with owners and users.....	47
9.3	Special crossings.....	47

EN 1594:2024 (E)

9.3.1	General.....	47
9.3.2	Open-trench road or path crossings	47
9.3.3	Trenchless crossings	48
9.3.4	Requirements for casings	51
9.3.5	Open trench major water crossings	51
9.3.6	Horizontal directional drilling.....	51
9.4	Cleaning.....	52
9.5	Testing.....	52
9.5.1	General.....	52
9.5.2	Test preparation	53
9.5.3	Strength test.....	53
9.5.4	Tightness test	53
9.5.5	Pre-testing.....	54
9.5.6	Dewatering.....	54
9.5.7	Golden welds	54
9.6	Acceptance.....	54
9.6.1	As-built documents	54
9.6.2	Pre-commissioning	54
9.6.3	Handover and documentation	55
10	Operation and maintenance	55
10.1	General.....	55
10.1.1	Policy	55
10.1.2	Safety and environment	55
10.2	Organization	55
10.3	Operating and maintenance instructions	56
10.4	Emergency plan	57
10.5	Records and documentation.....	57
10.6	Commissioning	57
10.7	Decommissioning	58
10.8	Recommissioning.....	58
10.9	Maintenance, modification, and repair.....	58
10.9.1	General.....	58
10.9.2	Pipeline surveillance, inspection and monitoring.....	58
10.9.3	Execution of repairs and modifications.....	59
10.9.4	Work involving cutting of the pipeline	59
10.9.5	Work on in-service pipelines.....	59
10.9.6	Repairs after emergency	60
10.9.7	Other and special maintenance activities.....	60
10.10	Introduction of hydrogen in existing natural gas pipelines	61
10.11	Abandonment and removal.....	61
Annex A	(normative) Requirements for fracture arrest of line pipe	62
A.1	General.....	62
A.2	CVN impact test.....	63
A.3	Drop weight tear test.....	65
A.4	Test pieces, method, and frequency for CVN and DWT tests.....	65
Annex B	(informative) Hydrogen gas pipelines	66
B.1	General.....	66
B.2	New pipelines	66

B.3	Existing pipelines	66
B.4	Other considerations.....	67
	Bibliography	68

iTeh Standards
(<https://standards.iteh.ai>)
Document Preview

[SIST EN 1594:2024](https://standards.iteh.ai/catalog/standards/sist/2bd92453-4cbd-4321-b5b4-d0ca636edeb3/sist-en-1594-2024)

<https://standards.iteh.ai/catalog/standards/sist/2bd92453-4cbd-4321-b5b4-d0ca636edeb3/sist-en-1594-2024>

EN 1594:2024 (E)**European foreword**

This document (EN 1594:2024) has been prepared by Technical Committee CEN/TC 234 “Gas infrastructure”, the secretariat of which is held by DIN.

This European Standard shall be given the status of a national standard, either by publication of an identical text or by endorsement, at the latest by September 2024, and conflicting national standards shall be withdrawn at the latest by September 2024.

Attention is drawn to the possibility that some of the elements of this document may be the subject of patent rights. CEN shall not be held responsible for identifying any or all such patent rights.

This document supersedes EN 1594:2013.

The main changes between this document and the previous edition EN 1594:2013 are as follows:

- addition of supplements with respect to available technologies, like aspects of pipeline inspection, corrosion protection, aspects of gases with low ignition energy considered such as hydrogen;
- restructuring and rephrasing of scope to improve understanding (Clause 1);
- update of references to other documents (Clause 2 and Bibliography);
- revision of terms and definitions including clarification of substance ‘gas’ (Clause 3).
- addition of arrangements for venting, recompression and flaring (Clause 7);
- adjustment of minimum impact energy values to appropriate safety values (Clause 8);
- removal of all annexes, because they were outdated and considered covered in other European standards;
- addition of new normative annex with requirements for fracture arrest of line pipe (Annex A), adopted from EN ISO 3183:2012 as they were taken out in the current edition of EN ISO 3183:2024 (published in 2019);
- addition of new informative with recommendations related to hydrogen pipelines (Annex B).

This document has been prepared under a Standardization Request given to CEN by the European Commission and the European Free Trade Association.

There is a complete suite of functional standards prepared by CEN/TC 234 “Gas infrastructure” to cover all parts of the gas infrastructure from the input of gas to the transmission system up to the inlet connection of the gas appliances, whether for domestic, commercial or industrial purposes.

Conformance to this document ensures the interoperability, safety and reliability requirements of pipeline systems.

Directive 2009/73/EC concerning common rules for the internal market in natural gas and the related Regulation (EC) No 715/2009 on conditions for access to the natural gas transmission networks also aim at technical safety (security) including technical reliability of the European gas system. These aspects and Directive (EU) 2018/2001 on the promotion of the use of energy from renewable sources are also in the scope of CEN/TC 234 standardization. In this respect, CEN/TC 234 evaluated the indicated EU legislation and amended this document accordingly, where required and appropriate.

CEN/TC 234 will continue its work updating this document to the latest developments at regular intervals.

Any feedback and questions on this document should be directed to the users' national standards body. A complete listing of these bodies can be found on the CEN website.

According to the CEN-CENELEC Internal Regulations, the national standards organisations of the following countries are bound to implement this European Standard: Austria, Belgium, Bulgaria, Croatia, Cyprus, Czech Republic, Denmark, Estonia, Finland, France, Germany, Greece, Hungary, Iceland, Ireland, Italy, Latvia, Lithuania, Luxembourg, Malta, Netherlands, Norway, Poland, Portugal, Republic of North Macedonia, Romania, Serbia, Slovakia, Slovenia, Spain, Sweden, Switzerland, Türkiye and the United Kingdom.

iTeh Standards
(<https://standards.itih.ai>)
Document Preview

[SIST EN 1594:2024](https://standards.itih.ai/catalog/standards/sist/2bd92453-4cbd-4321-b5b4-d0ca636edeb3/sist-en-1594-2024)

<https://standards.itih.ai/catalog/standards/sist/2bd92453-4cbd-4321-b5b4-d0ca636edeb3/sist-en-1594-2024>

EN 1594:2024 (E)

Introduction

This document describes the general functional requirements for gas supply through pipe systems and covers the pressure range greater than 16 bar maximum operating pressure for steel systems. It gives normative and informative references for safe and secure gas infrastructure. It applies to their design, construction, operation and the related aspects of safety, environment and public health, all in order to provide a safe and secure supply of gas.

The requirements of this document are based on safe gas engineering practice under conditions normally encountered in the gas industry. Requirements for all unusual conditions cannot be specifically provided for, nor are all engineering and construction details prescribed.

Existing industrial safety regulations applying to work areas, safety devices and safe work practices are not intended to be supplanted by this document.

Managers with responsibilities for the design, construction and operation of gas infrastructure will have regard to the guidance given in this document and to other relevant standards. It is the responsibility of these managers and engineers to apply these functional requirements, supplemented with other proven good practice to the particular circumstances of all gas infrastructures.

The designer, constructor or operator of pipeline systems is cautioned that this document is not a design handbook or code of practice. Additional national or company standards describing the details are needed. These detailed standards should be in line with the basic principles of this document.

In preparing this document it was recognized that the suite of relevant European standards is incomplete. Where appropriate, reference is made to international, national or other standards until relevant European standards are available.

In preparing this document, a basic understanding of gas supply by the user has been assumed. Gas infrastructure is complex and the importance on safety of their construction and use has led to the development of very detailed codes of practice and operating manuals in member countries. These detailed statements embrace recognized standards of gas engineering and specific requirements imposed by legal structures of these member countries.

[SIST EN 1594:2024](https://standards.iteh.ai/catalog/standards/sist/2bd92453-4cbd-4321-b5b4-d0ca636edeb3/sist-en-1594-2024)

<https://standards.iteh.ai/catalog/standards/sist/2bd92453-4cbd-4321-b5b4-d0ca636edeb3/sist-en-1594-2024>

1 Scope

This document describes the functional requirements for pipelines for maximum operating pressure over 16 bar. This document also describes the mechanical requirements for pipework in stations with a maximum operating pressure greater than 16 bar.

NOTE 1 Welding requirements are described in EN 12732. Functional requirements for stations are given in EN 1776, EN 1918-5, EN 12186, and EN 12583.

This document is applicable for transporting gas via onshore high-pressure steel pipeline infrastructures, where the following applies:

- onshore:
 - from the point where the pipeline first crosses what is normally accepted as battery limit between onshore and offshore, and that is not located within commercial or industrial premises as an integral part of the industrial process on these premises except for any pipelines and facilities supplying such premises;
 - pipeline system with a starting point onshore, also when parts of the pipeline system on the mainland subsequently cross fjords, lakes, etc.;
- high pressure: gas with a maximum operating pressure over 16 bar and a design temperature between -40 °C and 120 °C ;
- steel pipeline infrastructure: infrastructure consisting of pipeline components, such as pipes, valves, couplings and other equipment, restricted to components made of unalloyed or low alloyed carbon steel and joined by welds, flanges or mechanical couplings;
- gas: non-corrosive natural gas, biomethane gas, hydrogen gas and mixtures of these gases where technical evaluation has ensured that operating conditions or constituents or properties of the gas do not affect the safe operation of the pipeline.

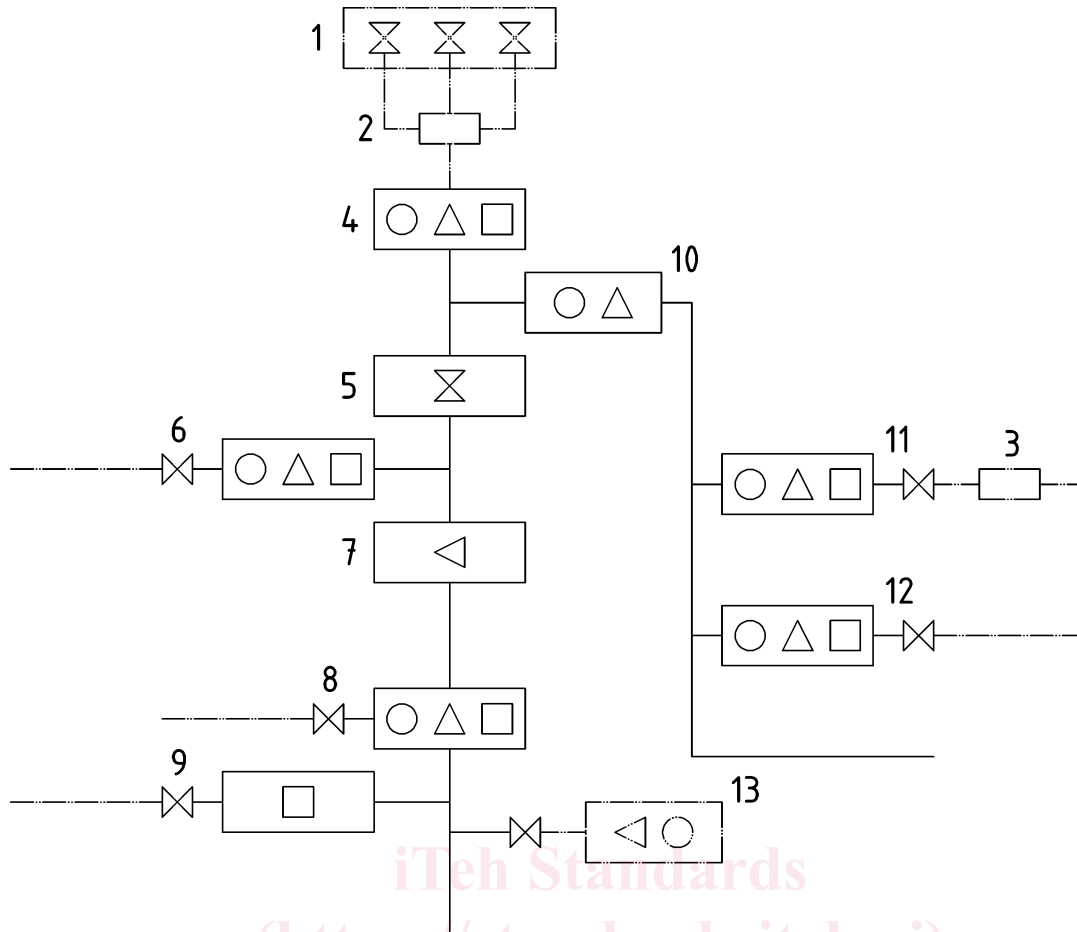
Gas infrastructures covered by this document begin after the gas producer's metering station.

NOTE 2 The functional demarcation of the pipeline system is usually directly after an isolating valve of the installation, but can differ in particular situations. The functional demarcation of the pipeline system is usually located on an isolating valve of the installation, but can differ in particular situations.

A schematic representation of pipelines for gas infrastructure is given in Figure 1.

This document can also be applied to the repurposing of existing pipelines.

EN 1594:2024 (E)



Key

Symbols



pipelines covered by this document
 pipelines not covered by this document
 pressure regulation
 pressure safety system
 metering, gas analysis and sampling system
 compression
 valve
 isolation device

Stations

1 P – well, production
 2 T – treatment
 3 D – odorization
 4 S 1 – gas receiving
 5 S 2 – valve station
 6 S 3 – delivery station
 7 S 4 – compressor station
 8 S 5 – other supply (e.g. for blending)
 9 S 6 – export or import (e.g. storage and neighbouring network)
 10 S 7 – pressure regulating
 11 S 8 – domestic distribution
 12 S 9 – industrial distribution
 13 S 10 – storage

Figure 1 — Schematic representation of pipelines for gas supply over 16 bar

This document specifies common basic principles for gas infrastructure. Users of this standard are expected to be aware that more detailed national standards and/or code of practice can exist in the CEN member countries.

This document is intended to be applied in association with these national standards and/or codes of practice setting out the above-mentioned basic principles.

In the event of conflicts in terms of more restrictive requirements in national legislation/regulation with the requirements of this standard, the national legislation/regulation takes precedence as illustrated in CEN/TR 13737.

CEN/TR 13737 gives:

- clarification of all legislations/regulations applicable in a member state;
- if appropriate, more restrictive national requirements;
- a national contact point for the latest information.

2 Normative references

The following documents are referred to in the text in such a way that some or all of their content constitutes requirements of this document. For dated references, only the edition cited applies. For undated references, the latest edition of the referenced document (including any amendments) applies.

EN 1092-1, *Flanges and their joints — Circular flanges for pipes, valves, fittings and accessories, PN designated — Part 1: Steel flanges*

EN 1514 (all parts), *Flanges and their joints — Dimensions of gaskets for PN-designated flanges*

EN 1515-2, *Flanges and their joints — Bolting — Part 2: Classification of bolt materials for steel flanges, PN designated*

EN 1515-3, *Flanges and their joints — Bolting — Part 3: Classification of bolt materials for steel flanges, class designated*

EN 1515-4, *Flanges and their joints — Bolting — Part 4: Selection of bolting for equipment subject to the Pressure Equipment Directive 2014/68/EU*

EN 1759-1, *Flanges and their joint — Circular flanges for pipes, valves, fittings and accessories, Class designated — Part 1: Steel flanges, NPS 1/2 to 24*

EN 1998-4, *Eurocode 8 — Design of structures for earthquake resistance — Part 4: Silos, tanks and pipelines*

EN 10204, *Metallic products — Types of inspection documents*

EN 10289, *Steel tubes and fittings for onshore and offshore pipelines — External liquid applied epoxy and epoxy-modified coatings*

EN 10290, *Steel tubes and fittings for onshore and offshore pipelines — External liquid applied polyurethane and polyurethane-modified coatings*

EN 12186, *Gas infrastructure — Gas pressure regulating stations for transmission and distribution — Functional requirements*

EN 12327, *Gas infrastructure — Pressure testing, commissioning and decommissioning procedures — Functional requirements*

EN 12560-1, *Flanges and their joints — Gaskets for Class-designated flanges — Part 1: Non-metallic flat gaskets with or without inserts*

EN 1594:2024 (E)

EN 12560-2, *Flanges and their joints — Dimensions of gaskets for Class-designated flanges — Part 2: Spiral wound gaskets for use with steel flanges*

EN 12560-3, *Flanges and their joints — Gaskets for Class-designated flanges — Part 3: Non-metallic PTFE envelope gaskets*

EN 12560-4, *Flanges and their joints — Gaskets for Class-designated flanges — Part 4: Corrugated, flat or grooved metallic and filled metallic gaskets for use with steel flanges*

EN 12560-5, *Flanges and their joints — Gaskets for Class-designated flanges — Part 5: Metallic ring joint gaskets for use with steel flanges*

EN 12560-6, *Flanges and their joints — Gaskets for Class-designated flanges — Part 6: Covered serrated metal gaskets for use with steel flanges*

EN 12583, *Gas Infrastructure — Compressor stations — Functional requirements*

EN 12732, *Gas infrastructure — Welding steel pipework — Functional requirements*

EN 14141, *Valves for natural gas transportation in pipelines — Performance requirements and tests*

EN ISO 3183:2019, *Petroleum and natural gas industries — Steel pipe for pipeline transportation systems (ISO 3183:2019)*

EN ISO 6892-1, *Metallic materials — Tensile testing — Part 1: Method of test at room temperature (ISO 6892-1)*

EN ISO 12944-1, *Paints and varnishes — Corrosion protection of steel structures by protective paint systems — Part 1: General introduction (ISO 12944-1)*

EN ISO 12944-2, *Paints and varnishes — Corrosion protection of steel structures by protective paint systems — Part 2: Classification of environments (ISO 12944-2)*

EN ISO 12944-3, *Paints and varnishes — Corrosion protection of steel structures by protective paint systems — Part 3: Design considerations (ISO 12944-3)*

EN ISO 12944-4, *Paints and varnishes — Corrosion protection of steel structures by protective paint systems — Part 4: Types of surface and surface preparation (ISO 12944-4)*

EN ISO 12944-5, *Paints and varnishes — Corrosion protection of steel structures by protective paint systems — Part 5: Protective paint systems (ISO 12944-5)*

EN ISO 12944-6, *Paints and varnishes — Corrosion protection of steel structures by protective paint systems — Part 6: Laboratory performance test methods (ISO 12944-6)*

EN ISO 12944-7, *Paints and varnishes — Corrosion protection of steel structures by protective paint systems — Part 7: Execution and supervision of paint work (ISO 12944-7)*

EN ISO 12944-8, *Paints and varnishes — Corrosion protection of steel structures by protective paint systems — Part 8: Development of specifications for new work and maintenance (ISO 12944-8)*

EN ISO 15741, *Paints and varnishes — Friction-reduction coatings for the interior of on- and offshore steel pipelines for non-corrosive gases (ISO 15741)*