
**Test conditions for horizontal internal
type broaching machines — Testing of
accuracy**

*Conditions de réception des machines horizontales à brocher les
intérieurs — Contrôle de l'exactitude*

iTeh Standards
(<https://standards.iteh.ai>)
Document Preview

[ISO 6480:2019](https://standards.iteh.ai/catalog/standards/iso/a11d9667-5324-4531-9cf0-3b475a2eaeba/iso-6480-2019)

<https://standards.iteh.ai/catalog/standards/iso/a11d9667-5324-4531-9cf0-3b475a2eaeba/iso-6480-2019>



iTeh Standards
(<https://standards.iteh.ai>)
Document Preview

ISO 6480:2019

<https://standards.iteh.ai/catalog/standards/iso/a11d9667-5324-4531-9cf0-3b475a2eae8a/iso-6480-2019>



COPYRIGHT PROTECTED DOCUMENT

© ISO 2019

All rights reserved. Unless otherwise specified, or required in the context of its implementation, no part of this publication may be reproduced or utilized otherwise in any form or by any means, electronic or mechanical, including photocopying, or posting on the internet or an intranet, without prior written permission. Permission can be requested from either ISO at the address below or ISO's member body in the country of the requester.

ISO copyright office
CP 401 • Ch. de Blandonnet 8
CH-1214 Vernier, Geneva
Phone: +41 22 749 01 11
Fax: +41 22 749 09 47
Email: copyright@iso.org
Website: www.iso.org

Published in Switzerland

Contents

Page

Foreword	iv
Introduction	vi
1 Scope	1
2 Normative references	1
3 Terms and definitions	1
4 Terminology and designation of axes	2
5 Preliminary remarks	2
5.1 Measurement units.....	2
5.2 Reference to the ISO 230 series.....	3
5.3 Testing sequence.....	3
5.4 Tests to be performed.....	3
5.5 Tolerances and minimum tolerance.....	3
5.6 Measuring instruments.....	3
5.7 Axes not under test.....	4
6 Geometric tests	5
7 Machining tests	16
Annex A (informative) Terms in other languages	17
Bibliography	18

iTech Standards
 (https://standards.itih.ai)
 Document Preview

ISO 6480:2019

<https://standards.itih.ai/catalog/standards/iso/a11d9667-5324-4531-9cf0-3b475a2eacba/iso-6480-2019>

Foreword

ISO (the International Organization for Standardization) is a worldwide federation of national standards bodies (ISO member bodies). The work of preparing International Standards is normally carried out through ISO technical committees. Each member body interested in a subject for which a technical committee has been established has the right to be represented on that committee. International organizations, governmental and non-governmental, in liaison with ISO, also take part in the work. ISO collaborates closely with the International Electrotechnical Commission (IEC) on all matters of electrotechnical standardization.

The procedures used to develop this document and those intended for its further maintenance are described in the ISO/IEC Directives, Part 1. In particular, the different approval criteria needed for the different types of ISO documents should be noted. This document was drafted in accordance with the editorial rules of the ISO/IEC Directives, Part 2 (see www.iso.org/directives).

Attention is drawn to the possibility that some of the elements of this document may be the subject of patent rights. ISO shall not be held responsible for identifying any or all such patent rights. Details of any patent rights identified during the development of the document will be in the Introduction and/or on the ISO list of patent declarations received (see www.iso.org/patents).

Any trade name used in this document is information given for the convenience of users and does not constitute an endorsement.

For an explanation of the voluntary nature of standards, the meaning of ISO specific terms and expressions related to conformity assessment, as well as information about ISO's adherence to the World Trade Organization (WTO) principles in the Technical Barriers to Trade (TBT) see www.iso.org/iso/foreword.html.

This document was prepared by Technical Committee ISO/TC 39, *Machine tools*, Subcommittee SC 2, *Test conditions for metal cutting machine tools*.

Any feedback or questions on this document should be directed to the user's national standards body. A complete listing of these bodies can be found at www.iso.org/members.html.

This third edition cancels and replaces the second edition (ISO 6480:1983), which has been technically revised. The main changes compared to the previous edition are as follows:

- the title has been changed;
- the document's format has been aligned with new published ISO/TC 39/SC 2 documents;
- some terms have been changed and equivalent non-formal terms in more languages have been added to [Annex A](#);
- terms and definitions related to this machine and its process have been added in [Clause 3](#);
- all diagrams have been regenerated;
- old references to ISO/R 230:1961 have been changed to ISO 230-1:2012;
- levelling test, G01, has been deleted and relevant explanations have been added to [Clause 5](#);
- sections a) and b) of test items G1 have been merged; consequently, only single tolerance is applied;
- as the term “coincidence” is no longer existing in ISO 230-1:2012, the term “radial offset of coaxiality deviation” has been used for test item G5;
- [Clause 7](#) has been created to provide considerations machining tests to be agreed between manufacturer/supplier and user;
- imperial units of measurements have been deleted and only metric units are now used.

In addition to terms given in the official ISO languages (English and French), this document gives the equivalent terms in German, Italian and Persian. These are published under the responsibility of the member bodies for Germany (DIN), Iran (ISIRI) and Italy (UNI) and are given for information only. Only the terms given in the official languages can be considered as ISO terms.

iTeh Standards
(<https://standards.iteh.ai>)
Document Preview

[ISO 6480:2019](https://standards.iteh.ai/catalog/standards/iso/a11d9667-5324-4531-9cf0-3b475a2eacba/iso-6480-2019)

<https://standards.iteh.ai/catalog/standards/iso/a11d9667-5324-4531-9cf0-3b475a2eacba/iso-6480-2019>

Introduction

The object of this document is to supply information as wide and comprehensive as possible on tests on horizontal internal type broaching machines which can be carried out for comparison, acceptance, maintenance or any other purposes.

This document also establishes the tolerances for the test results corresponding to general purpose and normal accuracy horizontal internal type broaching machines.

iTeh Standards
(<https://standards.itih.ai>)
Document Preview

[ISO 6480:2019](https://standards.itih.ai/catalog/standards/iso/all/d9667-5324-4531-9cf0-3b475a2eaeba/iso-6480-2019)

<https://standards.itih.ai/catalog/standards/iso/all/d9667-5324-4531-9cf0-3b475a2eaeba/iso-6480-2019>

Test conditions for horizontal internal type broaching machines — Testing of accuracy

1 Scope

This document specifies, with reference to ISO 230-1, the geometric tests on internal type broaching machines with horizontal Z-axis providing the main cutting motion.

It also specifies the applicable tolerances corresponding to the tests mentioned above for normal-accuracy horizontal internal type broaching machines.

This document explains concepts or configurations and common features of horizontal internal type broaching machines. It also provides related terminology and designation of axes.

It deals only with the verification of the accuracy of the machine. It does not apply to the operational testing of the machine (e.g. vibration, abnormal noise, stick-slip motion of components), nor to machine characteristics (e.g. speeds, feeds) as such checks are generally carried out before testing the accuracy.

2 Normative references

The following documents are referred to in the text in such a way that some or all of their content constitutes requirements of this document. For dated references, only the edition cited applies. For undated references, the latest edition of the referenced document (including any amendments) applies.

ISO 230-1:2012, *Test code for machine tools — Part 1: Geometric accuracy of machines operating under no-load or quasi-static conditions*

3 Terms and definitions

For the purposes of this document, the terms and definitions given in ISO 230-1 and the following apply.

ISO and IEC maintain terminological databases for use in standardization at the following addresses:

- ISO Online browsing platform: available at <https://www.iso.org/obp>
- IEC Electropedia: available at <http://www.electropedia.org/>

3.1

broach

cutting tool that has multiple transverse cutting edges each with progressively increased size

3.2

broaching machine

machine tool in which broaching operation is executed

3.3

internal broaching operation

machining process in which a broach is pushed or pulled through a hole to remove material by linear cutting

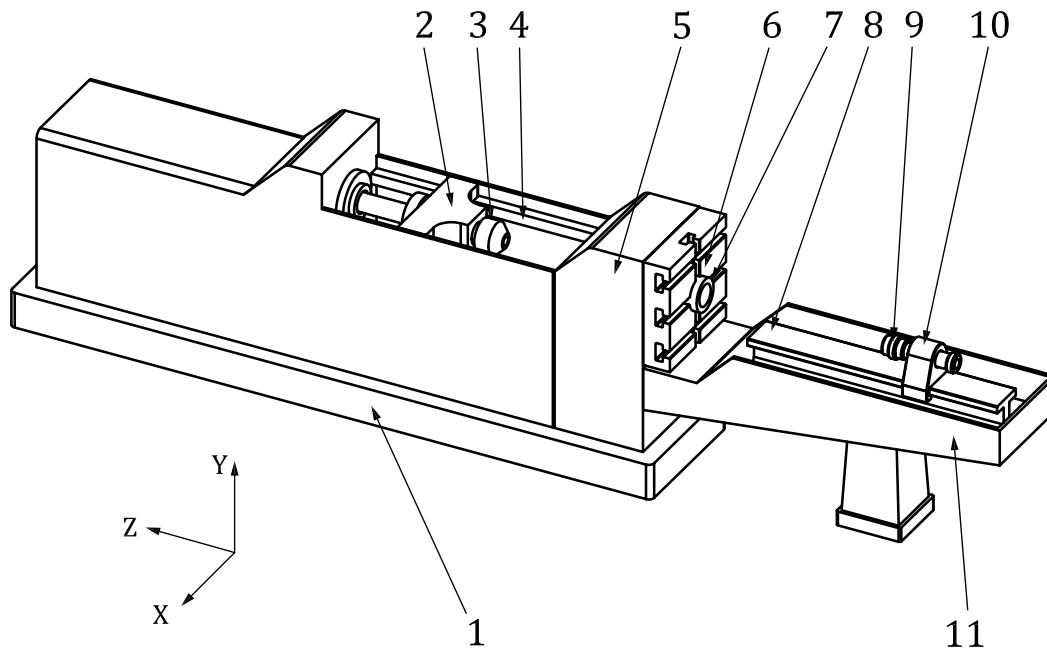
3.4

horizontal internal type broaching machine

horizontal broaching machine in which its broach is pushed or pulled through a hole inside of the workpiece to remove material. Note 1 to entry: A horizontal broaching machine is understood to be a *broaching machine* (3.2) whose main cutting axis (Z-axis) is horizontal.

4 Terminology and designation of axes

See [Figure 1](#).



Key	
English	French
1 bed	bâti
2 pull block (Z-axis)	chariot de traction (axe Z)
3 pulling chuck	tête d'accrochage avant
4 pull block ways	guidage du chariot de traction
5 supporting column	colonne de support
6 face plate	plateau de fixation
7 work support bush	support de pièce
8 retrieving support ways	guidage du chariot d'amenage et d'accompagnement
9 retrieving chuck	tête d'accrochage arrière
10 retrieving support block (W-axis)	chariot d'amenage et d'accompagnement (axe W)
11 retrieving support	support du chariot d'amenage

NOTE For languages other than official ISO languages, see [Table A.1](#).

Figure 1 — Typical example of a horizontal internal type broaching machine

5 Preliminary remarks

5.1 Measurement units

In this document all linear dimensions, deviations and corresponding tolerances are expressed in millimetres and angular dimensions are expressed in degrees. Angular deviations and the corresponding tolerances are expressed in ratios as the primary method. However, in some cases, microradians or arcseconds may be used for clarification purposes. [Formula \(1\)](#) should be used for conversion of the units of angular deviations or tolerances:

$$0,010/1\,000 = 10\ \mu\text{rad} \approx 2'' \quad (1)$$

5.2 Reference to the ISO 230 series

To apply this document, reference shall be made to ISO 230-1, especially for the installation and levelling of the machine before testing, warming up of the moving components, description of measuring methods and recommended uncertainty of testing equipment.

In the “Observations” block of the tests described in the following clauses, the instructions are followed by a reference to the corresponding clause in ISO 230-1:2012, in cases where the test concerned is in line with the specifications of ISO 230-1.

5.3 Testing sequence

The sequence in which the tests are presented in this document does not define the practical order of testing. In order to make the mounting of instruments or gauging easier, tests may be performed in any order.

5.4 Tests to be performed

Prior to conducting tests on a horizontal internal type broaching machine, the machine should be levelled according to the recommendations of the manufacturer/supplier (see ISO 230-1:2012, 6.1.2).

When testing a machine tool, it is not always necessary or possible to carry out all the tests described in this document. When the tests are required for acceptance purposes, it is up to the user to choose, in agreement with the manufacturer/supplier, those tests relating to the components and/or the properties of the machine tool which are of interest. These tests are to be clearly stated when ordering a machine tool. A mere reference to this document for the acceptance tests, without specifying the tests to be carried out, and without agreement on the relevant expenses, cannot be considered as binding for any contracting party.

5.5 Tolerances and minimum tolerance

In this document, all tolerance values (see ISO 230-1:2012, 4.1) are guidelines. When they are used for acceptance purposes other values can be agreed between the user and the manufacturer/supplier. The required/agreed tolerance values are to be clearly stated when ordering the machine.

When establishing the tolerance for a measuring length different from that given in this document (see ISO 230-1:2012, 4.1.2), it shall be taken into consideration that the minimum value of tolerance is 0,010 mm.

5.6 Measuring instruments

Measuring instruments indicated in the tests described in the following clauses are examples only. Other instruments capable of measuring the same quantities and having the same or a smaller measurement uncertainty may be used. Reference shall be made to ISO 230-1:2012, Clause 5, which indicates the relationship between measurement uncertainties and the tolerances.

When a “dial gauge” is referred to, it can mean not only dial test indicators (DTI) but any type of linear displacement sensor such as analogue or digital dial gauges, linear variable differential transformer (LVDTs), linear scale displacement gauges, or non-contact sensors, when applicable to the test concerned (see ISO 230-1:2012, Clause 4).

Similarly, when a “straightedge” is referred to, it can mean any type of straightness reference artefact, such as a granite, ceramic, steel or cast iron straightedge, one arm of a square, one generating line on a cylindrical square, any straight path on a reference cube, or a special, dedicated artefact manufactured to fit in the T-slots or other references.

In the same way, when a “square” is mentioned, it can mean any type of squareness reference artefact, such as a granite or ceramic or steel or cast-iron square, a cylindrical square, a reference cube, or, again, a special, dedicated artefact.

5.7 Axes not under test

During the execution of some geometric tests on one axis of motion, the position of the other axes, not under test, can affect the results. Therefore, the positions of these axes, as well as the offsets on the tool side and on the workpiece side, are to be recorded in the test report.

iTeh Standards
(<https://standards.iteh.ai>)
Document Preview

[ISO 6480:2019](https://standards.iteh.ai/catalog/standards/iso/a11d9667-5324-4531-9cf0-3b475a2eacba/iso-6480-2019)

<https://standards.iteh.ai/catalog/standards/iso/a11d9667-5324-4531-9cf0-3b475a2eacba/iso-6480-2019>