
**Carbonaceous materials for the
production of aluminium — Calcined
coke for electrodes — Determination
of the electrical resistivity of granules**

*Produits carbonés utilisés pour la production de l'aluminium — Coke
calciné — Détermination de la résistivité électrique granulaire*

iTeh STANDARD PREVIEW
(standards.iteh.ai)

[ISO 10143:2019](https://standards.iteh.ai/catalog/standards/sist/484b2725-2939-4854-86bf-b41a652a2eed/iso-10143-2019)

[https://standards.iteh.ai/catalog/standards/sist/484b2725-2939-4854-86bf-
b41a652a2eed/iso-10143-2019](https://standards.iteh.ai/catalog/standards/sist/484b2725-2939-4854-86bf-b41a652a2eed/iso-10143-2019)



iTeh STANDARD PREVIEW
(standards.iteh.ai)

ISO 10143:2019

<https://standards.iteh.ai/catalog/standards/sist/484b2725-2939-4854-86bf-b41a652a2eed/iso-10143-2019>



COPYRIGHT PROTECTED DOCUMENT

© ISO 2019

All rights reserved. Unless otherwise specified, or required in the context of its implementation, no part of this publication may be reproduced or utilized otherwise in any form or by any means, electronic or mechanical, including photocopying, or posting on the internet or an intranet, without prior written permission. Permission can be requested from either ISO at the address below or ISO's member body in the country of the requester.

ISO copyright office
CP 401 • Ch. de Blandonnet 8
CH-1214 Vernier, Geneva
Phone: +41 22 749 01 11
Fax: +41 22 749 09 47
Email: copyright@iso.org
Website: www.iso.org

Published in Switzerland

Contents

	Page
Foreword	iv
1 Scope	1
2 Normative references	1
3 Terms and definitions	1
4 Principle	1
5 Apparatus	1
6 Sampling and preparation	3
6.1 Sampling	3
6.2 Sample preparation calcined petroleum coke	4
6.3 Sample preparation all samples	4
7 Procedure	4
7.1 Test portion	4
7.2 Setting up the test machine	4
7.3 Determination	4
7.4 Number of determinations	4
8 Expression of results	5
9 Precision	5
9.1 Repeatability	5
9.2 Reproducibility	5
10 Test report	5

[ISO 10143:2019](https://standards.iteh.ai/catalog/standards/sist/484b2725-2939-4854-86bf-b41a652a2eed/iso-10143-2019)
<https://standards.iteh.ai/catalog/standards/sist/484b2725-2939-4854-86bf-b41a652a2eed/iso-10143-2019>

Foreword

ISO (the International Organization for Standardization) is a worldwide federation of national standards bodies (ISO member bodies). The work of preparing International Standards is normally carried out through ISO technical committees. Each member body interested in a subject for which a technical committee has been established has the right to be represented on that committee. International organizations, governmental and non-governmental, in liaison with ISO, also take part in the work. ISO collaborates closely with the International Electrotechnical Commission (IEC) on all matters of electrotechnical standardization.

The procedures used to develop this document and those intended for its further maintenance are described in the ISO/IEC Directives, Part 1. In particular, the different approval criteria needed for the different types of ISO documents should be noted. This document was drafted in accordance with the editorial rules of the ISO/IEC Directives, Part 2 (see www.iso.org/directives).

Attention is drawn to the possibility that some of the elements of this document may be the subject of patent rights. ISO shall not be held responsible for identifying any or all such patent rights. Details of any patent rights identified during the development of the document will be in the Introduction and/or on the ISO list of patent declarations received (see www.iso.org/patents).

Any trade name used in this document is information given for the convenience of users and does not constitute an endorsement.

For an explanation of the voluntary nature of standards, the meaning of ISO specific terms and expressions related to conformity assessment, as well as information about ISO's adherence to the World Trade Organization (WTO) principles in the Technical Barriers to Trade (TBT) see www.iso.org/iso/foreword.html.

This document was prepared by Technical Committee ISO/TC 226, *Materials for the production of primary aluminium*.

<https://standards.iteh.ai/catalog/standards/sist/484b2725-2939-4854-86bf-1e46523e6d14/iso-10143-2019>

This third edition cancels and replaces the second edition, ISO 10143:2014, of which it constitutes a minor revision. The main changes compared to the previous edition are as follows:

- [Clause 5](#), Apparatus, has been updated;
- [Clause 10](#), Test report, has been updated.

Any feedback or questions on this document should be directed to the user's national standards body. A complete listing of these bodies can be found at www.iso.org/members.html.

Carbonaceous materials for the production of aluminium — Calcined coke for electrodes — Determination of the electrical resistivity of granules

1 Scope

This document specifies a method for the determination of the electrical resistivity of granular carbon (calcined or graphitized) used in the manufacture of carbon electrodes for the production of aluminium.

The measurement of electrical resistivity assists in assessing the extent of coke calcination. The electrical resistivity of the coke aggregate will influence the electrical resistivity of the coke electrodes made from it.

In general, a more highly calcined coke will have a lower electrical resistivity if other factors, such as grain size, are similar.

2 Normative references

The following documents are referred to in the text in such a way that some or all of their content constitutes requirements of this document. For dated references, only the edition cited applies. For undated references, the latest edition of the referenced document (including any amendments) applies.

ISO 6375, *Carbonaceous materials for the production of aluminium — Coke for electrodes — Sampling*

ISO 6997, *Carbonaceous materials for the production of aluminium — Calcined coke — Determination of apparent oil content — Heating method*

ISO 8723, *Carbonaceous materials for the production of aluminium — Calcined coke — Determination of oil content — Method by solvent extraction*

ISO 11412, *Carbonaceous materials for the production of aluminium — Calcined coke — Determination of water content*

3 Terms and definitions

No terms and definitions are listed in this document.

ISO and IEC maintain terminological databases for use in standardization at the following addresses:

- ISO Online browsing platform: available at <https://www.iso.org/obp>
- IEC Electropedia: available at <http://www.electropedia.org/>

4 Principle

A test portion of the granular carbon is placed in a cylindrical holder which has electrical contacts at the top and bottom. A fixed pressure is applied to the test portion to ensure good electrical contact and a fixed, constant direct current is applied. The voltage drop and the height of the column of granules are measured and the electrical resistivity is calculated.

5 Apparatus

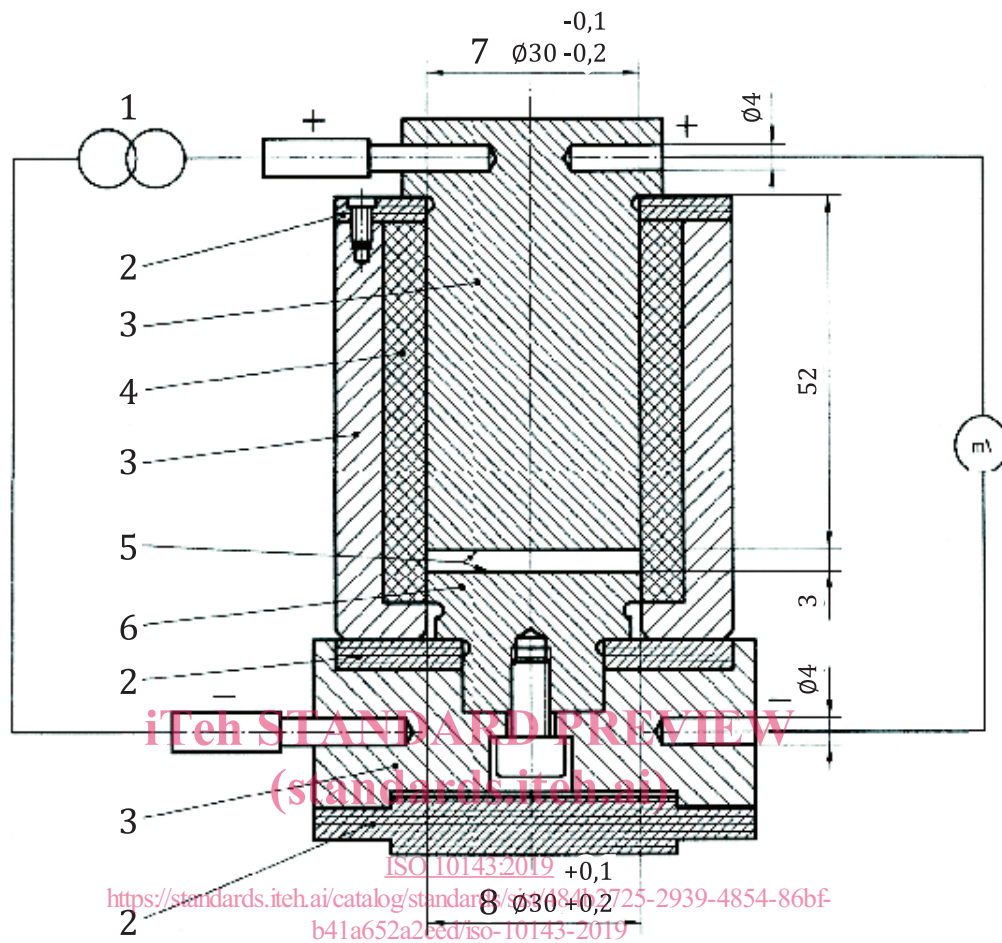
Ordinary laboratory apparatus, plus the following:

- 5.1 Sample holder and plunger**, with removable base for cleaning as shown in [Figure 1](#).
- 5.2 Length-measuring device**, capable of measuring the movement of the compression plunger to $\pm 0,1$ mm.
- 5.3 Plastic reference cylinder**, with a height of $22 \text{ mm} \pm 0,01 \text{ mm}$ and a diameter of 25 mm, used for calibrating the length-measuring device ([5.2](#)).
- 5.4 Test machine**, capable of applying a constant pressure of $3 \text{ MPa} \pm 1 \%$ to the plunger ([5.1](#)), giving a velocity to the plunger of not more than 10 mm/s, and with a centering device for the sample holder ([5.1](#)).
- 5.5 Power supply**, capable of providing a constant direct current of $1 \text{ A} \pm 0,002 \text{ A}$.
- 5.6 Voltmeter**, capable of measuring to the nearest $\pm 0,01 \text{ mV}$.
- 5.7 Oven**, capable of being maintained at $110 \text{ }^\circ\text{C}$ for 12 h.

iTeh STANDARD PREVIEW
(standards.iteh.ai)

[ISO 10143:2019](#)

<https://standards.iteh.ai/catalog/standards/sist/484b2725-2939-4854-86bf-b41a652a2eed/iso-10143-2019>



Key

- 1 power supply
- 2 Polytetrafluoroethylene (PTFE)
- 3 brass
- 4 agate
- 5 hard-chromed surfaces
- 6 stainless steel
- 7 plunger
- 8 mould

Figure 1 — Sample holder and plunger, showing electrical connections

6 Sampling and preparation

6.1 Sampling

Sample the coke in accordance with ISO 6375.

6.2 Sample preparation calcined petroleum coke

Heat the sample to $110\text{ °C} \pm 5\text{ °C}$ for 12 h, using the oven (5.7) in accordance with ISO 11412.

De-oil the sample by washing with dichloromethane in accordance with ISO 8723 or by heating in accordance with ISO 6997.

Crush all the sample material $> 1,4\text{ mm}$ in a jaw crusher with a minimum aperture of $1,5\text{ mm}$ so that all the sample material passes through the $1,4\text{ mm}$ sieve.

Sieve and collect the fraction $1,4\text{ mm}$ to $1,0\text{ mm}$ for the analysis.

6.3 Sample preparation all samples

Divide the sample, by sieving, into three fractions (I, Ila, and III) as follows:

- fraction I $> 1,0\text{ mm}$;
- fraction Ila $0,5\text{ mm}$ to $1,0\text{ mm}$;
- fraction III $< 0,5\text{ mm}$.

Crush fraction I so that it is predominantly $0,5\text{ mm}$ to $1,0\text{ mm}$ and sieve to form fraction Ilb.

Mix fractions Ila and Ilb thoroughly.

Wash the sample with dichloromethane in accordance with ISO 8723.

Heat the sample to $120\text{ °C} \pm 2\text{ °C}$ for 30 min using the oven (5.7), allow to cool in a desiccator and weigh to the nearest 1 g or better. Repeat the operations of heating, cooling and weighing until the difference between two successive weighings does not exceed 1 % of the original sample mass.

<https://standards.iteh.ai/catalog/standards/sist/484b2725-2939-4854-86bf-b41a652a2eed/iso-10143-2019>

7 Procedure

7.1 Test portion

Weigh out $15\text{ g} \pm 0,1\text{ g}$ of the mixture of fraction $1,4\text{ mm}$ to $1,0\text{ mm}$ (6.2) or of fractions Ila and Ilb (6.3).

7.2 Setting up the test machine

Place the plastic reference cylinder (5.3) in the sample holder (5.1).

Place the sample holder with plunger (5.1) in the test machine (5.4) and apply a pressure of 3 MPa. Set the length-measuring device (5.2) to the reference level of 22 mm. Connect up the electrical wires and switch on the power supply (5.5).

7.3 Determination

Pour the test portion into the sample holder, insert the plunger and place the assembly in the test machine.

Apply a pressure of 3 MPa to the test portion and after 30 s record the voltage drop and the height of the column of granules.

7.4 Number of determinations

Carry out two determinations using a fresh test portion for each determination.

Clean the base and the plunger surfaces carefully after each determination.

8 Expression of results

Calculate the electrical resistivity, ρ , expressed in microhm metres, of the calcined coke using [Formula \(1\)](#):

$$\rho = \frac{S \times U}{I \times h} \quad (1)$$

where

S is the surface area, in square millimetres, of the sample holder (707 mm² for the sample holder shown in [Figure 1](#));

U is the voltage drop, in millivolts;

I is the current applied, in amps (1 A ± 0,002 A);

h is the height, in millimetres, of the column of granules.

Express the result as the arithmetic mean of two determinations.

9 Precision¹⁾

9.1 Repeatability

The difference between the values of duplicate determinations, carried out in rapid succession by the same operator using the same apparatus on granules taken from the same test sample, shall not exceed the repeatability limit $r = 3 \%$.

9.2 Reproducibility

The difference between the values of the average of duplicate determinations obtained by two laboratories using this method for the analysis of the same laboratory sample is not expected to exceed the reproducibility limit $R = 5 \%$.

10 Test report

The test report shall include the following information:

- a) an identification of the sample;
- b) a reference to this document;
- c) the method used;
- d) the date of the test;
- e) the result(s), including a reference to the clause which explains how the results were calculated;
- f) any deviations from the procedure;
- g) any unusual features observed.

1) ISO 5725:1986, Precision of test methods — *Determination of repeatability and reproducibility for a standard test method by inter-laboratory tests* (now withdrawn), was used to obtain the precision data.