
**Optični spojni elementi in pasivne komponente - Vmesniki za optične konektorje -
20. del: Družina konektorjev tipa LC - Dopolnilo A1**

Fibre optic interconnecting devices and passive components - Fibre optic connector
interfaces - Part 20: Type LC connector family

Lichtwellenleiter - Verbindungselemente und passive Bauteile - Steckgesichter von
Lichtwellenleiter- Steckverbindern - Teil 20: Steckverbinderfamilie der Bauart LC

Dispositifs d'interconnexion et composants passifs fibroniques - Interfaces de
connecteurs pour fibres optiques - Partie 20: Famille de connecteurs de type LC

Ta slovenski standard je istoveten z: EN 61754-20:2012/prA1:2021

[SIST EN 61754-20:2012/oprA1:2022](http://standards.iteh.ai/catalog/standards/sist/60604707-1898-4e27-851a-11db3b6109c/sist-en-61754-20-2012-opra1-2022)
<http://standards.iteh.ai/catalog/standards/sist/60604707-1898-4e27-851a-11db3b6109c/sist-en-61754-20-2012-opra1-2022>

ICS:

33.180.20	Povezovalne naprave za optična vlakna	Fibre optic interconnecting devices
-----------	---------------------------------------	-------------------------------------

SIST EN 61754-20:2012/oprA1:2022 **en**

**iTeh STANDARD
PREVIEW
(standards.iteh.ai)**

[SIST EN 61754-20:2012/oprA1:2022](https://standards.iteh.ai/catalog/standards/sist/e06b4767-1898-4e27-851a-11dbe3b6109c/sist-en-61754-20-2012-opra1-2022)
<https://standards.iteh.ai/catalog/standards/sist/e06b4767-1898-4e27-851a-11dbe3b6109c/sist-en-61754-20-2012-opra1-2022>



86B/4534/CDV

COMMITTEE DRAFT FOR VOTE (CDV)

PROJECT NUMBER:

IEC 61754-20/AMD1 ED2

DATE OF CIRCULATION:

2021-11-26

CLOSING DATE FOR VOTING:

2022-02-18

SUPERSEDES DOCUMENTS:

86B/4469/CD, 86B/4509A/CC

IEC SC 86B : FIBRE OPTIC INTERCONNECTING DEVICES AND PASSIVE COMPONENTS	
SECRETARIAT: Japan	SECRETARY: Mr Shigeru Tomita
OF INTEREST TO THE FOLLOWING COMMITTEES:	PROPOSED HORIZONTAL STANDARD: <input type="checkbox"/> Other TC/SCs are requested to indicate their interest, if any, in this CDV to the secretary.
FUNCTIONS CONCERNED: <input type="checkbox"/> EMC <input type="checkbox"/> ENVIRONMENT <input type="checkbox"/> QUALITY ASSURANCE <input type="checkbox"/> SAFETY	
<input checked="" type="checkbox"/> SUBMITTED FOR CENELEC PARALLEL VOTING <input type="checkbox"/> NOT SUBMITTED FOR CENELEC PARALLEL VOTING Attention IEC-CENELEC parallel voting The attention of IEC National Committees members of CENELEC, is drawn to the fact that this Committee Draft for Vote (CDV) is submitted for parallel voting. The CENELEC members are invited to vote through the CENELEC online voting system.	

This document is still under study and subject to change. It should not be used for reference purposes.

Recipients of this document are invited to submit, with their comments, notification of any relevant patent rights of which they are aware and to provide supporting documentation.

TITLE:

Amendment 1 - Fibre optic interconnecting devices and passive components - Fibre optic connector interfaces - Part 20: Type LC connector family

PROPOSED STABILITY DATE: 2032

NOTE FROM TC/SC OFFICERS:

Copyright © 2021 International Electrotechnical Commission, IEC. All rights reserved. It is permitted to download this electronic file, to make a copy and to print out the content for the sole purpose of preparing National Committee positions. You may not copy or "mirror" the file or printed version of the document, or any part of it, for any other purpose without permission in writing from IEC.

INTERNATIONAL ELECTROTECHNICAL COMMISSION

**FIBRE OPTIC INTERCONNECTING DEVICES
AND PASSIVE COMPONENTS –
FIBRE OPTIC CONNECTOR INTERFACES –****Part 20: Type LC connector family****Amended items:**

- 1) To replace description before Table 1 in Clause 4 as shown below.
- 2) To replace Table 1, Table 2, Figure 5, Figure 8 and Figure 10 by Tables and Figures as shown below.

4 Interfaces

This standard contains the following standard interfaces:

Interface 61754-20-1: simplex plug connector interface – Physical Contact (PC)

Interface 61754-20-2: simplex adaptor interface

Interface 61754-20-3: simplex active device receptacle interface

Interface 61754-20-4: duplex plug connector interface – PC

Interface 61754-20-5: duplex adaptor interface

Interface 61754-20-6: duplex active device receptacle interface

Interface 61754-20-7: simplex plug connector interface – Angled Physical Contact (APC) 8 °

Interface 61754-20-8: duplex plug connector interface – APC 8 °

Interface 61754-20-9: simplex plug connector interface – POF 1,25 mm jacketed OD

Interface 61754-20-10: duplex plug connector interface – POF 1,25 mm jacketed OD

Interface 61754-20-11: simplex plug connector interface – POF 1 mm

Interface 61754-20-12: duplex plug connector interface – POF 1 mm

Interface 61754-20-13: simplex adaptor interface – POF 1 mm

Interface 61754-20-14: duplex adaptor interface – POF 1 mm

Interface 61754-20-15: simplex active device receptacle interface – POF 1 mm

Interface 61754-20-16: duplex active device receptacle interface – POF 1 mm

Interface 61754-20-17: quad plug interface – PC

Interface 61754-20-18: quad plug interface – APC 8 °

Interface 61754-20-19: quad adaptor interface

Interface 61754-20-20: quad active device receptacle interface

- The plug of interface IEC 61754-20-1, interface IEC 61754-20-4 and interface 61754-20-17 has a ferrule with a spherically polished endface (PC) shown in Figure 2 a).
- The plug of interface IEC 61754-20-7, interface IEC 61754-20-8 and interface 61754-20-18 has a ferrule with a spherically polished angled endface (APC) shown in Figure 2 c).
- The plug interfaces IEC 61754-20-9 through IEC 61754-20-12 have a flat smooth endface shown in Figure 2b (POF only).

- 44 • Plug interfaces IEC 61754-20-9 and IEC 61754-20-10 (POF 1,25 mm jacketed OD) have a POF
45 fibre of up to 0.750 mm in a 1,25 mm OD ferrule.
- 46 • Plug interfaces IEC 61754-20-11 and IEC 61754-20-12 is the 1 mm POF without the use of a ferrule
47 (see Table 3, Note f).
- 48 • The plug connector interfaces and associated details are given in Figures 1, 2, 3, 4, and 5 along
49 with Tables 3 and 4.
- 50 • The adaptor interfaces and associated details are given in Figures 6, 7, and, 8 along with Table 5.
- 51 • The active device receptacle interfaces and associated details are given in Figures 9, 10, and 11
52 along with Tables 6, 7, and 8.
- 53 • The intermateability between plugs, adaptors, and receptacles are given in Table 1.
- 54 • The intermateability between the different plug interfaces are given in Table 2.
- 55

56 **Table 1 – Plug to Adaptor/Receptacle Intermateability**

Plug Interfaces IEC 61754	Adaptor/ Active Device receptacle Interfaces IEC 61754									
	20-2	20-3	20-5	20-6	20-13	20-14	20-15	20-16	20-19	20-20
20-1	Mate	Mate	Mate	Mate	Not Mate	Not Mate	Not Mate	Not Mate	Mate	Mate
20-4	Not Mate	Not Mate	Mate	Mate	Not Mate	Not Mate	Not Mate	Not Mate	Mate	Mate
20-7	Mate	Not Mate	Mate	Not Mate	Not Mate	Not Mate	Not Mate	Not Mate	Mate	Not Mate
20-8	Not Mate	Not Mate	Mate	Not Mate	Not Mate	Not Mate	Not Mate	Not Mate	Mate	Not Mate
20-9	Mate	Mate	Mate	Mate	Not Mate	Not Mate	Not Mate	Not Mate	Mate	Mate
20-10	Not Mate	Not Mate	Mate	Mate	Not Mate	Not Mate	Not Mate	Not Mate	Mate	Mate
20-11	Not Mate	Not Mate	Not Mate	Not Mate	Mate	Mate	Mate	Mate	Not Mate	Not Mate
20-12	Not Mate	Not Mate	Not Mate	Not Mate	Not Mate	Mate	Not Mate	Mate	Not Mate	Not Mate
20-17	Not Mate	Not Mate	Not Mate	Not Mate	Not Mate	Not Mate	Not Mate	Not Mate	Mate	Mate
20-18	Not Mate	Not Mate	Not Mate	Not Mate	Not Mate	Not Mate	Not Mate	Not Mate	Mate	Not Mate

58

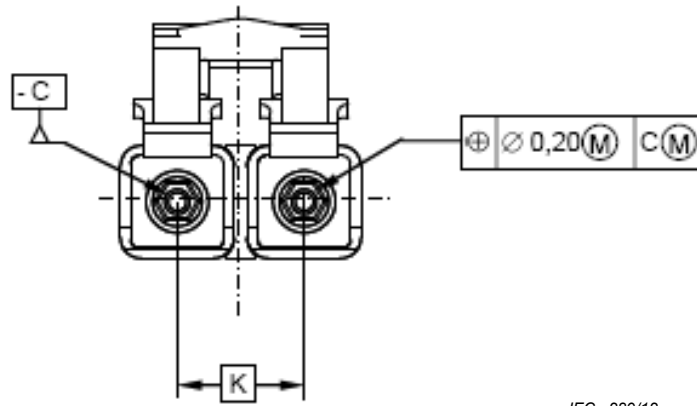
59

Table 2 – Plug to Plug Intermateability

Plug Interfaces IEC 61754	Plug Interfaces IEC 61754									
	20-1	20-4	20-7	20-8	20-9	20-10	20-11	20-12	20-17	20-18
20-1	Mate	Mate	Not Mate	Not Mate	Not Mate	Not Mate	Not Mate	Not Mate	Mate	Not Mate
20-4	Mate	Mate	Not Mate	Not Mate	Not Mate	Not Mate	Not Mate	Not Mate	Mate	Not Mate
20-7	Not Mate	Not Mate	Mate	Mate	Not Mate	Not Mate	Not Mate	Not Mate	Not Mate	Mate
20-8	Not Mate	Not Mate	Mate	Mate	Not Mate	Not Mate	Not Mate	Not Mate	Not Mate	Mate
20-9	Not Mate	Not Mate	Not Mate	Not Mate	Mate	Mate	Not Mate	Not Mate	Not Mate	Not Mate
20-10	Not Mate	Not Mate	Not Mate	Not Mate	Mate	Mate	Not Mate	Not Mate	Not Mate	Not Mate
20-11	Not Mate	Not Mate	Not Mate	Not Mate	Not Mate	Not Mate	Mate	Mate	Not Mate	Not Mate
20-12	Not Mate	Not Mate	Not Mate	Not Mate	Not Mate	Not Mate	Mate	Mate	Not Mate	Not Mate
20-17	Mate	Mate	Not Mate	Not Mate	Not Mate	Not Mate	Not Mate	Not Mate	Mate	Not Mate
20-18	Not Mate	Not Mate	Mate	Mate	Not Mate	Not Mate	Not Mate	Not Mate	Not Mate	Mate

60

oprA1-2022

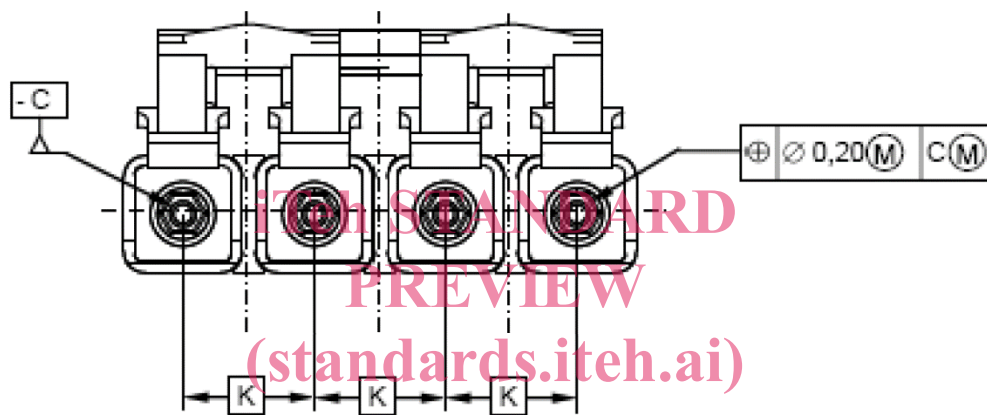


IEC 289/12

61

62

a) Duplex plug interface



63

64

65 **Key**

66 See Table 3.

67

68

69

SIST EN 61754-20:2012/oprA1:2022

b) Quad plug interface

<https://standards.iteh.ai/catalog/standards/sist/e06b4767-1898-4e27-851a-11dbe3b6109c/sist-en-61754-20-2012-oprA1-2022>

Figure 5 – Duplex and Quad plug interfaces