

ISO/FDIS 9613-2:2023(E)

ISO TC 43/SC 1

Date: 2023-09-12xx

**Acoustics — Attenuation of sound during propagation outdoors — Part 2:
Engineering method for the prediction of sound pressure levels outdoors**

*Acoustique — Atténuation du son lors de sa propagation à l'air libre — Partie 2: Méthode
d'ingénierie pour la prédiction des niveaux de pression acoustique en extérieur*

Style Definition: Heading 1: Indent: Left: 0 pt, First line: 0 pt, Tab stops: Not at 21.6 pt

Style Definition: Heading 2: Font: Bold, Tab stops: Not at 18 pt

Style Definition: Heading 3: Font: Bold

Style Definition: Heading 4: Font: Bold

Style Definition: Heading 5: Font: Bold

Style Definition: Heading 6: Font: Bold

Style Definition: ANNEX

Style Definition: AMEND Terms Heading: Font: Bold

Style Definition: AMEND Heading 1 Unnumbered: Font: Bold

Formatted: Font: Not Bold

iTeh Standards
(<https://standards.iteh.ai>)
Document Preview

[ISO/FDIS 9613-2](https://standards.iteh.ai/catalog/standards/sist/5556c1c3-f997-45d8-9bec-b47adf643c34/iso-fdis-9613-2)

<https://standards.iteh.ai/catalog/standards/sist/5556c1c3-f997-45d8-9bec-b47adf643c34/iso-fdis-9613-2>

© ISO 2023

All rights reserved. Unless otherwise specified, or required in the context of its implementation, no part of this publication may be reproduced or utilized otherwise in any form or by any means, electronic or mechanical, including photocopying, or posting on the internet or an intranet, without prior written permission. Permission can be requested from either ISO at the address below or ISO's member body in the country of the requester.

ISO copyright office

CP 401 • Ch. de Blandonnet 8

CH-1214 Vernier, Geneva

Phone: +41 22 749 01 11

Email: copyright@iso.org

Website: www.iso.org

Published in Switzerland

Commented [eXtyles1]: The reference is to a withdrawn standard which has been replaced

ISO 20344, Personal protective equipment — Test methods for footwear

Formatted: Pattern: Clear

Formatted: Pattern: Clear

iTeh Standards
(<https://standards.iteh.ai>)
Document Preview

ISO/FDIS 9613-2

<https://standards.iteh.ai/catalog/standards/sist/5556c1c3-f997-45d8-9bec-b47adf643c34/iso-fdis-9613-2>

Contents

Foreword.....	v
Introduction.....	vii
1 — Scope.....	1
2 — Normative references.....	2
3 — Terms and definitions.....	2
4 — Source description.....	4
5 — Meteorological conditions.....	6
6 — Basic formulae.....	6
7 — Calculation of the attenuation terms.....	8
7.1 — Geometric divergence (A_{div}).....	8
7.2 — Atmospheric absorption.....	9
7.3 — Ground effect (A_{gr}).....	9
7.3.1 — General method of calculation.....	9
7.3.2 — Simplified method of calculation for A-weighted sound pressure levels.....	12
7.4 — Screening (A_{bar}).....	13
7.4.1 — General method of calculation.....	13
7.4.2 — Alternative method to calculate the path length difference z with one edge or with more parallel edges.....	17
7.4.3 — Lateral diffraction around vertical edges.....	19
7.4.4 — Combining vertical and lateral diffractions and limitations.....	20
7.5 — Reflections.....	20
7.5.1 — General.....	20
7.5.2 — Single reflection at a flat surface — conditions and calculation.....	20
7.5.3 — Multi-reflection up to higher orders.....	22
7.5.4 — Reflections at cylindrical surfaces.....	22
8 — Meteorological correction (C_{met}).....	24
9 — Accuracy and limitations of the method.....	25
Annex A (informative) Additional types of attenuation (A_{misc}).....	27
A.1 — General.....	27
A.2 — Foliage (A_{fol}).....	27
A.2.1 — General.....	27

ISO/FDIS 9613-2:2023(E)

A.2.2	Simplified method	27
A.2.3	Detailed method using forestal parameters	28
A.3	Industrial sites (A_{site})	31
A.4	Housing (A_{hous})	32
Annex B (informative)	Directivity correction D_c for chimney stacks	34
B.1	Dependency of the directivity correction from parameters	34
B.2	Determination of D_c with specifically given parameters	36
B.3	Examples	37
Annex C (informative)	Meteorological correction due to the dependency of C_0 from the angular wind distribution	39
C.1	Dependency of C_0 from the angular wind distribution	39
C.2	Example of an angle dependent C_0 based on local wind statistics	40
Annex D (informative)	Calculation of sound pressure levels caused by wind turbines	44
D.1	Applicability of the calculation method for wind turbines	44
D.2	Emission values and source modelling	44
D.3	Barrier attenuation A_{bar}	44
D.4	Calculation of the ground attenuation A_{gr}	45
D.5	Correction of A_{gr} to account for concave ground profile	45
D.6	The meteorological correction C_{met}	45
D.7	About the estimated uncertainty of the method	46
	Bibliography	47
	Foreword	v
	Introduction	vii
1	Scope	1
2	Normative references	2
3	Terms and definitions	2
4	Source description	4
5	Meteorological conditions	6
6	Basic formulae	6

7	Calculation of the attenuation terms	8
7.1	Geometric divergence (A_{div})	8
7.2	Atmospheric absorption	9
7.3	Ground effect (A_{gr})	9
7.3.1	General method of calculation	9
7.3.2	Simplified method of calculation for A-weighted sound pressure levels	12
7.4	Screening (A_{bar})	13
7.4.1	General method of calculation	13
7.4.2	Alternative method to calculate the path length difference z with one edge or with more parallel edges	17
7.4.3	Lateral diffraction around vertical edges	19
7.4.4	Combining vertical and lateral diffractions and limitations	20
7.5	Reflections	20
7.5.1	General	20
7.5.2	Single reflection at a flat surface – conditions and calculation	20
7.5.3	Multi-reflection up to higher orders	22
7.5.4	Reflections at cylindrical surfaces	22
8	Meteorological correction (C_{met})	24
9	Accuracy and limitations of the method	25
Annex A (informative) Additional types of attenuation (A_{misc})		27
Annex B (informative) Directivity correction D_c for chimney stacks		34
Annex C (informative) Meteorological correction due to the dependency of C_0 from the angular wind distribution		39
Annex D (informative) Calculation of sound pressure levels caused by wind turbines		44
Bibliography		47

ISO/FDIS 9613-2

<https://standards.iteh.ai/catalog/standards/sist/5556c1c3-f997-45d8-9bec-b47adf643c34/iso-fdis-9613-2>

Foreword

ISO (the International Organization for Standardization) is a worldwide federation of national standards bodies (ISO member bodies). The work of preparing International Standards is normally carried out through ISO technical committees. Each member body interested in a subject for which a technical committee has been established has the right to be represented on that committee. International organizations, governmental and non-governmental, in liaison with ISO, also take part in the work. ISO collaborates closely with the International Electrotechnical Commission (IEC) on all matters of electrotechnical standardization.

Formatted: Adjust space between Latin and Asian text, Adjust space between Asian text and numbers

The procedures used to develop this document and those intended for its further maintenance are described in the ISO/IEC Directives, Part 1. In particular, the different approval criteria needed for the different types of ISO documents should be noted. This document was drafted in accordance with the editorial rules of the ISO/IEC Directives, Part 2 (see www.iso.org/directives).

~~Attention is drawn to the possibility that some of the elements of this document may be involved in the subject of a patent(s). ISO takes no position concerning the evidence, validity or applicability of any claimed patent rights in respect thereof. As of the date of publication of this document, ISO had not received notice of a patent(s) which may be required to implement this document. However, implementers are cautioned that this may not represent the latest information, which may be obtained from the patent database available at www.iso.org/patents. ISO shall not be held responsible for identifying any or all such patent rights. Details of any patent rights identified during the development of the document will be in the Introduction and/or on the ISO list of patent declarations received (see www.iso.org/patents).~~

Any trade name used in this document is information given for the convenience of users and does not constitute an endorsement.

For an explanation of the voluntary nature of standards, the meaning of ISO specific terms and expressions related to conformity assessment, as well as information about ISO's adherence to the World Trade Organization (WTO) principles in the Technical Barriers to Trade (TBT), see www.iso.org/iso/foreword.html.

Formatted: English (United States)

This document was prepared by Technical Committee ISO/TC 43, *Acoustics*, Subcommittee SC 1, *Noise*.

This second edition cancels and replaces the first edition (ISO 9613-2:1996), which has been technically revised.

Formatted: Pattern: Clear

Formatted: Pattern: Clear

Formatted: Pattern: Clear

Formatted: Pattern: Clear

The main changes are as follows:

- subdivision of extended sources improved (more detailed to decrease uncertainty with software implementations);
- improved classification of the source-directivity;
- improved and more detail specified in the determination of the ground factor G (projection to horizontal plane);
- integration of a correction for A_{gr} to account for the decreasing ground effect for small values of distance/height – harmonizing the General method 7.3.1 and the Simplified method 7.3.2;

Formatted: Pattern: Clear

Formatted: Pattern: Clear

ISO/FDIS 9613-2:2023(E)

- modified definition of the mean height h_m for the application of the Simplified method 7.3.2;
- integration of the strategy to calculate screening as it was developed with ISO/TR 17534-3;
- modified specification of the barrier attenuation D_z and the correction for meteorological effects K_{met} to eliminate well known shortcomings with low barriers and large source-to-receiver distances;
- inclusion of clear specifications on how to combine vertical and lateral diffraction (from ISO/TR 17534-3);
- improved specification of the minimal extension (width or height) of a reflecting surface;
- multi-reflections up to higher orders (in accordance with ISO/TR 17534-3);
- reflections at vertical cylindrical surfaces;
- additional to the simple method for the attenuation of foliage without any parameter dependencies of the old version ISO 9613-2:1996 (Annex A.2.2), a new and more detailed method including the influence of forestal parameters (Annex see A.2.3);
- the directivity correction D_c for chimney stacks (see Annex B);
- proposal for a meteorological correction derived from the local wind-climatology (see Annex C);
- calculation of sound pressure levels caused by wind turbines (see Annex D).

A list of all parts in the ISO 9613 series can be found on the ISO website.

Any feedback or questions on this document should be directed to the user's national standards body. A complete listing of these bodies can be found at www.iso.org/members.html www.iso.org/members.html.

Formatted: Pattern: Clear

Formatted: Pattern: Clear

Formatted: Pattern: Clear

Formatted: Pattern: Clear

Formatted: Pattern: Clear

Formatted: Pattern: Clear

Formatted: Pattern: Clear

Formatted: Pattern: Clear

Formatted: Pattern: Clear

Formatted: Pattern: Clear

Formatted: Pattern: Clear

Formatted: Pattern: Clear

Formatted: Pattern: Clear

Formatted: Pattern: Clear

Formatted: Pattern: Clear

Formatted: Pattern: Clear

Formatted: Pattern: Clear

Formatted: Pattern: Clear

Commented [eXtyles2]: No appendix matches the in-text citation "Annex A.2.3". Please supply the missing appendix or delete the citation.

Formatted: std_section

Formatted: Pattern: Clear

Formatted: Pattern: Clear

Formatted: Pattern: Clear

Commented [eXtyles3]: Invalid reference: "ISO 9613 series"

Formatted: Pattern: Clear

Formatted: Pattern: Clear

Formatted: Pattern: Clear

Introduction

The ISO 1996 series^{[1][2][3]} of standards specifies methods for the description of noise outdoors in community environments. Other standards specify methods for determining the sound power levels emitted by various noise sources, such as machinery and specified equipment (ISO 3740 series^[4]), or industrial plants (ISO 8297^[5]). This document is intended to bridge the gap between these two types of standards, to enable noise levels in the community to be predicted from sources of known sound emission. The method described in this document is general in the sense that it may be applied to a wide variety of noise sources and covers most of the major mechanisms of attenuation. There are, however, constraints on its use, which arise principally from the description of environmental noise in the ISO 1996 series.

This version includes the modifications developed for reasons of quality assurance if the method is implemented in software as described in ISO 17534-1^[6] and ISO/TR 17534-3^[7] and some improvements to make the applied strategy fit for broad software-based application.

iTeh Standards
(<https://standards.itih.ai>)
Document Preview

ISO/FDIS 9613-2

<https://standards.itih.ai/catalog/standards/sist/5556c1c3-f997-45d8-9bec-b47a>

Commented [eXtyles4]: Invalid reference: "ISO 1996 series"

Formatted: Pattern: Clear

Formatted: Pattern: Clear

Formatted: Pattern: Clear

Formatted: Pattern: Clear

Formatted: Pattern: Clear

Formatted: Pattern: Clear

Commented [eXtyles5]: Invalid reference: "ISO 3740 series"

Formatted: Pattern: Clear

Formatted: Pattern: Clear

Formatted: Pattern: Clear

Formatted: Pattern: Clear

Formatted: Pattern: Clear

Formatted: Pattern: Clear

Formatted: Pattern: Clear

Formatted: Pattern: Clear

Formatted: Pattern: Clear

Commented [eXtyles6]: Invalid reference: "ISO 1996 series"

Formatted: Pattern: Clear

Formatted: Pattern: Clear

Formatted: Pattern: Clear

Formatted: Pattern: Clear

Formatted: Pattern: Clear

Formatted: Pattern: Clear

Formatted: Pattern: Clear

Formatted: Pattern: Clear

Formatted: Pattern: Clear

Formatted: Pattern: Clear

Acoustics — Attenuation of sound during propagation outdoors — Part 2: General method of calculation

1 Scope

This document specifies an engineering method for calculating the attenuation of sound during propagation outdoors in order to predict the levels of environmental noise at a distance from a variety of sources. The method predicts the equivalent continuous A-weighted sound pressure level (as described in ISO 1996-series) under meteorological conditions favourable to propagation from sources of known sound emission.

These conditions are for downwind propagation or, equivalently, propagation under a well-developed moderate ground-based temperature inversion, such as commonly occurs in clear, calm nights. Inversion conditions over extended water surfaces are not covered and may result in higher sound pressure levels than predicted from this document (see e.g. References [811] and [912]).

The method also predicts a long-term average A-weighted sound pressure level as specified in ISO 1996-1 and ISO 1996-2. The long-term average A-weighted sound pressure level encompasses levels for a wide variety of meteorological conditions.

Guidance has been provided to derive a meteorological correction based on the angular wind distribution relevant for the reference or long-term time interval as specified in ISO 1996-1:2016, 3.2.1 and 3.2.4. Examples for reference time intervals are day, night, or the hour of the night with the largest value of the sound pressure level. Long-term time intervals over which the sound of a series of reference time intervals is averaged or assessed representing a significant fraction of a year (e.g. 3 months, 6 months or 1 year).

The method specified in this document consists specifically of octave band algorithms (with nominal mid-band frequencies from 63 Hz to 8 kHz) for calculating the attenuation of sound which originates from a point sound source, or an assembly of point sources. The source (or sources) may be moving or stationary. Specific terms are provided in the algorithms for the following physical effects:

- geometrical divergence;
- atmospheric absorption;
- ground effect;
- reflection from surfaces;
- screening by obstacles.

Additional information concerning propagation through foliage, industrial sites and housing is given in Annex A. The directivity of chimney-stacks to support the sound predictions for industrial sites has been included with Annex B. An example how the far-distance meteorological correction C_0 can be determined from the local wind-climatology is given in Annex C. Experiences of the last decades how to predict the sound pressure levels caused by wind turbines is summarized in Annex D.

Commented [eXtyle7]: Invalid reference: "ISO 1996-series"

Formatted: Pattern: Clear

Formatted: Pattern: Clear

Formatted: Pattern: Clear

Formatted: Pattern: Clear

Formatted: Pattern: Clear

Formatted: Pattern: Clear

Formatted: Pattern: Clear

Formatted: Pattern: Clear

Formatted: Pattern: Clear

Formatted: Pattern: Clear

Formatted: Pattern: Clear

Formatted: Pattern: Clear

Formatted: Pattern: Clear

Formatted: Pattern: Clear

Formatted: Pattern: Clear

Formatted: Pattern: Clear

Formatted: Pattern: Clear

Formatted: Pattern: Clear

Formatted: Pattern: Clear

Formatted: Pattern: Clear

Formatted: Pattern: Clear

Formatted: Pattern: Clear

Formatted: Pattern: Clear

Formatted: Pattern: Clear

ISO/FDIS 9613-2:2023(E)

The method is applicable in practice to a great variety of noise sources and environments. It is applicable, directly, or indirectly, to most situations concerning road or rail traffic, industrial noise sources, construction activities, and many other ground-based noise sources. It does not apply to sound from aircraft in flight, or to blast waves from mining, military, or similar operations.

To apply the method of this document, several parameters need to be known with respect to the geometry of the source and of the environment, the ground surface characteristics, and the source strength in terms of octave band sound power levels for directions relevant to the propagation.

If only A-weighted sound power levels of the sources are known, the attenuation terms for 500 Hz may be used to estimate the resulting attenuation.

The accuracy of the method and the limitations to its use in practice are described in Clause 9.

Formatted: Pattern: Clear

2 Normative references

The following documents are referred to in the text in such a way that some or all of their content constitutes requirements of this document. For dated references, only the edition cited applies. For undated references, the latest edition of the referenced document (including any amendments) applies.

~~ISO 9613-1:1993, Acoustics — Attenuation of sound during propagation outdoors — Part 1: Calculation of the absorption of sound by the atmosphere~~

Formatted: Pattern: Clear

Formatted: Pattern: Clear

Formatted: Pattern: Clear

Formatted: Pattern: Clear

Formatted: Pattern: Clear

3 Terms, definitions, symbols and units

3.1 Terms and definitions

For the purposes of this document, the following terms and definitions apply.

ISO and IEC maintain ~~terminological~~terminology databases for use in standardization at the following addresses:

Formatted: Adjust space between Latin and Asian text, Adjust space between Asian text and numbers

Formatted: English (United States)

Formatted: English (United States)

Formatted: Font: 12 pt, English (United States)

Commented [eXtyle8]: URL Validation failed: https://www.iso.org/obp returns an unknown connection failure. (connection error "Error 12031: ERROR_INTERNET_CONNECTION_RESET").

Formatted: English (United States)

Formatted: Adjust space between Latin and Asian text, Adjust space between Asian text and numbers, Tab stops: Not at 19.85 pt + 39.7 pt + 59.55 pt + 79.4 pt + 99.25 pt + 119.05 pt + 138.9 pt + 158.75 pt + 178.6 pt + 198.45 pt

Formatted: English (United States)

Formatted: Pattern: Clear

— ISO Online browsing platform: available at <https://www.iso.org/obp>

— IEC Electropedia: available at <https://www.electropedia.org/>

3.1.1 equivalent continuous A-weighted sound pressure level

L_{AT} sound pressure level defined by Formula (1):

$$L_{AT} = 10 \lg \left\{ \left[\left(\frac{1}{T} \right) \int_0^T p_A^2(t) dt \right] / p_0^2 \right\} \text{ dB (1)}$$

where

$p_A(t)$ is the instantaneous A-weighted sound pressure, expressed in ~~pascals~~Pascals;

p_0 is the reference sound pressure (= 20×10^{-6} Pa);

T is a specified time interval, expressed in seconds.

Note 1 to entry: The A-frequency weighting is that specified for sound level metres in IEC 61672-1.

Commented [eXtyle9]: Not found: "IEC 61672-1"

Formatted: Pattern: Clear

Formatted: Pattern: Clear

Formatted: Pattern: Clear

Note 2 to entry: The time interval T should be long enough to average the effects of varying meteorological parameters. Two different situations are considered in this part of ISO 9613 document, namely short-term downwind and long-term overall averages.

3.1.2 equivalent continuous downwind octave band sound pressure level

L_{fT} (DW) sound pressure level is given as follows:

$$L_{fT} (DW) = 10 \lg \left\{ \left[\left(\frac{1}{T} \right) \int_0^T p_f^2(t) dt \right] / p_0^2 \right\} \text{ dB} \quad (2)$$

where $p_f(t)$ is the instantaneous octave band sound pressure downwind, in pascals, and the subscript f represents a nominal mid-band frequency of an octave band filter.

Note 1 to entry: The electrical characteristics of the octave band filters should comply at least with the class 2 requirements of IEC 61260-1.

3.1.3 insertion loss (of a barrier)

difference between the sound pressure levels in decibels at a receiver in a specified position under two conditions:

- a) with the barrier removed; and
- b) with the barrier present (inserted);

and no other significant changes that affect the propagation of sound

Note 1 to entry: The insertion loss is expressed in decibels.

3.2 Symbols and units

Table 1 provides a summary of symbols and units.

Table 1 — Symbols and units

Symbol	Definition	Unit
a	component distance parallel to the barrier edge between source and receiver	m
A	octave band attenuation	dB
A_{atm}	attenuation due to atmospheric absorption	dB
A_{bar}	attenuation due to barriers	dB
A_{div}	attenuation due to geometrical divergence	dB
A_{curv}	attenuation due to reflection at a cylindrical surface	dB
A_{gr}	attenuation due to the ground effect	dB
A_{misc}	attenuation due to miscellaneous other effects	dB
C_{met}	meteorological correction	dB

Commented [eXtyles10]: The term " L_{fT} (DW)" has not been used anywhere in this document

Commented [eXtyles11]: Not found: "IEC 61260-1"

Formatted: Pattern: Clear

Formatted: Pattern: Clear

Formatted: Pattern: Clear

Commented [eXtyles12]: The term "insertion loss (of a barrier)" has not been used anywhere in this document

Formatted: Pattern: Clear

ISO/FDIS 9613-2:2023(E)

Symbol	Definition	Unit
C_0	factor, which depends on local meteorological statistics for wind speed and direction, and temperature gradients	dB
d_p	distance from point source to receiver projected onto the ground plane (see Figure 3)	m
$d_{S,O}$	distance between source and point of reflection on the reflecting obstacle (see Figure 13)	m
$d_{O,R}$	distance between point of reflection on the reflecting obstacle and receiver (see Figure 13)	m
D_c	directivity correction	dB
D_z	barrier attenuation	dB
D_{wd}	apparent large-distance directivity	dB
e	distance between the first and last diffraction edge	m
G	ground factor	-
h_S	height of point source above ground	m
h_R	height of receiver above ground	m
h_m	mean height of the propagation path above the ground	m
k	raster factor	-
K_{geo}	correction factor for geometry	-
L_p	sound pressure level	dB
$L_{AT}(DW)$	equivalent continuous A-weighted downwind sound pressure level	dB
$L_{AT}(LT)$	long-term average A-weighted sound pressure level	dB
$L_{fT}(DW)$	equivalent continuous downwind octave band sound pressure level at a receiver location	dB
L_W	sound power level	dB
α_{atm}	atmospheric attenuation coefficient	dB/km
α	absorption coefficient	-
β	angle of incidence	rad
β_b	angle of incidence projected to the horizontal plane	rad
β_h	angle of incidence projected to a vertical plane rectangular to the reflecting surface	rad
λ	wavelength of sound	m

Formatted: Pattern: Clear

Formatted: Pattern: Clear

Formatted: Pattern: Clear

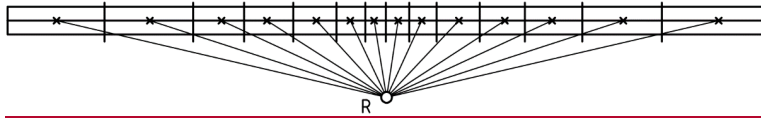
4 Source description

Formulae to be used are for the attenuation of sound from point sources.

Extended noise sources, therefore, such as road and rail traffic or an industrial site (which may include several installations or plants, together with traffic moving on the site) shall be broken down into small sections that can be replaced by a central point source as starting point for the calculation of sound propagation, see Figure 1. This subdivision shall be chosen in such a way that the propagation conditions from each point of a section to the receiver can be considered representative. If no acoustically opaque objects block the direct path between any point of a section and the receiver, the propagation conditions shall be considered representative if no extent of the section is larger than the distance of its centre from the receiver multiplied by the raster factor k . A well proven value for the factor k is 0,5.

Formatted: Pattern: Clear

9613_2_ed2fig1.EPS

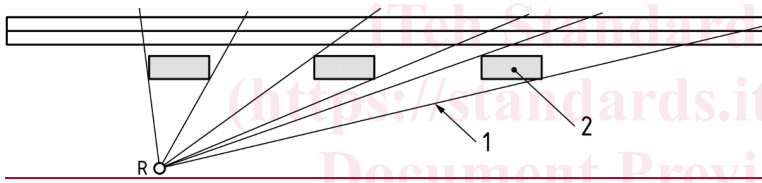


Key
R receiver

Figure 1 — Principle of subdivision for a line source

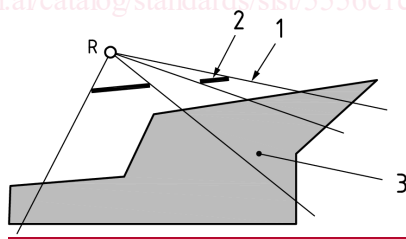
If buildings, barriers or other screening objects are located between the extended source and the receiver, the subdivision of the source is made in such a way that all points of a section are either screened or not screened. The subsections can be separated by lines connecting the receiver with the edges of all facades or with the two edges of each object forming the largest possible angle between them in 2D top view.

9613_2_ed2fig2a.EPS



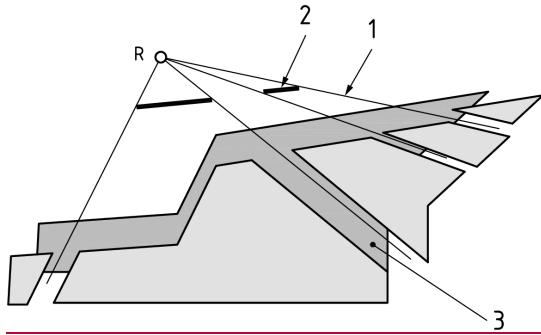
a) Line source

9613_2_ed2fig2b.EPS



b) Area-source

9613_2_ed2fig2c.EPS



c)- Area-source, partitioned in 5 sub-parts

Key

- 1 projection lines
- 2 barriers
- 3 area source

Figure 2 — Projection method for line source and area-source

The principle is shown with Figure 2 a) for a line source and Figures 2 b) and 2 c) for an area source. A further subdivision is made if a sloping edge of a screening object is only partially blocking the direct view. This subdivision caused by screening objects is called "projection method".

For line sources that are geometrically defined by successive polygon points the subdivision is performed in three steps:

- a) each polygon point is the edge point of one or two polygon elements;
- b) if the direct propagation path is blocked by a screening object, a further subdivision is carried out by applying the projection method;
- c) finally, these resulting parts are further subdivided according to the distance criterion applying the raster factor k .

Area sources are subdivided applying a similar strategy.

The area source is separated in convex shaped parts. These parts are subdivided further depending on the receiver position and all screening objects (walls, buildings, and other objects). This is carried out by cutting the subsections obtained in the first step by straight lines between receiver and edge-points of all screening objects (producing smaller subsections of second order). Then it is checked if the individual sources of each subsection meet the distance criterion. If not, they are subdivided further till the distance criterion is fulfilled.

Similar as with extended sources, a group of point sources may be described by an equivalent point sound source situated in the middle of the group, in particular if

- a) the sources have approximately the same strength and height above the local ground, and
- b) the same propagation conditions exist from the sources to the receiver, and

Formatted: Pattern: Clear
 Formatted: Pattern: Clear
 Formatted: Pattern: Clear