



# SLOVENSKI STANDARD

## SIST ISO 2492:1996

01-april-1996

---

### Ploske zagozde, zagozde z brado in utori za zagozde

Thin taper keys with or without gib head and their corresponding keyways (Dimensions in millimetres)

Clavetage par clavettes inclinées minces, avec ou sans talon (Dimensions en millimètres)

iTeh STANDARD PREVIEW  
(standards.iteh.ai)

Ta slovenski standard je istoveten z: <sup>SIST ISO 2492:1996</sup> **ISO 2492:1974**  
<https://standards.iteh.ai/catalog/standards/sist/a45d8b81-70e4-4aae-87d9-778061acd9c/sist-iso-2492-1996>

---

#### ICS:

21.120.30      Mozniki, utori za moznike,      Keys and keyways, splines  
razcepke

**SIST ISO 2492:1996**

**en**

**iTeh STANDARD PREVIEW**  
**(standards.iteh.ai)**

SIST ISO 2492:1996

<https://standards.iteh.ai/catalog/standards/sist/a43d8b81-70e4-4aae-87d9-778061acd9c/sist-iso-2492-1996>

---

# INTERNATIONAL STANDARD



# 2492

---

INTERNATIONAL ORGANIZATION FOR STANDARDIZATION • МЕЖДУНАРОДНАЯ ОРГАНИЗАЦИЯ ПО СТАНДАРТИЗАЦИИ • ORGANISATION INTERNATIONALE DE NORMALISATION

---

## Thin taper keys with or without gib head and their corresponding keyways (Dimensions in millimetres)

*Clavetage par clavettes inclinées minces, avec ou sans talon (Dimensions en millimètres)*

First edition — 1974-08-15

**iTeh STANDARD PREVIEW**  
**(standards.iteh.ai)**

[SIST ISO 2492:1996](https://standards.iteh.ai/catalog/standards/sist/a43d8b81-70e4-4aae-87d9-778061acd9c/sist-iso-2492-1996)

<https://standards.iteh.ai/catalog/standards/sist/a43d8b81-70e4-4aae-87d9-778061acd9c/sist-iso-2492-1996>

---

UDC 621.886.6 : 621.824.44

Ref. No. ISO 2492-1974 (E)

**Descriptors** : fasteners, cotter pins, dimensions, specifications.

**FOREWORD**

ISO (the International Organization for Standardization) is a worldwide federation of national standards institutes (ISO Member Bodies). The work of developing International Standards is carried out through ISO Technical Committees. Every Member Body interested in a subject for which a Technical Committee has been set up has the right to be represented on that Committee. International organizations, governmental and non-governmental, in liaison with ISO, also take part in the work.

Draft International Standards adopted by the Technical Committees are circulated to the Member Bodies for approval before their acceptance as International Standards by the ISO Council.

International Standard ISO 2492 was drawn up by Technical Committee ISO/TC 16, *Keys and keyways*, and circulated to the Member Bodies in August 1971.

It has been approved by the Member Bodies of the following countries :

Austria	India	Spain
Belgium	Japan	Sweden
Canada	Netherlands	Switzerland
Czechoslovakia	New Zealand	United Kingdom
Egypt, Arab Rep. of	Norway	U.S.S.R.
France	Romania	
Germany	South Africa, Rep. of	

No Member Body expressed disapproval of the document.

# Thin taper keys with or without gib head and their corresponding keyways (Dimensions in millimetres)

## iTeh STANDARD PREVIEW (standards.iteh.ai)

### 1 SCOPE

[SIST ISO 2492:1996](#)

<https://standards.iteh.ai/catalog/standards/sist/a43d8b81-70e4-4aae-87d9-7360fae19c87/iso-2492-1974>

This International Standard specifies the dimensional characteristics of thin taper keys with or without gib head and of their corresponding flat or keyway in shaft and hub.

It also specifies the material of these keys and gives the relation which should be observed between the diameter of shaft and the section of key.

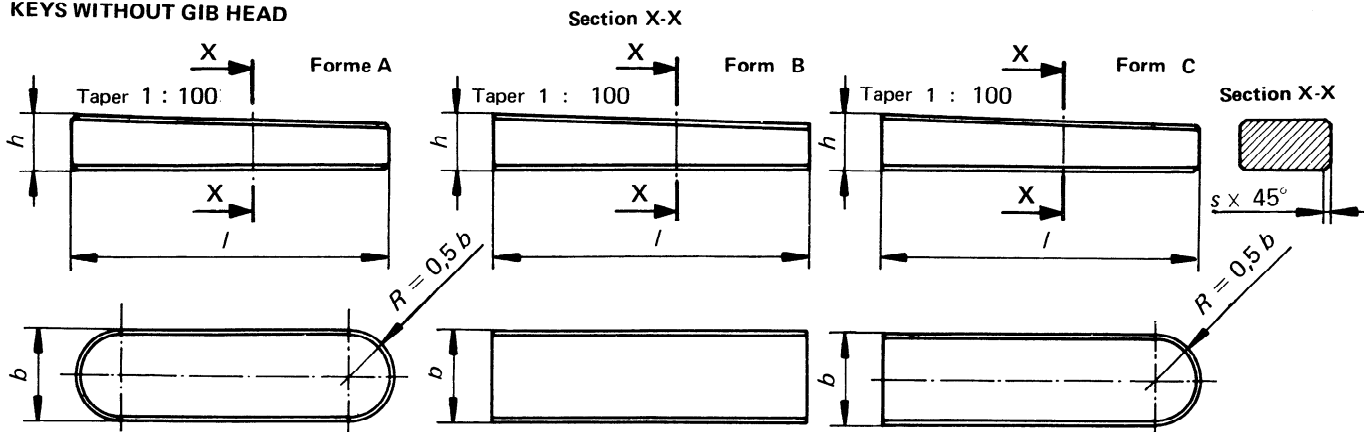
### 2 FIELD OF APPLICATION

This International Standard is of general application for cylindrical shaft ends. It is recommended that the values given be adhered to even for special applications.

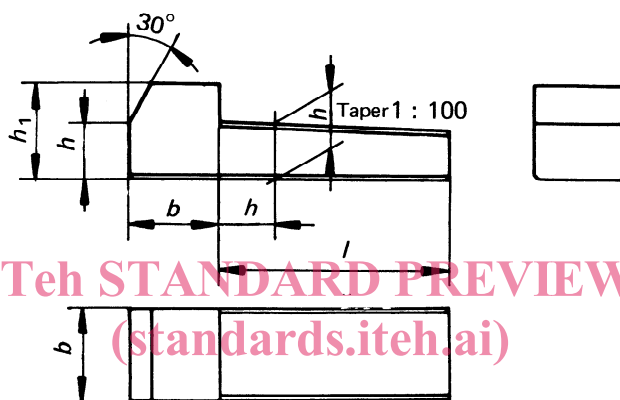
This kind of key is suitable for special applications, for example for keying in thin walls. For normal cases and when required because of the forces to be transmitted, the normal taper keys and corresponding keyways in accordance with ISO/R 774 are to be used.

3 SHAPES, DIMENSIONS AND TOLERANCES OF KEYS

KEYS WITHOUT GIB HEAD



KEY WITH GIB HEAD



iTeh STANDARD PREVIEW  
(standards.iteh.ai)

SIST ISO 2492:1996

Values in millimetres

Width <i>b</i>		Thickness <i>h</i>		Chamfer <sup>1)</sup> <i>s</i>		Length <sup>2)</sup> <i>l</i>		Gib head <i>h<sub>1</sub></i>
nominal	tolerance h9 3)	nominal	tolerance h11 3)	min.	max.	Range		nom.
						from	to	
8	0	5		0,25	0,40	20	70	8
10	-0,036	6	0	0,40	0,60	25	90	10
12		6	-0,075	0,40	0,60	32	125	10
14	0	6		0,40	0,60	36	140	10
16	-0,043	7		0,40	0,60	45	180	11
18		7		0,40	0,60	50	200	11
20		8	0	0,60	0,80	56	220	12
22	0	9	-0,090	0,60	0,80	63	250	14
25	-0,052	9		0,60	0,80	70	280	14
28		10		0,60	0,80	80	320	16
32		11		0,60	0,80	90	360	18
36		12		1,00	1,20	100	400	20
40	0	14	0	1,00	1,20	125	400	22
45	-0,062	16	-0,110	1,00	1,20	140	400	25
50		18		1,00	1,20	160	400	28

- 1) Only the longitudinal edges and those of the rounded ends shall be chamfered; the other edges shall be merely broken.
- 2) Lengths of the keys : 20, 22, 25, 28, 32, 36, 40, 45, 50, 56, 63, 70, 80, 90, 100, 110, 125, 140, 160, 180, 200, 220, 250, 280, 320, 360 and 400.
- 3) The tolerances h9 and h11 apply only to the dimensions of the section of the key.

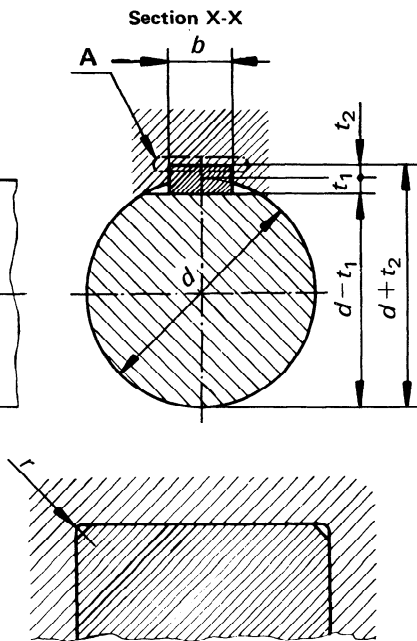
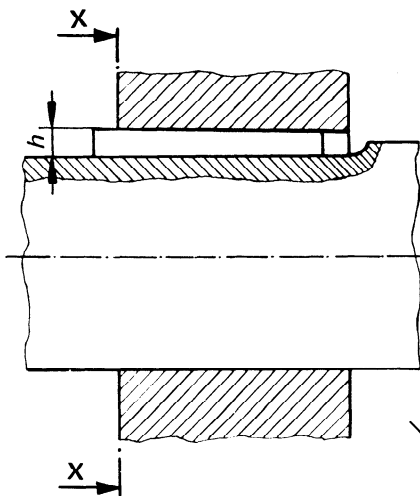
4 MATERIAL

Steel having a tensile strength of not less than 590 N/mm<sup>2</sup> (60 kgf/mm<sup>2</sup>) in the finished condition, unless another specification is agreed between the interested parties.

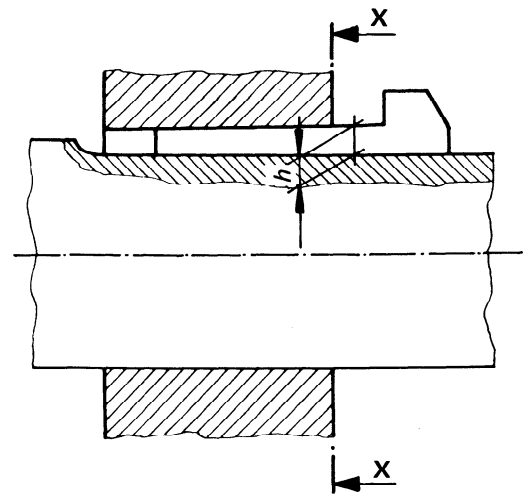
NOTE – The mechanical properties of the steel will be completed later.

## 5 DIMENSIONS AND TOLERANCES OF THE FLAT AND OF THE KEYWAY

## KEY WITHOUT GIB HEAD



## KEY WITH GIB HEAD



iTeh STANDARD PREVIEW  
(standards.iteh.ai)

Values in millimetres

Shaft		Key <sup>1)</sup> Section $b \times h$	Keyway (hub)						Flat <sup>3)</sup> (shaft)	
Diameter $d$			Width $b$	Depth <sup>2)</sup> $t_2$		Radius $r$		Height <sup>2)</sup> $t_1$		
over	to			nom.	tol. D10	nom.	tol.	max.	min.	nom.
22	30	8 × 5	8	+ 0,098	1,7		0,25	0,16	3	
30	38	10 × 6	10	+ 0,040	2,2	+ 0,1 0	0,40	0,25	3,5	+ 0,1 0
38	44	12 × 6	12		2,2		0,40	0,25	3,5	
44	50	14 × 6	14	+ 0,120	2,2		0,40	0,25	3,5	
50	58	16 × 7	16	+ 0,050	2,4		0,40	0,25	4	
58	65	18 × 7	18		2,4		0,40	0,25	4	
65	75	20 × 8	20		2,4		0,60	0,40	5	
75	85	22 × 9	22	+ 0,149	2,9		0,60	0,40	5,5	
85	95	25 × 9	25	+ 0,065	2,9	+ 0,2 0	0,60	0,40	5,5	+ 0,2 0
95	110	28 × 10	28		3,4		0,60	0,40	6	
110	130	32 × 11	32		3,4		0,60	0,40	7	
130	150	36 × 12	36		3,9		1,00	0,70	7,5	
150	170	40 × 14	40	+ 0,180	4,4		1,00	0,70	9	
170	200	45 × 16	45	+ 0,080	5,4		1,00	0,70	10	
200	230	50 × 18	50		6,4		1,00	0,70	11	

1) The relation between the diameter of the shaft and the section of the key must be strictly respected.

2) The depth of the keyway in the hub and the height of the flat on the shaft should be obtained by direct measurement or by measuring the dimensions  $(d-t_1)$  and  $(d+t_2)$ . The tolerances applicable to  $t_1$  and  $t_2$  apply to these two composite dimensions  $(d-t_1)$  and  $(d+t_2)$ , but the sign for the tolerance given in table 2 for  $t_1$  has to be reversed. Keyway depths should not be measured from the side corner. The tolerance on  $t_1$  and  $t_2$  is approximately equal to the tolerance k12 which would be obtained by adopting the thickness  $h$  of the key as nominal size.

The depth  $t_2$  shall be measured at the end of the hub, at the side where the key enters.

3) Subject to agreement between customer and manufacturer, the flat on the shaft may be replaced by a keyway with the same width (including tolerances) as that of the keyway in the hub and with a depth equal (including tolerances) to the height of the flat.

NOTE — The assembly of a taper key requires the taper of the key to be fitted. The dimensions and tolerances given above have been determined in such a way as to permit this in every case.