
Identification cards — Transport layer topologies — Configuration for HCI/ HCP interchange

*Cartes d'identification — Topologies de la couche transport —
Configuration pour les échanges HCI/HCP*

iTeh Standards
(<https://standards.iteh.ai>)
Document Preview

[ISO/IEC TS 22924:2021](https://standards.iteh.ai/catalog/standards/iso/39e14727-d494-48d4-99ee-662253d1ca10/iso-iec-ts-22924-2021)

<https://standards.iteh.ai/catalog/standards/iso/39e14727-d494-48d4-99ee-662253d1ca10/iso-iec-ts-22924-2021>



iTeh Standards
(<https://standards.iteh.ai>)
Document Preview

[ISO/IEC TS 22924:2021](https://standards.iteh.ai/catalog/standards/iso/39e14727-d494-48d4-99ee-662253d1ca10/iso-iec-ts-22924-2021)

<https://standards.iteh.ai/catalog/standards/iso/39e14727-d494-48d4-99ee-662253d1ca10/iso-iec-ts-22924-2021>



COPYRIGHT PROTECTED DOCUMENT

© ISO/IEC 2021

All rights reserved. Unless otherwise specified, or required in the context of its implementation, no part of this publication may be reproduced or utilized otherwise in any form or by any means, electronic or mechanical, including photocopying, or posting on the internet or an intranet, without prior written permission. Permission can be requested from either ISO at the address below or ISO's member body in the country of the requester.

ISO copyright office
CP 401 • Ch. de Blandonnet 8
CH-1214 Vernier; Geneva
Phone: +41 22 749 01 11
Email: copyright@iso.org
Website: www.iso.org

Published in Switzerland

Contents

Page

Foreword	iv
Introduction	v
1 Scope	1
2 Normative references	1
3 Terms and definitions	1
4 Symbols and abbreviated terms	2
5 Architecture	4
5.1 System architecture view.....	4
5.1.1 General.....	4
5.1.2 Hosts.....	5
5.1.3 Gates.....	5
5.1.4 Pipes.....	6
5.1.5 Host controller.....	7
5.1.6 General aspects on APDU gate.....	7
5.2 System architecture with legacy COS.....	8
6 Configuration requirements	9
6.1 General.....	9
6.2 Logical components of an APDU-enabled host.....	9
6.3 Gates registry.....	9
6.3.1 General.....	9
6.3.2 Administration gate registry.....	10
6.3.3 Link management gate.....	11
6.3.4 Identity management gate.....	12
6.3.5 Loop back gate.....	12
6.3.6 APDU gate.....	13
6.3.7 APDU application gate registry.....	13
6.4 Example of exchanging APDU via HCI/HCP.....	13
6.5 APDU transport versus HCP frames.....	14
6.5.1 General.....	14
6.5.2 Chaining of T=1 message blocks wrapping HCP packets.....	15
6.5.3 Handling of error recovery with T=1 features.....	15
6.6 APDU fragmentation.....	15
6.7 Supported set of commands and events.....	15
Annex A (informative) Examples of architecture variants	16
Annex B (informative) Background information	21
Bibliography	26

Foreword

ISO (the International Organization for Standardization) and IEC (the International Electrotechnical Commission) form the specialized system for worldwide standardization. National bodies that are members of ISO or IEC participate in the development of International Standards through technical committees established by the respective organization to deal with particular fields of technical activity. ISO and IEC technical committees collaborate in fields of mutual interest. Other international organizations, governmental and non-governmental, in liaison with ISO and IEC, also take part in the work.

The procedures used to develop this document and those intended for its further maintenance are described in the ISO/IEC Directives, Part 1. In particular, the different approval criteria needed for the different types of document should be noted. This document was drafted in accordance with the editorial rules of the ISO/IEC Directives, Part 2 (see www.iso.org/directives or www.iec.ch/members_experts/refdocs).

Attention is drawn to the possibility that some of the elements of this document may be the subject of patent rights. ISO and IEC shall not be held responsible for identifying any or all such patent rights. Details of any patent rights identified during the development of the document will be in the Introduction and/or on the ISO list of patent declarations received (see www.iso.org/patents) or the IEC list of patent declarations received (see patents.iec.ch).

Any trade name used in this document is information given for the convenience of users and does not constitute an endorsement.

For an explanation of the voluntary nature of standards, the meaning of ISO specific terms and expressions related to conformity assessment, as well as information about ISO's adherence to the World Trade Organization (WTO) principles in the Technical Barriers to Trade (TBT) see www.iso.org/iso/foreword.html. In the IEC, see www.iec.ch/understanding-standards.

This document was prepared by Joint Technical Committee ISO/IEC JTC 1, *Information technology*, Subcommittee SC 17, *Cards and security devices for personal identification*.

Any feedback or questions on this document should be directed to the user's national standards body. A complete listing of these bodies can be found at www.iso.org/members.html and www.iec.ch/national-committees.

Introduction

This document is laid on the ground of ISO/IEC 7816 (all parts) specifying integrated circuit cards and the use of such cards for interchange, and on ETSI TS 102 622 defining the HCI core that is an application independent logical interface.

ETSI TS 102 622 is referenced in this document as a well-known HCI specification, however it should be noted ETSI TS 102 622 describes another host network with the host controller implemented by the CLF/NFC controller and with hosts residing on UICCs/SEs all connected to the host controller. ETSI TS 102 622 allows for other interfaces than SWP for data link layer of HCI, and does not mandate using the SWP but just describes the condition if the SWP is used.

iTeh Standards
(<https://standards.iteh.ai>)
Document Preview

[ISO/IEC TS 22924:2021](https://standards.iteh.ai/catalog/standards/iso/39e14727-d494-48d4-99ee-662253d1ca10/iso-iec-ts-22924-2021)

<https://standards.iteh.ai/catalog/standards/iso/39e14727-d494-48d4-99ee-662253d1ca10/iso-iec-ts-22924-2021>

Identification cards — Transport layer topologies — Configuration for HCI/HCP interchange

1 Scope

This document specifies the requirements for a protocol derived from HCI/HCP (see ETSI TS 102 622) enabling communication for devices regardless of data link and physical layers. This document covers the following:

- a) outline of a system comprised of one or more hosts and one controller;
- b) extension of connection topology between hosts and host controller (i.e. star topology and additional other topologies);
- c) segregation between existing system using ETSI TS 102 613 and new system compliant to this document (this document refers ETSI TS 102 613, but does not change its specification and does not use RFU).

For ETSI TS 102 622, data link layer and physical layer like SWP specified in ETSI TS 102 613 is out of the scope.

Albeit questioned in this document, the duplication of OSI transport layer by e.g. enforcing encapsulation of HCP into T=1 or the reverse, is out of the scope.

2 Normative references

The following documents are referred to in the text in such a way that some or all of their content constitutes requirements of this document. For dated references, only the edition cited applies. For undated references, the latest edition of the referenced document (including any amendments) applies.

ISO/IEC 7816-3, *Identification cards — Integrated circuit cards — Part 3: Cards with contacts — Electrical interface and transmission protocols*

ISO/IEC 7816-4, *Identification cards — Integrated circuit cards — Part 4: Organization, security and commands for interchange*

3 Terms and definitions

For the purposes of this document, the following terms and definitions apply.

ISO and IEC maintain terminological databases for use in standardization at the following addresses:

- ISO Online browsing platform: available at <https://www.iso.org/obp>
- IEC Electropedia: available at <http://www.electropedia.org/>

3.1

APDU gate

entry point to a service processing command APDU inside a *host* (3.6) or returning response APDU

3.2

APDU application gate

entry point to a service sending command APDU and retrieving correspondent response APDU

3.3

gate

entry point to a service that is operated inside a *host* (3.6)

[SOURCE: ETSI TS 102 622]

3.4

HCI network

star-topology network comprised of a *host network* (3.8) where *hosts* (3.6) are interconnected with a *host controller* (3.7) through HCI

3.5

HCP stack

layout comprised of a routing layer, a messaging layer and a collection of *gates* (3.3)

3.6

host

logical entity that operates one or more service(s)

[SOURCE: ETSI TS 102 622]

3.7

host controller

host (3.6) that is also responsible for managing a *host network* (3.8)

[SOURCE: ETSI TS 102 622]

3.8

host network

network of two or more *hosts* (3.6)

[SOURCE: ETSI TS 102 622]

3.9

managing host

host (3.6) which is in charge of resolving conflicts and interoperability issues between different contactless applications provided by different hosts

[SOURCE: ETSI TS 102 622]

3.10

pipe

logical communication channel between two *gates* (3.3) from different *hosts* (3.6)

[SOURCE: ETSI TS 102 622]

3.11

terminal host

host (3.6) allocated a static identifier HID '01'

4 Symbols and abbreviated terms

ADM_x	arbitrary command for administration gate, see ETSI TS 102 622 clause 6.1, e.g. ADM_CREATE_PIPE
APDU	application protocol data unit
API	application programming interface

ANY_x	arbitrary command for all gates, see ETSI TS 102 622 clause 6.1, e.g. ANY_OPEN_PIPE
CB	chaining bit
CLF	contactless front end
COS	card operating system
CPU	central processing unit
CRC	cyclic redundancy code
DF	dedicated file
EVT_x	arbitrary event, see ETSI TS 102 622 clause 6.3, e.g. EVT_HOT_PLUG
GID	gate identifier
HCI	host controller interface
HCP	host controller protocol
HID	host identifier
I ² C	inter-integrated circuit
ICC	integrated circuit card
IFD	interface device
IRQ	interrupt request
LRC	longitudinal redundancy code
NAD	node address
NFC	near field communication
N(S)	send sequence number
OSI	Open System Interconnection
PCB	protocol control byte
PID	pipe identifier
PPS	protocol and parameter selection
RF	radio frequency
RFU	reserved for future use
SCL	smart secure platform common layer
SE	secure element
SS	SPI slave select wire
SSP	smart secure platform
SWP	single wired protocol

- TPDU transmission protocol data unit
- UART universal asynchronous receiver and transmitter
- UICC Universal Integrated Circuit Card
- USB universal serial bus
- eSE (embedded) secure element

5 Architecture

5.1 System architecture view

5.1.1 General

This subclause describes the reference use case architecture where APDU gate fits. This architecture is based on a star topology where one or more hosts (e.g. secure element, ICC-managed device) physically connect to a component (e.g. IFD, device controller, contactless frontend) acting as a host controller. In this topology, the HCI defines the interface between hosts.

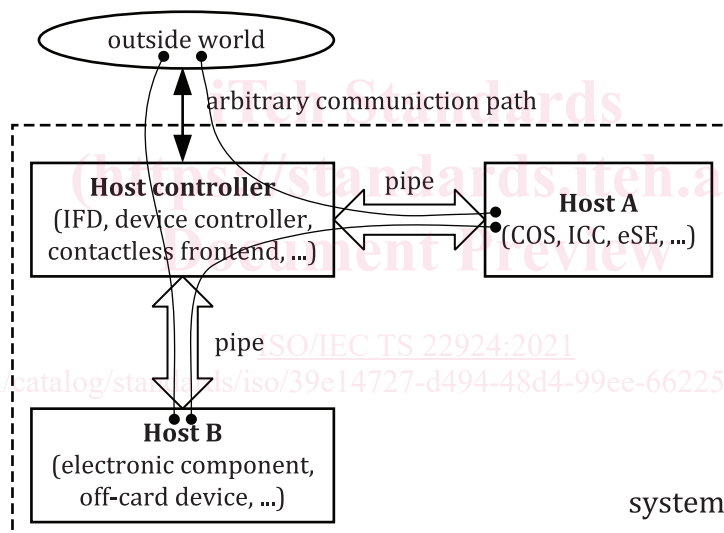


Figure 1 — System architecture for reference use case

ICC-managed devices may also make use of off-card devices (see ISO/IEC 18328-1 for use cases and ISO/IEC 18328-3:2016, Clause 7, for architecture description). The usage of ICC-managed off-card devices needs a communication with an ICC (or a secure element) through an IFD. The prerequisite for such communication is a COS or application which can handle additional devices and a host controller providing the suitable bi-directional communication means. [Figure 1](#) describes this architecture.

NOTE For simplification, drivers and interfaces are not represented on [Figure 1](#).

The reference use case on [Figure 1](#) is deployed on [Figure 2](#) over a general HCP stack. The route conveying instructions over a pipe created between the two gates is represented.

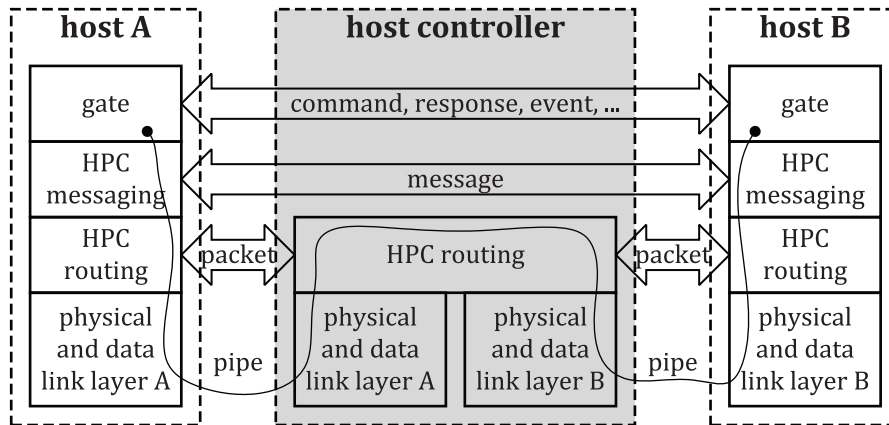


Figure 2 — HCI general stack representation

5.1.2 Hosts

This subclause contains a subset of information from ETSI TS 102 622 about hosts.

The identity of a host is coded in a byte named HID. Table 1 lists the reserved values for the HID.

Table 1 — Host identifiers

host	HID
host controller	'00'
terminal host	'01'
RFU	'02' to '7F' ^a
dynamically allocated	'80' to 'BF'
proprietary	'C0' to 'FE'
not allowed	'FF' ^b

^a In this table the value '02' is RFU whereas in ETSI TS 102 622 it is used for UICC host.
^b In this table the value 'FF' is not allowed whereas in ETSI TS 102 622 it is proprietary.

The generic term "host" is used to refer to any host (e.g. terminal host, UICC host) excluding the host controller.

The dynamically allocated range of values shall be used by the host controller to assign a HID to any host not identified in Table 1. The host controller shall always assign the same HID to a given host throughout different sessions as long as there is no modification in the hardware configuration of the device.

NOTE 1 In ETSI TS 102 622, there is no statement that a HID has to be unique.

NOTE 2 ETSI TS 102 622 does not describe how a host controller assigns an HID to a host.

5.1.3 Gates

This subclause contains a subset of information from ETSI TS 102 622 about gates.

A gate provides an entry point to a service that is operated inside a host. The HCP enables gates from different hosts to exchange messages. There are two types of gates:

- management gates that are needed for the management of the host network;
- generic gates that are not related to the management of the host network.